



Catalog

ABB component drives ACS150, 0.37 to 4 kW / 0.5 to 5 hp

ABB component drives



ABB component drives

ABB component drives are designed for machine building. These drives are components that are bought together with other components from a logistical distributor. The drives are stocked, and the number of options and variants is optimized for logistical distribution.

Highlights

- User-friendly LCD control panel and integrated potentiometer
- Flexible mounting alternatives
- Integrated EMC filter
- Inbuilt brake chopper as standard
- FlashDrop tool

Applications

- Fans
- Pumps
- Gate control
- Material handling
- Conveyors

Feature	Advantage	Benefit
User-friendly LCD control panel and integrated potentiometer	Clear alphanumeric display. Easy set-up and use.	Time savings
Flexible mounting alternatives	Screw or DIN rail mounting, sideways or side-by-side	One drive type can be used in various designs, saving installation costs and time
Integrated EMC filter	High electromagnetic compatibility	Low EMC emissions in selected environments
Inbuilt brake chopper as standard	No need for an external brake chopper	Space savings, reduced installation cost
FlashDrop tool	Faster and easier drive set up and commissioning for volume manufacturing and maintenance. The FlashDrop tool enables both downloading and uploading drive parameters.	Fast, safe and trouble-free parameter setting without the need to power-up the drive. Patented.

Technical specification



Mains connection

Voltage and power range	1-phase, 200 to 240 V \pm 10% 0.37 to 2.2 kW (0.5 to 3 hp) 3-phase, 200 to 240 V \pm 10% 0.37 to 2.2 kW (0.5 to 3 hp) 3-phase, 380 to 480 V \pm 10% 0.37 to 4 kW (0.5 to 5 hp)
Frequency	48 to 63 Hz
Power factor	0.98

Motor connection

Voltage	3-phase, from 0 to U_{supply}
Frequency	0 to 500 Hz
Continuous loading capability <small>(constant torque at a max. ambient temperature 40°C)</small>	Rated output current I_{2N}
Overload capability <small>(at a max. ambient temperature of 40°C)</small>	At heavy duty use $1.5 \times I_{2N}$ for 1 minute every 10 minutes At start $1.8 \times I_{2N}$ for 2 s
Switching frequency	
Default	4 kHz
Selectable	4 to 16 kHz with 4 kHz steps
Acceleration time	0.1 to 1800 s
Deceleration time	0.1 to 1800 s
Braking	Inbuilt brake chopper as standard

Environmental limits

Ambient temperature	-10 to 40 °C (14 to 104 °F), no frost allowed, 50 °C (122 °F) with 10% derating
Altitude	
Output current	Rated current available at 0 to 1000 m (0 to 3281 ft) reduced by 1% per 100 m (328 ft) over 1000 to 2000 m (3281 to 6562 ft)
Relative humidity	Lower than 95% (without condensation)
Degree of protection	IP20 / Optional NEMA 1 enclosure
Enclosure colour	NCS 1502-Y, RAL 9002, PMS 420 C
Contamination levels	IEC 721-3-3
Transportation	No conductive dust allowed Class 1C2 (chemical gases) Class 1S2 (solid particles)
Storage	Class 2C2 (chemical gases) Class 2S2 (solid particles)
Operation	Class 3C2 (chemical gases) Class 3S2 (solid particles)

Chokes

AC input chokes	External option. For reducing THD in partial loads and to comply with EN 61000-3-2.
AC output chokes	External option. To achieve longer motor cables.

Programmable control connections

One analog input	
Voltage signal	0 (2) to 10 V, $R_{in} > 312 \text{ k}\Omega$
Current signal	0 (4) to 20 mA, $R_{in} = 100 \Omega$
Potentiometer reference value	10 V \pm 1% max. 10 mA, $R < 10 \text{ k}\Omega$
Resolution	0.1 %
Accuracy	\pm 2%
Auxiliary voltage	24 V DC \pm 10%, max. 200 mA
Five digital inputs	12 to 24 V DC with internal or external supply, PNP and NPN, pulse train 0 to 10 kHz.
Input impedance	2.4 k Ω
One relay output	
Type	NO + NC
Maximum switching voltage	250 V AC/30 V DC
Maximum switching current	0.5 A/30 V DC; 5 A/230 V AC
Maximum continuous current	2 A rms

Product compliance

Low voltage Directive 73/23/EEC with supplements
Machinery Directive 98/37/EC
EMC Directive 89/336/EEC with supplements
Quality assurance system ISO 9001
Environmental system ISO 14001
UL, cUL, CE, C-Tick and GOST R approvals

EMC according to EN61800-3

2nd environment filter, unrestricted distribution, C3 with 30 m (98 ft) cable, inbuilt as standard.

EMC standards in general

EN 61800-3/A11 (2000), product standard	EN 61800-3 (2004), product standard	EN 55011, product family standard for industrial, scientific and medical (ISM) equipment
1 st environment, unrestricted distribution	Category C1	Group 1 Class B
1 st environment, restricted distribution	Category C2	Group 1 Class A
2 nd environment, unrestricted distribution	Category C3	Group 2 Class A
2 nd environment, restricted distribution	Category C4	Not applicable



Ratings, types, voltages and construction

Type code

In column 4 on the right is the unique reference number that clearly identifies your drive by power rating and frame size. Once you have selected the type code, the frame size (column 5) can be used to determine the drives dimensions, shown below.

Voltages

ACS150 is available in two voltage ranges:

2 = 200 - 240 V

4 = 380 - 480 V

Insert either "2" or "4", depending on your chosen voltage, into the type code shown on the right.

Construction

"01X" and "03X" within the type code varies depending on the drive phase and EMC filtering. Choose below the one you need.

01 = 1-phase

03 = 3-phase

E = EMC filter connected, 50 Hz frequency

U = EMC filter disconnected, 60 Hz frequency

(In case the filter is required it can easily be connected.)

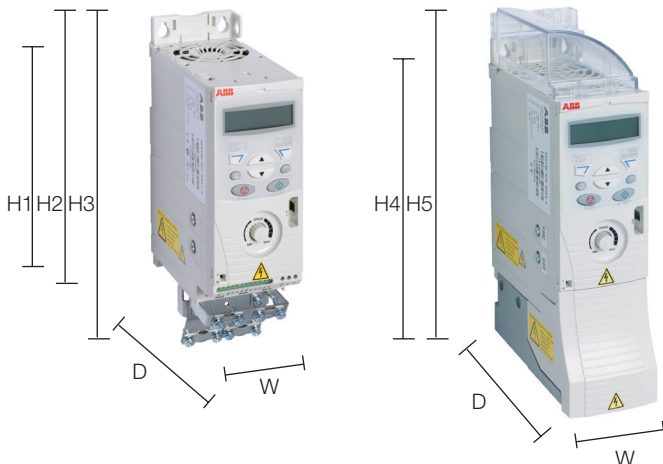
Ratings			Type code	Frame size
P_N kW	P_N hp	I_{2N} A		
1-phase supply voltage 200 - 240 V units				
0.37	0.5	2.4	ACS150-01X-02A4-2	R0
0.75	1	4.7	ACS150-01X-04A7-2	R1
1.1	1.5	6.7	ACS150-01X-06A7-2	R1
1.5	2	7.5	ACS150-01X-07A5-2	R2
2.2	3	9.8	ACS150-01X-09A8-2	R2
3-phase supply voltage 200 - 240 V units				
0.37	0.5	2.4	ACS150-03X-02A4-2	R0
0.55	0.75	3.5	ACS150-03X-03A5-2	R0
0.75	1	4.7	ACS150-03X-04A7-2	R1
1.1	1.5	6.7	ACS150-03X-06A7-2	R1
1.5	2	7.5	ACS150-03X-07A5-2	R1
2.2	3	9.8	ACS150-03X-09A8-2	R2
3-phase supply voltage 380 - 480 V units				
0.37	0.5	1.2	ACS150-03X-01A2-4	R0
0.55	0.75	1.9	ACS150-03X-01A9-4	R0
0.75	1	2.4	ACS150-03X-02A4-4	R1
1.1	1.5	3.3	ACS150-03X-03A3-4	R1
1.5	2	4.1	ACS150-03X-04A1-4	R1
2.2	3	5.6	ACS150-03X-05A6-4	R1
3	4	7.3	ACS150-03X-07A3-4	R1
4	5	8.8	ACS150-03X-08A8-4	R1

X within the type code stands for E or U.

Dimensions

Cabinet-mounted drives (UL open)

Wall-mounted drives (NEMA 1)



Frame size	IP20 UL open						NEMA 1				
	H1 mm	H2 mm	H3 mm	W mm	D mm	Weight kg	H4 mm	H5 mm	W mm	D mm	Weight kg
R0	169	202	239	70	142	1.1	257	280	70	142	1.5
R1	169	202	239	70	142	1.3	257	280	70	142	1.7
R2	169	202	239	105	142	1.5	257	282	105	142	1.9

H1 = Height without fastenings and clamping plate.

H2 = Height with fastenings but without clamping plate.

H3 = Height with fastenings and clamping plate.

H4 = Height with fastenings and NEMA 1 connection box.

H5 = Height with fastenings, NEMA 1 connection box and hood.

W = Width

D = Depth



Options

FlashDrop tool

FlashDrop is a powerful palm sized tool for fast and easy parameter selecting and setting. It gives the possibility to hide selected parameters to protect the machine. Only the parameters needed in the application are shown. The tool can copy parameters between two drives or between a PC and a drive. All the above can be done without a power connection to the drive – in fact, it is not even necessary to unpack the drive.

DrivePM

DrivePM (Drive parameter manager) is a tool to create, edit and copy parameter sets for FlashDrop.

For each parameter/group the user has a possibility to hide it, which means that the drive user does not see the parameter/group at all.

DrivePM requirements

- Windows 2000/XP
- Free serial port from a PC

FlashDrop package includes

- FlashDrop tool
- DrivePM software on a CD-rom
- User's manual in pdf-format on the previous CD-rom
- Cable for connection between the PC and FlashDrop
- Battery charger



Brake resistors

The brake resistor is selected using the respective table. For more information about the selection of brake resistors, see the ACS150 User's Manual.

ACS150 is delivered with an integrated brake chopper as standard. No additional space or installation time is needed.

Selection table

Type code	Frame size	R_{min} ohm	R_{max} ohm	P_{BRmax} kW	hp
1-phase supply voltage 200 - 240 V units					
ACS150-01X-02A4-2	R0	70	390	0.37	0.5
ACS150-01X-04A7-2	R1	40	200	0.75	1
ACS150-01X-06A7-2	R1	40	130	1.1	1.5
ACS150-01X-07A5-2	R2	30	100	1.5	2
ACS150-01X-09A8-2	R2	30	70	2.2	3
3-phase supply voltage 200 - 240 V units					
ACS150-03X-02A4-2	R0	70	390	0.37	0.5
ACS150-03X-03A5-2	R0	70	260	0.55	0.75
ACS150-03X-04A7-2	R1	40	200	0.75	1
ACS150-03X-06A7-2	R1	40	130	1.1	1.5
ACS150-03X-07A5-2	R1	30	100	1.5	2
ACS150-03X-09A8-2	R2	30	70	2.2	3
3-phase supply voltage 380 - 480 V units					
ACS150-03X-01A2-4	R0	200	1180	0.37	0.5
ACS150-03X-01A9-4	R0	175	800	0.55	0.75
ACS150-03X-02A4-4	R1	165	590	0.75	1
ACS150-03X-03A3-4	R1	150	400	1.1	1.5
ACS150-03X-04A1-4	R1	130	300	1.5	2
ACS150-03X-05A6-4	R1	100	200	2.2	3
ACS150-03X-07A3-4	R1	70	150	3	4
ACS150-03X-08A8-4	R1	70	110	4	5

X within the type code stands for E or U.

Input and output chokes

For input and output chokes, please contact your nearest ABB drives channel partner or local ABB office.

Protection class NEMA 1

The NEMA 1 kit includes a connection box for finger protection, conduit tube installation, and a hood for protection against dirt and dust.



Technical data

Cooling

ACS150 is fitted with cooling fans as standard. The cooling air must be free from corrosive substances and must not be above the maximum ambient temperature of 40 °C (50 °C with derating). For more specific limits see the Technical specification - Environmental limits in this catalogue.

Cooling air flow

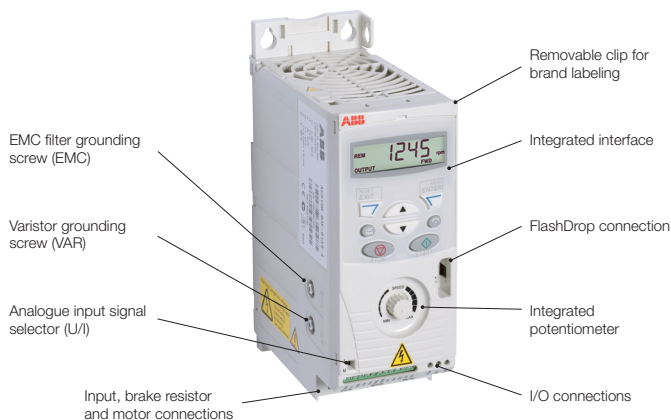
Type code	Frame size	Heat dissipation		Air flow	
		w	BTU/Hr	m ³ /h	ft ³ /min
1-phase supply voltage 200 - 240 V units					
ACS150-01X-02A4-2	R0	25	85	-*)	-*)
ACS150-01X-04A7-2	R1	46	157	24	14
ACS150-01X-06A7-2	R1	71	242	24	14
ACS150-01X-07A5-2	R2	73	249	21	12
ACS150-01X-09A8-2	R2	96	328	21	12
3-phase supply voltage 200 - 240 V units					
ACS150-03X-02A4-2	R0	19	65	-*)	-*)
ACS150-03X-03A5-2	R0	31	106	-*)	-*)
ACS150-03X-04A7-2	R1	38	130	24	14
ACS150-03X-06A7-2	R1	60	205	24	14
ACS150-03X-07A5-2	R1	62	212	21	12
ACS150-03X-09A8-2	R2	83	283	21	12
3-phase supply voltage 380 - 480 V units					
ACS150-03X-01A2-4	R0	11	38	-*)	-*)
ACS150-03X-01A9-4	R0	16	55	-*)	-*)
ACS150-03X-02A4-4	R1	21	72	13	8
ACS150-03X-03A3-4	R1	31	106	13	8
ACS150-03X-04A1-4	R1	40	137	13	8
ACS150-03X-05A6-4	R1	61	208	19	11
ACS150-03X-07A3-4	R1	74	253	24	14
ACS150-03X-08A8-4	R1	94	321	24	14

X within the type code stands for E or U.
*) Frame size R0 with free convection cooling.

Free space requirements

Enclosure type	Space above mm	Space below mm	Space on left/right mm
All frame sizes	75	75	0

Interface and control connections



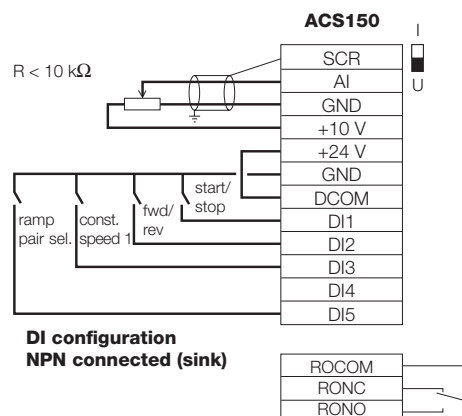
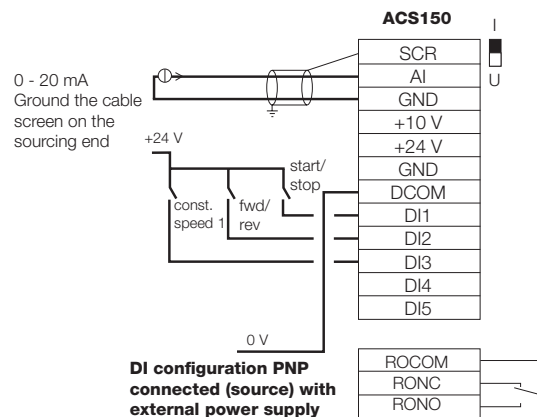
Fuses

Standard fuses can be used with ABB component drives. For input fuse connections see table below.

Selection table

Type code	Frame size	IEC Fuses		UL Fuses	
		A	Fuse type ^{*)}	A	Fuse type ^{*)}
1-phase supply voltage 200 - 240 V units					
ACS150-01X-02A4-2	R0	10	gG	10	UL class T
ACS150-01X-04A7-2	R1	16	gG	20	UL class T
ACS150-01X-06A7-2	R1	20	gG	25	UL class T
ACS150-01X-07A5-2	R2	25	gG	30	UL class T
ACS150-01X-09A8-2	R2	35	gG	35	UL class T
3-phase supply voltage 200 - 240 V units					
ACS150-03X-02A4-2	R0	10	gG	10	UL class T
ACS150-03X-03A5-2	R0	10	gG	10	UL class T
ACS150-03X-04A7-2	R1	10	gG	15	UL class T
ACS150-03X-06A7-2	R1	16	gG	15	UL class T
ACS150-03X-07A5-2	R1	16	gG	15	UL class T
ACS150-03X-09A8-2	R2	16	gG	20	UL class T
3-phase supply voltage 380 - 480 V units					
ACS150-03X-01A2-4	R0	10	gG	10	UL class T
ACS150-03X-01A9-4	R0	10	gG	10	UL class T
ACS150-03X-02A4-4	R1	10	gG	10	UL class T
ACS150-03X-03A3-4	R1	10	gG	10	UL class T
ACS150-03X-04A1-4	R1	16	gG	15	UL class T
ACS150-03X-05A6-4	R1	16	gG	15	UL class T
ACS150-03X-07A3-4	R1	16	gG	20	UL class T
ACS150-03X-08A8-4	R1	20	gG	25	UL class T

X within the type code stands for E or U.
*) According to IEC-60269 standard.



Contact and web information

www.abb.com/drives



ABB's worldwide presence is built on strong local companies working together with the channel partner network. By combining the experience and know-how gained in local and global markets, we ensure that our customers in all industries can gain the full benefit from our products.

For further details about all our low voltage AC drives and services please contact your nearest ABB office or ABB drives channel partner or visit the websites www.abb.com/drives and www.abb.com/drivespartners.

Albania (Tirana)

Tel: +355 42 241 492
Fax: +355 42 234 368

Algeria

Tel: +213 21 553 860
Fax: +213 21 552 330

Argentina (Valentin Alsina)

Tel: +54 11 4229 5500
Fax: +54 11 4229 5784

Australia (Victoria - Notting Hill)

Tel: +1800 222 435
Tel: +61 3 8544 0000
e-mail: drives@au.abb.com

Austria (Vienna)

Tel: +43 1 60109 0
Fax: +43 1 60109 8312

Azerbaijan (Baku)

Tel: +994 12 404 5200
Fax: +994 12 404 5202

Bahrain (Manama)

Tel: +973 725 377
Fax: +973 725 332

Bangladesh (Dhaka)

Tel: +88 02 8856468
Fax: +88 02 8850906

Belarus (Minsk)

Tel: +375 228 12 40, 228 12 42
Fax: +375 228 12 43

Belgium (Zaventem)

Tel: +32 2 718 6320
Fax: +32 2 718 6664

Bolivia (La Paz)

Tel: +591 2 278 8181
Fax: +591 2 278 8184

Bosnia Herzegovina (Tuzla)

Tel: +387 35 246 020
Fax: +387 35 255 098

Brazil (Osasco)

Tel: 0800 114 9111
Tel: +55 11 3688 9282
Fax: +55 11 3688 9421

Bulgaria (Sofia)

Tel: +359 2 807 5500
Fax: +359 2 807 5599

Canada (Montreal)

Tel: +1 514 420 3100
Fax: +1 514 420 3138

Chile (Santiago)

Tel: +56 2 471 4391
Fax: +56 2 471 4399

China (Beijing)

Tel: +86 10 5821 7788
Fax: +86 10 5821 7618

Colombia (Bogotá)

Tel: +57 1 417 8000
Fax: +57 1 413 4086

Costa Rica (San Jose)

Tel: +506 288 5484
Fax: +506 288 5482

Croatia (Zagreb)

Tel: +385 1 600 8550
Fax: +385 1 619 5111

Czech Republic (Prague)

Tel: +420 234 322 327
e-mail: motors&drives@cz.abb.com

Denmark (Skovlunde)

Tel: +45 44 504 345
Fax: +45 44 504 365

Dominican Republic (Santo Domingo)

Tel: +809 562 9010
Fax: +809 562 9011

Ecuador (Quito)

Tel: +593 2 2500 645
Fax: +593 2 2500 650

Egypt (Cairo)

Tel: +202 2 6251630
drives@eg.abb.com

El Salvador (San Salvador)

Tel: +503 2264 5471
Fax: +503 2264 2497

Estonia (Tallinn)

Tel: +372 6801 800
e-mail: info@ee.abb.com

Ethiopia (Addis Abeba)

Tel: +251 1 669506, 669507
Fax: +251 1 669511

Finland (Helsinki)

Tel: +358 10 22 11
Tel: +358 10 222 1999
Fax: +358 10 222 2913

France (Montluel)

Tel: +33 (0)4 37 40 40 00
Fax: +33 (0)4 37 40 40 72

Germany (Ladenburg)

Tel: +01805 222 580 (Service)
Tel: +49 (0)6203 717 717
Fax: +49 (0)6203 717 600

Greece (Athens)

Tel: +30 210 289 1 651
Fax: +30 210 289 1 792

Guatemala (Guatemala City)

Tel: +502 2 363 3814
Fax: +502 2 363 3624

Hungary (Budapest)

Tel: +36 1 443 2224
Fax: +36 1 443 2144

India (Bangalore)

Tel: +91 80 2294 9585
Fax: +91 80 2294 9389

Indonesia (Jakarta)

Tel: +62 21 2551 5555
e-mail: automation@id.abb.com

Iran (Tehran)

Tel: +98 21 2222 5120
Fax: +98 21 2222 5157

Ireland (Dublin)

Tel: +353 1 405 7300
Fax: +353 1 405 7307

Israel (Haifa)

Tel: +972 4 850 2111
Fax: +972 4 850 2112

Italy (Milan)

Tel: +39 02 2414 3085
Fax: +39 02 2414 3979

Ivory Coast (Abidjan)

Tel: +225 21 21 7575
Fax: +225 21 35 0414

Japan (Tokyo)

Tel: +81(0)3 5784 6010
Fax: +81(0)3 5784 6275

Jordan (Amman)

Tel: +962 6 562 0181
Fax: +962 6 5621369

Kazakhstan (Almaty)

Tel: +7 727 2583838
Fax: +7 727 2583839

Kenya (Nairobi)

Tel: +254 20 828811/13 to 20
Fax: +254 20 828812/21

Kuwait (Kuwait city)

Tel: +965 2428626 ext. 106
Fax: +965 2403139

Latvia (Riga)

Tel: +371 7 063 600
Fax: +371 7 063 601

Lithuania (Vilnius)

Tel: +370 5 273 8300
Fax: +370 5 273 8333

Luxembourg (Leudelange)

Tel: +352 493 116
Fax: +352 492 859

Macedonia (Skopje)

Tel: +389 23 118 010
Fax: +389 23 118 774

Malaysia (Kuala Lumpur)

Tel: +603 5628 4888
Fax: +603 5635 8200

Mauritius (Port-Louis)

Tel: +230 208 7644, 211 8624
Fax: +230 211 4077

Mexico (Mexico City)

Tel: +52 (55) 5328 1400 ext. 3008
Fax: +52 (55) 5328 7467

Morocco (Casablanca)

Tel: +212 2 234 5540
Fax: +212 2 234 2099

The Netherlands (Rotterdam)

Tel: +31 (0)10 407 8886
e-mail: freqconv@nl.abb.com

New Zealand (Auckland)

Tel: +64 9 356 2160
Fax: +64 9 357 0019

Nigeria (Ikeja, Lagos)

Tel: +234 1 4937 347
Fax: +234 1 4937 329

Norway (Oslo)

Tel: +47 03500
motor@no.abb.com

Oman (Muscat)

Tel: +968 2456 7410
Fax: +968 2456 7406

Pakistan (Lahore)

Tel: +92 42 6315 882-85
Fax: +92 42 6368 565

Panama (Panama City)

Tel: +507 209 5400, 2095408
Fax: +507 209 5401

Peru (Lima)

Tel: +51 1 415 5100
Fax: +51 1 561 2902

The Philippines (Metro Manila)

Tel: +63 2 821 7777
Fax: +63 2 823 0309, 824 4637

Poland (Lodz)

Tel: +48 42 299 3000
Fax: +48 42 299 3340

Portugal (Oeiras)

Tel: +351 21 425 6000
Fax: +351 21 425 6390, 425 6354

Qatar (Doha)

Tel: +974 4253888
Fax: +974 4312630

Romania (Bucharest)

Tel: +40 21 310 4377
Fax: +40 21 310 4383

Russia (Moscow)

Tel: +7 495 960 22 00
Fax: +7 495 960 22 20

Saudi-Arabia (Al Khobar)

Tel: +966 (0)3 882 9394, ext. 240, 254, 247
Fax: +966 (0)3 882 4603

Senegal (Dakar)

Tel: +221 832 1242, 832 3466
Fax: +221 832 2057, 832 1239

Serbia (Belgrade)

Tel: +381 11 3094 320, 3094 300
Fax: +381 11 3094 343

Singapore (Singapore)

Tel: +65 6776 5711
Fax: +65 6778 0222

Slovakia (Banska Bystrica)

Tel: +421 48 410 2324
Fax: +421 48 410 2325

Slovenia (Ljubljana)

Tel: +386 1 2445 440
Fax: +386 1 2445 490

South Africa (Johannesburg)

Tel: +27 11 617 2000
Fax: +27 11 908 2061

South Korea (Seoul)

Tel: +82 2 528 2794
Fax: +82 2 528 2338

Spain (Barcelona)

Tel: +34 (9)3 728 8500
Fax: +34 (9)3 728 7659

Sri Lanka (Colombo)

Tel: +94 11 2399304/6
Fax: +94 11 2399303

Sweden (Västerås)

Tel: +46 (0)21 32 5000
Fax: +46 (0)21 14 8671

Switzerland (Zürich)

Tel: +41 (0)58 586 0000
Fax: +41 (0)58 586 0603

Syrian Arab Republic

Tel: +963 11 212 7018 / 9551
Fax: +963 11 212 8614

Taiwan (Taipei)

Tel: +886 2 2577 6090
Fax: +886 2 2577 9467, 2577 9434

Tanzania (Dar es Salaam)

Tel: +255 51 2136750, 2136751, 2136752
Fax: +255 51 2136749

Thailand (Bangkok)

Tel: +66 (0)2665 1000
Fax: +66 (0)2665 1042

Tunisia (Tunis)

Tel: +216 71 860 366
Fax: +216 71 860 255

Turkey (Istanbul)

Tel: +90 216 528 2200
Fax: +90 216 365 2944

Uganda (Nakasero, Kampala)

Tel: +256 41 348 800
Fax: +256 41 348 799

Ukraine (Kiev)

Tel: +380 44 495 22 11
Fax: +380 44 495 22 10

The United Arab Emirates (Dubai)

Tel: +971 4 3147500, 3401777
Fax: +971 4 3401771, 3401539

United Kingdom (Daresbury, Warrington)

Tel: +44 1925 741 111
Fax: +44 1925 741 693

Uruguay (Montevideo)

Tel: +598 2 707 7300
Tel: +598 2 707 7466

USA (New Berlin)

Tel: +1 800 752 0696
Tel: +1 262 785 3200
Fax: +1 262 785 0397

Venezuela (Caracas)

Tel: +58 212 2031949
Fax: +58 212 237 6270

Vietnam (Hochiminh)

Tel: +84 8 8237 972
Fax: +84 8 8237 970

Zimbabwe (Harare)

Tel: +263 4 369 070
Fax: +263 4 369 084

Contact us



441 024
Printed matter
ABB09_01xx/2009

www.abb.com/drives
www.abb.com/drivespartners

© Copyright 2009 ABB. All rights reserved. 3AFE68596114 REV D EN 8.4.2009 Specifications subject to change without notice #13551.