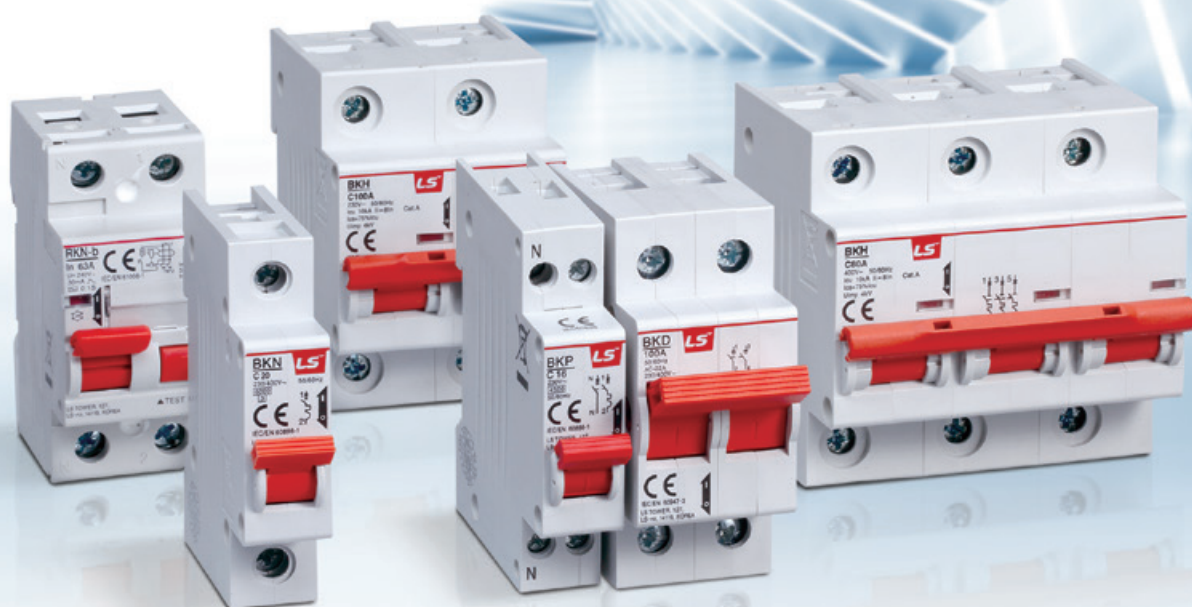


Derwent  
Top 100  
Global  
Innovator  
2020

# Miniature Circuit Breakers & Residual Current Devices



**LS** ELECTRIC

# MCB & RCCB

Miniature Circuit Breakers & Residual Current Devices

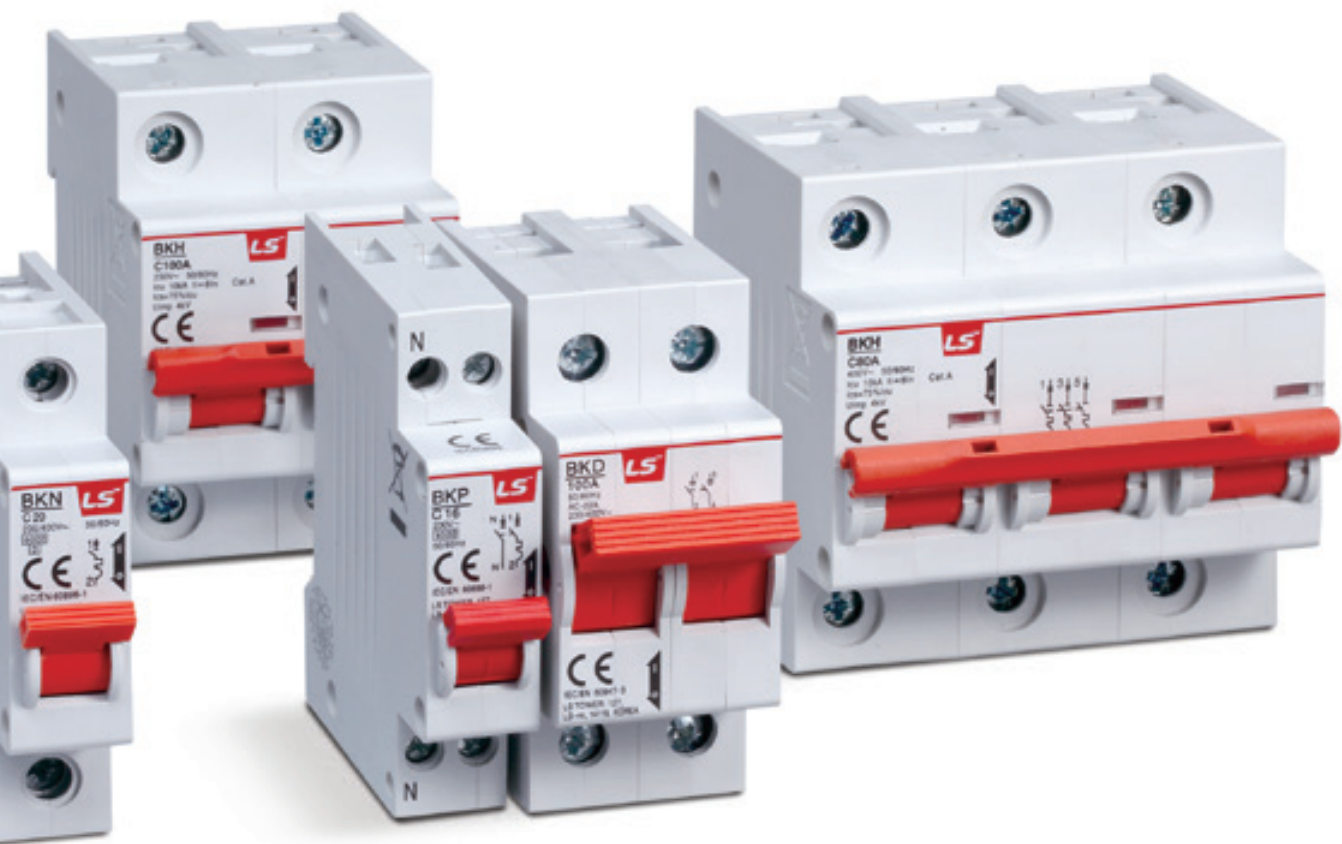
The best solution for perfect safety environment,  
customer satisfaction through best quality and service,  
LS produces the world's best products.

Suitable for protection against overload & short circuit(BKN, BKH, BKP, BF series)  
ground fault & over circuit(RKP, RKS) ground fault(RKN) surge protect device(BKS)  
1, 2, 3, 4 poles & isolator 35mm DIN rail mounting & Plug-in types rated voltage  
230/400V characteristics: B, C, D according to IEC 60898-1 for MCB accessories:  
auxiliary switch CE, KEMA, SEMKO, CQC/CCC, SABS, SASO, GOST, UL1077, SNI



## Contents



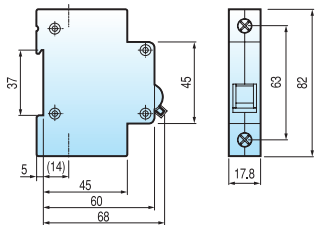
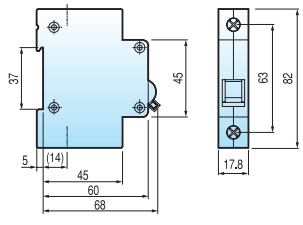
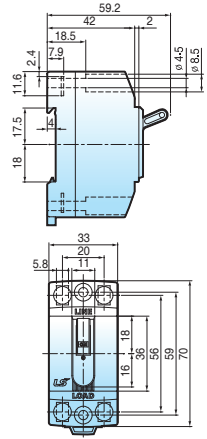
- 04 Quick selection table
- 08 Main characteristics
  - 08 MCB-Miniature Circuit Breakers
  - 32 RCBO-Residual Current Circuit Breakers with Overcurrent protection
  - 42 RCCB-Residual Current Circuit Breakers
  - 45 Isolator
  - 46 60mm depth Miniature Circuit Breakers
  - 48 Standard busbars
- 49 Characteristics curves & temperature compensation
- 52 Overall dimensions



# Miniature Circuit Breakers

## 1, 2, 3 and 4 pole series up to 125AF [IEC 60898-1, IEC 60947-2]



Type	MCB						
	BKN	BKN-c	BKN-b		BS32c	BS32d	
Protection	Overload and short circuit		Overload and short circuit		Overload and short circuit		
Rated current	1, 2, 3, 4, 6, 10, 13, 16, 20, 25, 32, 40, 50, 63A		1, 2, 3, 4, 6, 10, 16, 20, 25, 32, 40, 50, 63A		6, 10, 15, 20, 30A	10, 15, 20, 30A	
Characteristic	B, C, D curve	B, C, curve	B, C, D curve		-	-	
Poles	1P, 1P+N, 2P, 3P, 3P+N, 4P	1P, 2P, 3P, 4P	1P, 1P+N, 2P, 3P, 3P+N, 4P		-	-	
Breaking capacity	1pole	2~4pole	1pole	2~4pole	2pole		
	1A ~ 63A 6kA at 230/400VAC	1A ~ 63A 6kA at 400VAC	1A ~ 63A 10kA at 240/415VAC	1A ~ 63A 10kA at 415VAC	1.5kA	2.5kA	
Standard	IEC 60898-1		IEC 60898-1		IEC 60898-1, KS		
Approval	CCC, SABS, SEMKO CB	SEMKO CB	KEMA CB, SABS, CE		CCC	-	
Type of trip	Thermal magnetic release		Thermal magnetic release		-	-	
Endurance	Electrical	4,000 operations		4,000 operations		4,000 operations	
	Mechanical	10,000 operations		10,000 operations		10,000 operations	
Mount	On 35mm DIN rail		On 35mm DIN rail		DIN rail / Screw		
Width	17.8mm per pole		17.8mm per pole		33mm per pole		
Terminal	Lug type (Cable up to 25mm <sup>2</sup> )	Dual type (Lug & Screw)	Lug type (Cable up to 25mm <sup>2</sup> )		Screw clamp type (Cable up to 5.5mm <sup>2</sup> )		
Auxiliary switch, AX & AL Optional	 <p>1 changeover contact 6A at 240VAC, 3A at 415VAC (AX) 6A at 230VAC, 3A at 415VAC (AL) 2A at 48VDC, 1A at 125VDC Lug terminal Cable capacity 2.5mm<sup>2</sup> 9mm wide *Only for BKN</p>		 <p>1 changeover contact 6A at 240VAC, 3A at 415VAC (AX/ AL) 6A at 24VDC, 2A at 48VDC, 1A at 130VDC Lug terminal Cable capacity 0.75~2.5mm<sup>2</sup> 8.8mm wide</p>				
Dimension							
Characteristic curve	See page 45		See page 45		-		
Remarks	-		-		-		



		MCB					
		BKH	BKP	BF-a	BF-c	BFN	
		Overload and short circuit	Overload and short circuit	Overload and short circuit		Overload and short circuit	
		63, 80, 100, 125A	3, 6, 10, 16, 20, 25, 32A	10~100A		5, 10, 15, 20, 30, 40, 50A	
		C, D curve	B, C, D curve	-		-	
		1P, 2P, 3P, 3P+N, 4P	1P+N	1p, 2p, 3p		1p, 2p, 3p	
		1pole	-	-		1pole	2~3pole
		63A ~ 125A 10kA at 230VAC	3A ~ 32A 4.5kA at 230VAC	10A~100A 10kA at 240VAC 2.5kA at 415VAC	10A~100A 5kA at 240VAC 2.5kA at 415VAC	5A~50A 10kA at 230VAC	5A~50A 10kA at 400VAC
		IEC 60947-2	IEC 60898-1	IEC 60947-2		IEC 60947-2	
		CCC, SEMKO CB, SABS, CE	CCC, SEMKO CB, SABS, CE	-		SEMKO CB, CE	
		Thermal magnetic release	Thermal magnetic release	Thermal magnetic release		Thermal magnetic release	
		1,500 operations	4,000 operations	1,500 operations		1,500 operations	
		10,000 operations	10,000 operations	10,000 operations		10,000 operations	
		On 35mm DIN rail	On 35mm DIN rail	Holder mounting (Bolt on with fixing brackets)		Plug-in	
		27mm per pole	17.8mm	25mm per pole		25mm per pole	
		Lug type (Cable up to 50mm <sup>2</sup> )	Lug type (Cable up to 10mm <sup>2</sup> )	Clamp type		Lug type (14-6 AWG.)	
		See page 45	See page 45	See page 46		See page 47	
		IEC 60947-2 (SABS)	-	-		-	

# Residual Current Circuit Breakers

## 1, 2 and 4pole series up to 125AF



Type	RCBO					
	RKP	RKS	RKS-b	RKC	32KGRc	32KGRd
Protection	Ground fault and overcurrent	Ground fault and overcurrent	Ground fault and overcurrent	Ground fault and overcurrent	Ground fault and overcurrent	
Rated current	3 (C, D curve), 6, 10, 16, 20, 25, 32A (B, C, D curve)	6, 10, 16, 20, 25, 32A (40, 50A)* (B, C curve)		6, 10, 16, 20, 25, 32A (B, C curve)	15, 20, 30A	
Rated residual current	-	-		-	-	
Operating, $I_{\Delta n}$	30, 100, 300mA (Non-adjustable)	30, 100mA (Non-adjustable)		10, 30mA (Non-adjustable)	15, 30mA (Non-adjustable)	
Non-operating, $I_{\Delta no}$	$0.5I_{\Delta n}$	$0.5I_{\Delta n}$		$0.5I_{\Delta n}$	$0.5I_{\Delta n}$	
Poles	1P+N	1P+N		1P+N	2pole	
Rated voltage	230VAC	230VAC	240VAC	240VAC	110/240VAC	
Residual current off-time	$\leq 0.1$ sec.	$\leq 0.3$ sec.		$\leq 0.1$ sec	$\leq 0.03$ sec	
Standard	IEC 61009	IEC 61009		IEC 61009	IEC 61009, KS	
Approval	CCC, SEMKO CB, CE, SABS	SEMKO CB, CE, SABS	SEMKO CB, CE	SEMKO CB, CE	CCC	
Type of trip	-	-		-	-	
Ground fault	Electronic	Electronic		Electronic	Electronic	
Overcurrent	Thermal-magnetic	Thermal-magnetic		Thermal-magnetic	Bimetallic	
Breaking capacity	4.5kA	10kA		6kA (32A 4.5kA)	1.5kA	2.5kA
Conditional short circuit capacity	-	-		-	-	
Endurance	Electrical	4,000 operations		4,000 operations	4,000 operations	
Mechanical	10,000 operations	10,000 operations		10,000 operations	10,000 operations	
Mount	On 35mm DIN rail	On 35mm DIN rail		On 35mm DIN rail	On 35mm DIN rail / Screw	
Width	35.6mm	18mm		18mm	35mm	
Terminal	Lug type (Cable up to 10mm <sup>2</sup> )	Lug type (Cable up to 10mm <sup>2</sup> )		Lug type (Cable up to 10mm <sup>2</sup> )	Screw clamp type, (Cable up to 5.5mm <sup>2</sup> )	
Type of operation	AC	AC		A/AC	-	
Dimension						
Characteristic curve	See page 45	See page 45		-	-	

\* 40, 50A are available only for RKS-b



		RCCB			Isolator	
		32GRhc	32GRhd	RKN	RKN-b	BKD
		Ground fault and overcurrent		Ground fault		-
		15, 20, 30A		25, 32, 40, 63A	63AF 25, 40, 63A	100AF 80, 100A
		-		-		-
		15, 30mA (Non-adjustable)		30, 100, 300mA (Non-adjustable)		-
		0.5I <sub>Δn</sub>		0.5I <sub>Δn</sub>		-
		2pole		1P+N, 3P+N		1p, 2p, 3p, 4p
		110/220VAC		240VAC (1P+N), 240/415V (3P+N)		230/400VAC
		≤0.03 sec		≤0.1 sec		-
		KS		IEC 61008		IEC 60947-3
		-		SEMKO CB, CE, SABS, CCC	SEMKO CB, CE, SABS	SABS, SEMKO CB
		-		-		-
		Electronic		Electro-magnetic		-
		Bimetallic		N.A		-
		1.5kA	2.5kA	-		-
		-		6kA	10kA	-
		4,000 operations		4,000 operations		1,500 operations (125A 1,000 operations)
		10,000 operations		10,000 operations		10,000 operations
		On 35mm DIN rail / Screw		On 35mm DIN rail		On 35mm DIN rail
		33mm		-		17.8mm per pole
		Screw clamp type (Cable up to 5.5mm <sup>2</sup> )		Lug type (Cable up to 35mm <sup>2</sup> )		Lug type (Cable up to 50mm <sup>2</sup> )
		-		A/AC	A/AC	AC
		-		-		-

# Miniature Circuit Breakers

## DIN rail mounting

### BKP type

CE 4500

CE  
Certificate



BKP 1P+N

#### Technical data

Standard	Confirming to IEC 60898-1
Approval	CCC, SEMKO CB, CE, SABS
Protection	Overload and short circuit
Rated current	3, 6, 10, 16, 20, 25, 32A
Rated voltage	230VAC
Breaking capacity	4.5kA
Characteristic	B, C, D curve
Number of poles	1P+N
Type of trip	Thermal magnetic release
Type of terminal	Lug type
Terminal capacity	Cables up to 10mm <sup>2</sup>
Installation	Mounting on 35mm DIN rail
Width	17.8mm per pole
Electrical endurance	4,000 operations

#### Order No.

Pole	Type	In	Model	Order No.	Pack. unit (Pcs.)	Price	
1P+N	B curve	3A	BKP B3A	06120302R0	120		
		6A	BKP B6A	06120228R0	120		
		10A	BKP B10A	06120229R0	120		
		16A	BKP B16A	06120230R0	120		
		20A	BKP B20A	06120231R0	120		
		25A	BKP B25A	06120303R0	120		
	C curve	3A	BKP C3A	06120307R0	120		
		6A	BKP C6A	06120235R0	120		
		10A	BKP C10A	06120236R0	120		
		16A	BKP C16A	06120237R0	120		
		20A	BKP C20A	06120238R0	120		
		25A	BKP C25A	06120309R0	120		
	D curve	3A	BKP D3A	06120308R0	120		
		6A	BKP D6A	06120242R0	120		
		10A	BKP D10A	06120243R0	120		
		16A	BKP D16A	06120244R0	120		
		20A	BKP D20A	06120245R0	120		
		25A	BKP D25A	06120311R0	120		
			32A	BKP D32A	06120246R0	120	





BKN 2P

## BKN type



### Technical data

Standard	Confirming to IEC 60898-1	
Approval	CCC, SABS, SEMKO CB, CE	
Protection	Against overload and short circuit	
Rated current	1, 2, 3, 4, 6, 10, 13, 16, 20, 25, 32, 40, 50, 63A	
Rated voltage	1pole 230/400VAC 50/60Hz 2, 3, 4pole 400VAC 50/60Hz	
Breaking capacity	6kA	
Characteristic	B, C, D curve	
Number of poles	1P, 1P+N, 2P, 3P, 3P+N and 4P	
Type of trip	Thermal-magnetic release	
Type of terminal	Lug type	
Terminal capacity	Cables up to 25mm <sup>2</sup>	
Installation	Mounting on 35mm DIN rail	
Width	17.8mm per pole	
Electrical endurance	—	
In	1 ... 32A	40 ... 63A
Endurance	4,000 operations	4,000 operations
Max. frequency (Cycles/hour)	240	120

### Optional accessories ... Auxiliary switch, AX



Composition	Consists of 1 changeover contact	
Rating	AC circuit 6A at 240VAC 3A at 415VAC	DC circuit 2A at 48VDC 1A at 125VDC
Type of terminal	Lug type	
Terminal capacity	Cables up to 2.5mm <sup>2</sup>	
Width	9mm	

### Optional accessories ... Auxiliary switch, AL



Composition	Consists of 1 changeover contact	
Rating	AC circuit 6A at 230VAC 3A at 415VAC	DC circuit 2A at 48VDC 1A at 125VDC
Type of terminal	Lug type	
Terminal capacity	Cables up to 2.5mm <sup>2</sup>	
Width	9mm	

Attach to the left side of BKN. Possible to attach only one AX or AL.

### Optional accessories ... Shunt trip device, SHT



Rated voltage (Ue)	AC 24V, AC110-415V
Operate voltage range	70-100% Ue
Width	18mm

### Optional accessories ... Over/Under voltage trip device, OVT/UVT



Rated Voltage (Ue)	AC 230V
Over-voltage tripping range	280V ±5%
Under-voltage tripping range	170V ±5%
Width	18mm

Attach to the right side of BKN. Possible to attach only one SHUNT or UVT/OVT.  
SHT or UVT accessory are not tripped when zero voltage.

# Miniature Circuit Breakers

## DIN rail mounting

### BKN type, B curve



BKN 1P

#### 6kA at 230/400VAC

In	Model	Order No.	Pack. unit (Pcs.)	Price
1A	BKN 1P B1A	06110086R0	120	
2A	BKN 1P B2A	06110087R0	120	
3A	BKN 1P B3A	06110088R0	120	
4A	BKN 1P B4A	06110089R0	120	
6A	BKN 1P B6A	06110090R0	120	
10A	BKN 1P B10A	06110091R0	120	
13A	BKN 1P B13A	06112094R0	120	
16A	BKN 1P B16A	06110092R0	120	
20A	BKN 1P B20A	06110093R0	120	
25A	BKN 1P B25A	06110094R0	120	
32A	BKN 1P B32A	06110095R0	120	
40A	BKN 1P B40A	06110096R0	120	
50A	BKN 1P B50A	06110097R0	120	
63A	BKN 1P B63A	06110098R0	120	



BKN 1P+N

#### 6kA at 230/400VAC

In	Model	Order No.	Pack. unit (Pcs.)	Price
A	BKN 1P+N B1A	06120250R0	60	
2A	BKN 1P+N B2A	06120251R0	60	
3A	BKN 1P+N B3A	06120252R0	60	
4A	BKN 1P+N B4A	06120253R0	60	
6A	BKN 1P+N B6A	06120254R0	60	
10A	BKN 1P+N B10A	06120255R0	60	
13A	BKN 1P+N B13A	06122285R0	60	
16A	BKN 1P+N B16A	06120256R0	60	
20A	BKN 1P+N B20A	06120257R0	60	
25A	BKN 1P+N B25A	06120258R0	60	
32A	BKN 1P+N B32A	06120259R0	60	
40A	BKN 1P+N B40A	06120260R0	60	
50A	BKN 1P+N B50A	06120261R0	60	
63A	BKN 1P+N B63A	06120262R0	60	



BKN 2P

#### 6kA at 400VAC

In	Model	Order No.	Pack. unit (Pcs.)	Price
1A	BKN 2P B1A	06120263R0	60	
2A	BKN 2P B2A	06120264R0	60	
3A	BKN 2P B3A	06120265R0	60	
4A	BKN 2P B4A	06120266R0	60	
6A	BKN 2P B6A	06120267R0	60	
10A	BKN 2P B10A	06120268R0	60	
13A	BKN 2P B13A	06122288R0	60	
16A	BKN 2P B16A	06120269R0	60	
20A	BKN 2P B20A	06120270R0	60	
25A	BKN 2P B25A	06120271R0	60	
32A	BKN 2P B32A	06120272R0	60	
40A	BKN 2P B40A	06120273R0	60	
50A	BKN 2P B50A	06120274R0	60	
63A	BKN 2P B63A	06120275R0	60	

## BKN type, B curve



BKN 3P

### 6kA at 400VAC

In	Model	Order No.	Pack. unit (Pcs.)	Price
1A	BKN 3P B1A	06130066R0	40	
2A	BKN 3P B2A	06130067R0	40	
3A	BKN 3P B3A	06130068R0	40	
4A	BKN 3P B4A	06130069R0	40	
6A	BKN 3P B6A	06130070R0	40	
10A	BKN 3P B10A	06130071R0	40	
13A	BKN 3P B13A	06130963R0	40	
16A	BKN 3P B16A	06130072R0	40	
20A	BKN 3P B20A	06130073R0	40	
25A	BKN 3P B25A	06130074R0	40	
32A	BKN 3P B32A	06130075R0	40	
40A	BKN 3P B40A	06130076R0	40	
50A	BKN 3P B50A	06130077R0	40	
63A	BKN 3P B63A	06130078R0	40	



BKN 3P+N

### 6kA at 400VAC

In	Model	Order No.	Pack. unit (Pcs.)	Price
1A	BKN 3P+N B1A	06140133R0	30	
2A	BKN 3P+N B2A	06140134R0	30	
3A	BKN 3P+N B3A	06140135R0	30	
4A	BKN 3P+N B4A	06140136R0	30	
6A	BKN 3P+N B6A	06140137R0	30	
10A	BKN 3P+N B10A	06140138R0	30	
13A	BKN 3P+N B13A	06141773R0	30	
16A	BKN 3P+N B16A	06140139R0	30	
20A	BKN 3P+N B20A	06140140R0	30	
25A	BKN 3P+N B25A	06140141R0	30	
32A	BKN 3P+N B32A	06140142R0	30	
40A	BKN 3P+N B40A	06140143R0	30	
50A	BKN 3P+N B50A	06140144R0	30	
63A	BKN 3P+N B63A	06140145R0	30	



BKN 4P

### 6kA at 400VAC

In	Model	Order No.	Pack. unit (Pcs.)	Price
1A	BKN 4P B1A	06140146R0	30	
2A	BKN 4P B2A	06140147R0	30	
3A	BKN 4P B3A	06140148R0	30	
4A	BKN 4P B4A	06140149R0	30	
6A	BKN 4P B6A	06140150R0	30	
10A	BKN 4P B10A	06140151R0	30	
13A	BKN 4P B13A	06141776R0	30	
16A	BKN 4P B16A	06140152R0	30	
20A	BKN 4P B20A	06140153R0	30	
25A	BKN 4P B25A	06140154R0	30	
32A	BKN 4P B32A	06140155R0	30	
40A	BKN 4P B40A	06140156R0	30	
50A	BKN 4P B50A	06140157R0	30	
63A	BKN 4P B63A	06140158R0	30	



### Auxiliary switch 1c contact

In	Model	Order No.	Pack. unit (Pcs.)	Price
6A	BKN-AX-6A	06150002R0		
6A	BKN-AL-6A	06150004R0		

# Miniature Circuit Breakers

## DIN rail mounting

### BKN type, C curve



BKN 1P

#### 6kA at 230/400VAC

In	Model	Order No.	Pack. unit (Pcs.)	Price
1A	BKN 1P C1A	06110070R0	120	
2A	BKN 1P C2A	06110071R0	120	
3A	BKN 1P C3A	06110072R0	120	
4A	BKN 1P C4A	06110073R0	120	
6A	BKN 1P C6A	06110074R0	120	
10A	BKN 1P C10A	06110075R0	120	
13A	BKN 1P C13A	06112095R0	120	
16A	BKN 1P C16A	06110076R0	120	
20A	BKN 1P C20A	06110077R0	120	
25A	BKN 1P C25A	06110078R0	120	
32A	BKN 1P C32A	06110079R0	120	
40A	BKN 1P C40A	06110080R0	120	
50A	BKN 1P C50A	06110081R0	120	
63A	BKN 1P C63A	06110082R0	120	



BKN 1P+N

#### 6kA at 230/400VAC

In	Model	Order No.	Pack. unit (Pcs.)	Price
A	BKN 1P+N C1A	06120200R0	60	
2A	BKN 1P+N C2A	06120201R0	60	
3A	BKN 1P+N C3A	06120202R0	60	
4A	BKN 1P+N C4A	06120203R0	60	
6A	BKN 1P+N C6A	06120204R0	60	
10A	BKN 1P+N C10A	06120205R0	60	
13A	BKN 1P+N C13A	06122286R0	60	
16A	BKN 1P+N C16A	06120206R0	60	
20A	BKN 1P+N C20A	06120207R0	60	
25A	BKN 1P+N C25A	06120208R0	60	
32A	BKN 1P+N C32A	06120209R0	60	
40A	BKN 1P+N C40A	06120210R0	60	
50A	BKN 1P+N C50A	06120211R0	60	
63A	BKN 1P+N C63A	06120212R0	60	



BKN 2P

#### 6kA at 400VAC

In	Model	Order No.	Pack. unit (Pcs.)	Price
1A	BKN 2P C1A	06120213R0	60	
2A	BKN 2P C2A	06120214R0	60	
3A	BKN 2P C3A	06120215R0	60	
4A	BKN 2P C4A	06120216R0	60	
6A	BKN 2P C6A	06120217R0	60	
10A	BKN 2P C10A	06120218R0	60	
13A	BKN 2P C13A	06122289R0	60	
16A	BKN 2P C16A	06120219R0	60	
20A	BKN 2P C20A	06120220R0	60	
25A	BKN 2P C25A	06120221R0	60	
32A	BKN 2P C32A	06120222R0	60	
40A	BKN 2P C40A	06120223R0	60	
50A	BKN 2P C50A	06120224R0	60	
63A	BKN 2P C63A	06120225R0	60	

## BKN type, C curve



BKN 3P

### 6kA at 400VAC

In	Model	Order No.	Pack. unit (Pcs.)	Price
1A	BKN 3P C1A	06130050R0	40	
2A	BKN 3P C2A	06130051R0	40	
3A	BKN 3P C3A	06130052R0	40	
4A	BKN 3P C4A	06130053R0	40	
6A	BKN 3P C6A	06130054R0	40	
10A	BKN 3P C10A	06130055R0	40	
13A	BKN 3P C13A	06130964R0	40	
16A	BKN 3P C16A	06130056R0	40	
20A	BKN 3P C20A	06130057R0	40	
25A	BKN 3P C25A	06130058R0	40	
32A	BKN 3P C32A	06130059R0	40	
40A	BKN 3P C40A	06130060R0	40	
50A	BKN 3P C50A	06130061R0	40	
63A	BKN 3P C63A	06130062R0	40	



BKN 3P+N

### 6kA at 400VAC

In	Model	Order No.	Pack. unit (Pcs.)	Price
1A	BKN 3P+N C1A	06140104R0	30	
2A	BKN 3P+N C2A	06140105R0	30	
3A	BKN 3P+N C3A	06140106R0	30	
4A	BKN 3P+N C4A	06140107R0	30	
6A	BKN 3P+N C6A	06140108R0	30	
10A	BKN 3P+N C10A	06140109R0	30	
13A	BKN 3P+N C13A	06141774R0	30	
16A	BKN 3P+N C16A	06140110R0	30	
20A	BKN 3P+N C20A	06140111R0	30	
25A	BKN 3P+N C25A	06140112R0	30	
32A	BKN 3P+N C32A	06140113R0	30	
40A	BKN 3P+N C40A	06140114R0	30	
50A	BKN 3P+N C50A	06140115R0	30	
63A	BKN 3P+N C63A	06140116R0	30	



BKN 4P

### 6kA at 400VAC

In	Model	Order No.	Pack. unit (Pcs.)	Price
1A	BKN 4P C1A	06140117R0	30	
2A	BKN 4P C2A	06140118R0	30	
3A	BKN 4P C3A	06140119R0	30	
4A	BKN 4P C4A	06140120R0	30	
6A	BKN 4P C6A	06140121R0	30	
10A	BKN 4P C10A	06140122R0	30	
13A	BKN 4P C13A	06141777R0	30	
16A	BKN 4P C16A	06140123R0	30	
20A	BKN 4P C20A	06140124R0	30	
25A	BKN 4P C25A	06140125R0	30	
32A	BKN 4P C32A	06140126R0	30	
40A	BKN 4P C40A	06140127R0	30	
50A	BKN 4P C50A	06140128R0	30	
63A	BKN 4P C63A	06140129R0	30	



### Auxiliary switch 1c contact

In	Model	Order No.	Pack. unit (Pcs.)	Price
6A	BKN-AX-6A	06150002R0	—	
6A	BKN-AL-6A	06150004R0	—	

# Miniature Circuit Breakers

## DIN rail mounting

### BKN type, D curve



#### 6kA at 230/400VAC



BKN 1P

In	Model	Order No.	Pack. unit (Pcs.)	Price
1A	BKN 1P D1A	06110099R0	120	
2A	BKN 1P D2A	06110100R0	120	
3A	BKN 1P D3A	06110101R0	120	
4A	BKN 1P D4A	06110102R0	120	
6A	BKN 1P D6A	06110103R0	120	
10A	BKN 1P D10A	06110104R0	120	
13A	BKN 1P D13A	06112096R0	120	
16A	BKN 1P D16A	06110105R0	120	
20A	BKN 1P D20A	06110106R0	120	
25A	BKN 1P D25A	06110107R0	120	
32A	BKN 1P D32A	06110108R0	120	
40A	BKN 1P D40A	06110109R0	120	
50A	BKN 1P D50A	06110110R0	120	
63A	BKN 1P D63A	06110111R0	120	

#### 6kA at 230/400VAC



BKN 1P+N

In	Model	Order No.	Pack. unit (Pcs.)	Price
1A	BKN 1P+N D1A	06120276R0	60	
2A	BKN 1P+N D2A	06120277R0	60	
3A	BKN 1P+N D3A	06120278R0	60	
4A	BKN 1P+N D4A	06120279R0	60	
6A	BKN 1P+N D6A	06120280R0	60	
10A	BKN 1P+N D10A	06120281R0	60	
13A	BKN 1P+N D13A	06122287R0	60	
16A	BKN 1P+N D16A	06120282R0	60	
20A	BKN 1P+N D20A	06120283R0	60	
25A	BKN 1P+N D25A	06120284R0	60	
32A	BKN 1P+N D32A	06120285R0	60	
40A	BKN 1P+N D40A	06120286R0	60	
50A	BKN 1P+N D50A	06120287R0	60	
63A	BKN 1P+N D63A	06120288R0	60	

#### 6kA at 400VAC



BKN 2P

In	Model	Order No.	Pack. unit (Pcs.)	Price
1A	BKN 2P D1A	06120289R0	60	
2A	BKN 2P D2A	06120290R0	60	
3A	BKN 2P D3A	06120291R0	60	
4A	BKN 2P D4A	06120292R0	60	
6A	BKN 2P D6A	06120293R0	60	
10A	BKN 2P D10A	06120294R0	60	
13A	BKN 2P D13A	06122290R0	60	
16A	BKN 2P D16A	06120295R0	60	
20A	BKN 2P D20A	06120296R0	60	
25A	BKN 2P D25A	06120297R0	60	
32A	BKN 2P D32A	06120298R0	60	
40A	BKN 2P D40A	06120299R0	60	
50A	BKN 2P D50A	06120300R0	60	
63A	BKN 2P D63A	06120301R0	60	

## BKN type, D curve



BKN 3P

### 6kA at 400VAC

In	Model	Order No.	Pack. unit (Pcs.)	Price
1A	BKN 3P D1A	06130079R0	40	
2A	BKN 3P D2A	06130080R0	40	
3A	BKN 3P D3A	06130081R0	40	
4A	BKN 3P D4A	06130082R0	40	
6A	BKN 3P D6A	06130083R0	40	
10A	BKN 3P D10A	06130084R0	40	
13A	BKN 3P D13A	06130965R0	40	
16A	BKN 3P D16A	06130085R0	40	
20A	BKN 3P D20A	06130086R0	40	
25A	BKN 3P D25A	06130087R0	40	
32A	BKN 3P D32A	06130088R0	40	
40A	BKN 3P D40A	06130089R0	40	
50A	BKN 3P D50A	06130090R0	40	
63A	BKN 3P D63A	06130091R0	40	



BKN 3P+N

### 6kA at 400VAC

In	Model	Order No.	Pack. unit (Pcs.)	Price
1A	BKN 3P+N D1A	06140159R0	30	
2A	BKN 3P+N D2A	06140160R0	30	
3A	BKN 3P+N D3A	06140161R0	30	
4A	BKN 3P+N D4A	06140162R0	30	
6A	BKN 3P+N D6A	06140163R0	30	
10A	BKN 3P+N D10A	06140164R0	30	
13A	BKN 3P+N D13A	06141775R0	30	
16A	BKN 3P+N D16A	06140165R0	30	
20A	BKN 3P+N D20A	06140166R0	30	
25A	BKN 3P+N D25A	06140167R0	30	
32A	BKN 3P+N D32A	06140168R0	30	
40A	BKN 3P+N D40A	06140169R0	30	
50A	BKN 3P+N D50A	06140170R0	30	
63A	BKN 3P+N D63A	06140171R0	30	



BKN 4P

### 6kA at 400VAC

In	Model	Order No.	Pack. unit (Pcs.)	Price
1A	BKN 4P D1A	06140172R0	30	
2A	BKN 4P D2A	06140173R0	30	
3A	BKN 4P D3A	06140174R0	30	
4A	BKN 4P D4A	06140175R0	30	
6A	BKN 4P D6A	06140176R0	30	
10A	BKN 4P D10A	06140177R0	30	
13A	BKN 4P D13A	06141778R0	30	
16A	BKN 4P D16A	06140178R0	30	
20A	BKN 4P D20A	06140179R0	30	
25A	BKN 4P D25A	06140180R0	30	
32A	BKN 4P D32A	06140181R0	30	
40A	BKN 4P D40A	06140182R0	30	
50A	BKN 4P D50A	06140183R0	30	
63A	BKN 4P D63A	06140184R0	30	



### Auxiliary switch 1c contact

In	Model	Order No.	Pack. unit (Pcs.)	Price
6A	BKN-AX-6A	06150002R0		
6A	BKN-AL-6A	06150004R0		

# Miniature Circuit Breakers

## DIN rail mounting

### BKN-b type (High rupturing capacity)



CE  
Certificate  
Patent  
protection



BKN-b 2P

#### Technical data

Standard	Confirming to IEC 60898-1	
Approval	KEMA CB, SABS, CE	
Protection	Against overload and short circuit	
Rated current	1, 2, 3, 4, 6, 10, 16, 20, 25, 32, 40, 50, 63A	
Rated voltage	1pole 240/415VAC 50/60Hz 2, 3, 4pole 415VAC 50/60Hz	
Ambient temperature	-5°C to +40°C pursuant to IEC 60898-1	
Breaking capacity	10kA	
Characteristic	B, C, D curve	
Number of poles	1P, 1P+N, 2P, 3P, 3P+N and 4P	
Type of trip	Thermal-magnetic release	
Type of terminal	Dual type (Lug & Screw)	
Terminal capacity	Cables up to 25mm <sup>2</sup>	
Installation	Mounting on 35mm DIN rail	
Width	17.8mm per pole	
Electrical endurance	-	
In	1 ... 32A	40 ... 63A
Endurance	4,000 operations	4,000 operations
Max. frequency (Cycles/hour)	240	120

#### Influence of ambient temperature on nominal currents



Nominal current of MCB (A)	Internally resistance (mohm)	Power loss (W)	Max. impedance of impedance loop (Ohm)			Thermal correction of nominal currents				
			B	C	D	20°C	30°C	40°C	50°C	60°C
1	1215.69	1.24	46.20	25.70	14.40	1.05	1	0.95	0.90	0.85
2	343.28	1.38	21.60	12.02	6.73	2.08	2	1.92	1.84	1.74
3	128.09	1.15	16.90	9.40	5.26	3.18	3	2.82	2.61	2.37
4	105.53	1.68	10.68	5.94	3.33	4.24	4	3.76	3.52	3.24
6	29.22	1.08	7.14	3.97	2.22	6.24	6	5.76	5.52	5.30
10	14.49	1.55	3.87	2.15	1.21	10.60	10	9.30	8.60	7.80
16	10.00	2.56	2.24	1.25	0.70	16.80	16	15.20	14.20	13.30
20	8.02	3.32	1.55	0.86	0.48	21.00	20	19.00	17.80	16.80
25	3.11	2.00	2.43	1.35	0.76	26.20	25	23.70	22.20	20.70
32	3.05	3.17	1.27	0.71	0.40	33.50	32	30.40	28.40	27.50
40	2.16	3.40	0.60	0.33	0.19	42.00	40	38.00	35.60	33.20
50	1.65	4.20	0.71	0.39	0.22	52.50	50	47.40	44.00	40.50
63	1.68	6.30	0.47	0.32	0.15	66.20	63	58.00	54.20	49.20

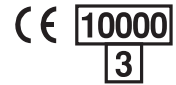
#### Optional accessories. SHT, OVT /UVT



SHT-b	Rated voltage (Ue)	AC 110~415V
	Operate voltage range	70~110% Ue
U/OVT-b	Rated voltage (Ue)	AC 230V
	Over-voltage tripping range	AC 280V±5%
	Under-voltage tripping range	AC 170V±5%
E	Electric-mechanical endurance	10,000 operations
Terminal		MS screw (cable up to 25mm <sup>2</sup> )
Width		18mm



## BKN-b type, B curve



BKN-b 1P

### 10kA at 240/415VAC

In	Model	Order No.	Pack. unit (Pcs.)	Price
1A	BKN-b 1P B1A	06110160R0	120	
2A	BKN-b 1P B2A	06110161R0	120	
3A	BKN-b 1P B3A	06110162R0	120	
4A	BKN-b 1P B4A	06110163R0	120	
6A	BKN-b 1P B6A	06110164R0	120	
10A	BKN-b 1P B10A	06110165R0	120	
16A	BKN-b 1P B16A	06110166R0	120	
20A	BKN-b 1P B20A	06110167R0	120	
25A	BKN-b 1P B25A	06110168R0	120	
32A	BKN-b 1P B32A	06110169R0	120	
40A	BKN-b 1P B40A	06110170R0	120	
50A	BKN-b 1P B50A	06110171R0	120	
63A	BKN-b 1P B63A	06110172R0	120	



BKN-b 1P+N

### 10kA at 240/415VAC

In	Model	Order No.	Pack. unit (Pcs.)	Price
1A	BKN-b 1P+N B1A	06120417R0	60	
2A	BKN-b 1P+N B2A	06120418R0	60	
3A	BKN-b 1P+N B3A	06120419R0	60	
4A	BKN-b 1P+N B4A	06120420R0	60	
6A	BKN-b 1P+N B6A	06120421R0	60	
10A	BKN-b 1P+N B10A	06120422R0	60	
16A	BKN-b 1P+N B16A	06120423R0	60	
20A	BKN-b 1P+N B20A	06120424R0	60	
25A	BKN-b 1P+N B25A	06120425R0	60	
32A	BKN-b 1P+N B32A	06120426R0	60	
40A	BKN-b 1P+N B40A	06120427R0	60	
50A	BKN-b 1P+N B50A	06120428R0	60	
63A	BKN-b 1P+N B63A	06120429R0	60	



BKN-b 2P

### 10kA at 415VAC

In	Model	Order No.	Pack. unit (Pcs.)	Price
1A	BKN-b 2P B1A	06120430R0	60	
2A	BKN-b 2P B2A	06120431R0	60	
3A	BKN-b 2P B3A	06120432R0	60	
4A	BKN-b 2P B4A	06120433R0	60	
6A	BKN-b 2P B6A	06120434R0	60	
10A	BKN-b 2P B10A	06120435R0	60	
16A	BKN-b 2P B16A	06120436R0	60	
20A	BKN-b 2P B20A	06120437R0	60	
25A	BKN-b 2P B25A	06120438R0	60	
32A	BKN-b 2P B32A	06120439R0	60	
40A	BKN-b 2P B40A	06120440R0	60	
50A	BKN-b 2P B50A	06120441R0	60	
63A	BKN-b 2P B63A	06120442R0	60	

# Miniature Circuit Breakers

## DIN rail mounting

### BKN-b type, B curve



BKN-b 3P

#### 10kA at 415VAC

In	Model	Order No.	Pack. unit (Pcs.)	Price
1A	BKN-b 3P B1A	06120443R0	40	
2A	BKN-b 3P B2A	06120444R0	40	
3A	BKN-b 3P B3A	06120445R0	40	
4A	BKN-b 3P B4A	06120446R0	40	
6A	BKN-b 3P B6A	06120447R0	40	
10A	BKN-b 3P B10A	06120448R0	40	
16A	BKN-b 3P B16A	06120449R0	40	
20A	BKN-b 3P B20A	06120450R0	40	
25A	BKN-b 3P B25A	06120451R0	40	
32A	BKN-b 3P B32A	06120452R0	40	
40A	BKN-b 3P B40A	06120453R0	40	
50A	BKN-b 3P B50A	06120454R0	40	
63A	BKN-b 3P B63A	06120455R0	40	



BKN-b 3P+N

#### 10kA at 415VAC

In	Model	Order No.	Pack. unit (Pcs.)	Price
1A	BKN-b 3P+N B1A	06120456R0	30	
2A	BKN-b 3P+N B2A	06120457R0	30	
3A	BKN-b 3P+N B3A	06120458R0	30	
4A	BKN-b 3P+N B4A	06120459R0	30	
6A	BKN-b 3P+N B6A	06120460R0	30	
10A	BKN-b 3P+N B10A	06120461R0	30	
16A	BKN-b 3P+N B16A	06120462R0	30	
20A	BKN-b 3P+N B20A	06120463R0	30	
25A	BKN-b 3P+N B25A	06120464R0	30	
32A	BKN-b 3P+N B32A	06120465R0	30	
40A	BKN-b 3P+N B40A	06120466R0	30	
50A	BKN-b 3P+N B50A	06120467R0	30	
63A	BKN-b 3P+N B63A	06120468R0	30	



BKN-b 4P

#### 10kA at 415VAC

In	Model	Order No.	Pack. unit (Pcs.)	Price
1A	BKN-b 4P B1A	06120430R0	30	
2A	BKN-b 4P B2A	06120431R0	30	
3A	BKN-b 4P B3A	06120432R0	30	
4A	BKN-b 4P B4A	06120433R0	30	
6A	BKN-b 4P B6A	06120434R0	30	
10A	BKN-b 4P B10A	06120435R0	30	
16A	BKN-b 4P B16A	06120436R0	30	
20A	BKN-b 4P B20A	06120437R0	30	
25A	BKN-b 4P B25A	06120438R0	30	
32A	BKN-b 4P B32A	06120439R0	30	
40A	BKN-b 4P B40A	06120440R0	30	
50A	BKN-b 4P B50A	06120441R0	30	
63A	BKN-b 4P B63A	06120442R0	30	

## BKN-b type, C curve



BKN-b 1P

### 10kA at 240/415VAC

In	Model	Order No.	Pack. unit (Pcs.)	Price
1A	BKN-b 1P C1A	06110173R0	120	
2A	BKN-b 1P C2A	06110174R0	120	
3A	BKN-b 1P C3A	06110175R0	120	
4A	BKN-b 1P C4A	06110176R0	120	
6A	BKN-b 1P C6A	06110177R0	120	
10A	BKN-b 1P C10A	06110178R0	120	
16A	BKN-b 1P C16A	06110179R0	120	
20A	BKN-b 1P C20A	06110180R0	120	
25A	BKN-b 1P C25A	06110181R0	120	
32A	BKN-b 1P C32A	06110182R0	120	
40A	BKN-b 1P C40A	06110183R0	120	
50A	BKN-b 1P C50A	06110184R0	120	
63A	BKN-b 1P C63A	06110185R0	120	



BKN-b 1P+N

### 10kA at 240/415VAC

In	Model	Order No.	Pack. unit (Pcs.)	Price
1A	BKN-b 1P+N C1A	06110186R0	60	
2A	BKN-b 1P+N C2A	06110187R0	60	
3A	BKN-b 1P+N C3A	06110188R0	60	
4A	BKN-b 1P+N C4A	06110189R0	60	
6A	BKN-b 1P+N C6A	06110190R0	60	
10A	BKN-b 1P+N C10A	06110191R0	60	
16A	BKN-b 1P+N C16A	06110192R0	60	
20A	BKN-b 1P+N C20A	06110193R0	60	
25A	BKN-b 1P+N C25A	06110194R0	60	
32A	BKN-b 1P+N C32A	06110195R0	60	
40A	BKN-b 1P+N C40A	06110196R0	60	
50A	BKN-b 1P+N C50A	06110197R0	60	
63A	BKN-b 1P+N C63A	06110198R0	60	



BKN-b 2P

### 10kA at 415VAC

In	Model	Order No.	Pack. unit (Pcs.)	Price
1A	BKN-b 2P C1A	06110199R0	60	
2A	BKN-b 2P C2A	06110200R0	60	
3A	BKN-b 2P C3A	06110201R0	60	
4A	BKN-b 2P C4A	06110202R0	60	
6A	BKN-b 2P C6A	06110203R0	60	
10A	BKN-b 2P C10A	06110204R0	60	
16A	BKN-b 2P C16A	06110205R0	60	
20A	BKN-b 2P C20A	06110206R0	60	
25A	BKN-b 2P C25A	06110207R0	60	
32A	BKN-b 2P C32A	06110208R0	60	
40A	BKN-b 2P C40A	06110209R0	60	
50A	BKN-b 2P C50A	06110210R0	60	
63A	BKN-b 2P C63A	06110211R0	60	

# Miniature Circuit Breakers

## DIN rail mounting

### BKN-b type, C curve



BKN-b 3P

#### 10kA at 415VAC

In	Model	Order No.	Pack. unit (Pcs.)	Price
1A	BKN-b 3P C1A	06110212R0	40	
2A	BKN-b 3P C2A	06110213R0	40	
3A	BKN-b 3P C3A	06110214R0	40	
4A	BKN-b 3P C4A	06110215R0	40	
6A	BKN-b 3P C6A	06110216R0	40	
10A	BKN-b 3P C10A	06110217R0	40	
16A	BKN-b 3P C16A	06110218R0	40	
20A	BKN-b 3P C20A	06110219R0	40	
25A	BKN-b 3P C25A	06110220R0	40	
32A	BKN-b 3P C32A	06110221R0	40	
40A	BKN-b 3P C40A	06110222R0	40	
50A	BKN-b 3P C50A	06110223R0	40	
63A	BKN-b 3P C63A	06110224R0	40	



BKN-b 3P+N

#### 10kA at 415VAC

In	Model	Order No.	Pack. unit (Pcs.)	Price
1A	BKN-b 3P+N C1A	06110225R0	30	
2A	BKN-b 3P+N C2A	06110226R0	30	
3A	BKN-b 3P+N C3A	06110227R0	30	
4A	BKN-b 3P+N C4A	06110228R0	30	
6A	BKN-b 3P+N C6A	06110229R0	30	
10A	BKN-b 3P+N C10A	06110230R0	30	
16A	BKN-b 3P+N C16A	06110231R0	30	
20A	BKN-b 3P+N C20A	06110232R0	30	
25A	BKN-b 3P+N C25A	06110233R0	30	
32A	BKN-b 3P+N C32A	06110234R0	30	
40A	BKN-b 3P+N C40A	06110235R0	30	
50A	BKN-b 3P+N C50A	06110236R0	30	
63A	BKN-b 3P+N C63A	06110237R0	30	



BKN-b 4P

#### 10kA at 415VAC

In	Model	Order No.	Pack. unit (Pcs.)	Price
1A	BKN-b 4P C1A	06110238R0	30	
2A	BKN-b 4P C2A	06110239R0	30	
3A	BKN-b 4P C3A	06110240R0	30	
4A	BKN-b 4P C4A	06110241R0	30	
6A	BKN-b 4P C6A	06110242R0	30	
10A	BKN-b 4P C10A	06110243R0	30	
16A	BKN-b 4P C16A	06110244R0	30	
20A	BKN-b 4P C20A	06110245R0	30	
25A	BKN-b 4P C25A	06110246R0	30	
32A	BKN-b 4P C32A	06110247R0	30	
40A	BKN-b 4P C40A	06110248R0	30	
50A	BKN-b 4P C50A	06110249R0	30	
63A	BKN-b 4P C63A	06110250R0	30	

## BKN-b type, D curve



### 10kA at 240/415VAC



BKN-b 1P

In	Model	Order No.	Pack. unit (Pcs.)	Price
1A	BKN-b 1P D1A	06110251R0	120	
2A	BKN-b 1P D2A	06110252R0	120	
3A	BKN-b 1P D3A	06110253R0	120	
4A	BKN-b 1P D4A	06110254R0	120	
6A	BKN-b 1P D6A	06110255R0	120	
10A	BKN-b 1P D10A	06110256R0	120	
16A	BKN-b 1P D16A	06110257R0	120	
20A	BKN-b 1P D20A	06110258R0	120	
25A	BKN-b 1P D25A	06110259R0	120	
32A	BKN-b 1P D32A	06110260R0	120	
40A	BKN-b 1P D40A	06110261R0	120	
50A	BKN-b 1P D50A	06110262R0	120	
63A	BKN-b 1P D63A	06110263R0	120	

### 10kA at 240/415VAC



BKN-b 1P+N

In	Model	Order No.	Pack. unit (Pcs.)	Price
1A	BKN-b 1P+N D1A	06110264R0	60	
2A	BKN-b 1P+N D2A	06110265R0	60	
3A	BKN-b 1P+N D3A	06110266R0	60	
4A	BKN-b 1P+N D4A	06110267R0	60	
6A	BKN-b 1P+N D6A	06110268R0	60	
10A	BKN-b 1P+N D10A	06110269R0	60	
16A	BKN-b 1P+N D16A	06110270R0	60	
20A	BKN-b 1P+N D20A	06110271R0	60	
25A	BKN-b 1P+N D25A	06110272R0	60	
32A	BKN-b 1P+N D32A	06110273R0	60	
40A	BKN-b 1P+N D40A	06110274R0	60	
50A	BKN-b 1P+N D50A	06110275R0	60	
63A	BKN-b 1P+N D63A	06110276R0	60	

### 10kA at 415VAC



BKN-b 2P

In	Model	Order No.	Pack. unit (Pcs.)	Price
1A	BKN-b 2P D1A	06110277R0	60	
2A	BKN-b 2P D2A	06110278R0	60	
3A	BKN-b 2P D3A	06110279R0	60	
4A	BKN-b 2P D4A	06110280R0	60	
6A	BKN-b 2P D6A	06110281R0	60	
10A	BKN-b 2P D10A	06110282R0	60	
16A	BKN-b 2P D16A	06110283R0	60	
20A	BKN-b 2P D20A	06110284R0	60	
25A	BKN-b 2P D25A	06110285R0	60	
32A	BKN-b 2P D32A	06110286R0	60	
40A	BKN-b 2P D40A	06110287R0	60	
50A	BKN-b 2P D50A	06110288R0	60	
63A	BKN-b 2P D63A	06110289R0	60	

# Miniature Circuit Breakers

## DIN rail mounting

### BKN-b type, D curve



BKN-b 3P

#### 10kA at 415VAC

In	Model	Order No.	Pack. unit (Pcs.)	Price
1A	BKN-b 3P D1A	06110290R0	40	
2A	BKN-b 3P D2A	06110291R0	40	
3A	BKN-b 3P D3A	06110292R0	40	
4A	BKN-b 3P D4A	06110293R0	40	
6A	BKN-b 3P D6A	06110294R0	40	
10A	BKN-b 3P D10A	06110295R0	40	
16A	BKN-b 3P D16A	06110296R0	40	
20A	BKN-b 3P D20A	06110297R0	40	
25A	BKN-b 3P D25A	06110298R0	40	
32A	BKN-b 3P D32A	06110299R0	40	
40A	BKN-b 3P D40A	06110300R0	40	
50A	BKN-b 3P D50A	06110301R0	40	
63A	BKN-b 3P D63A	06110302R0	40	



BKN-b 3P+N

#### 10kA at 415VAC

In	Model	Order No.	Pack. unit (Pcs.)	Price
1A	BKN-b 3P+N D1A	06110303R0	30	
2A	BKN-b 3P+N D2A	06110304R0	30	
3A	BKN-b 3P+N D3A	06110305R0	30	
4A	BKN-b 3P+N D4A	06110306R0	30	
6A	BKN-b 3P+N D6A	06110307R0	30	
10A	BKN-b 3P+N D10A	06110308R0	30	
16A	BKN-b 3P+N D16A	06110309R0	30	
20A	BKN-b 3P+N D20A	06110310R0	30	
25A	BKN-b 3P+N D25A	06110311R0	30	
32A	BKN-b 3P+N D32A	06110312R0	30	
40A	BKN-b 3P+N D40A	06110313R0	30	
50A	BKN-b 3P+N D50A	06110314R0	30	
63A	BKN-b 3P+N D63A	06110315R0	30	



BKN-b 4P

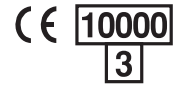
#### 10kA at 415VAC

In	Model	Order No.	Pack. unit (Pcs.)	Price
1A	BKN-b 4P D1A	06110316R0	30	
2A	BKN-b 4P D2A	06110317R0	30	
3A	BKN-b 4P D3A	06110318R0	30	
4A	BKN-b 4P D4A	06110319R0	30	
6A	BKN-b 4P D6A	06110320R0	30	
10A	BKN-b 4P D10A	06110321R0	30	
16A	BKN-b 4P D16A	06110322R0	30	
20A	BKN-b 4P D20A	06110323R0	30	
25A	BKN-b 4P D25A	06110324R0	30	
32A	BKN-b 4P D32A	06110325R0	30	
40A	BKN-b 4P D40A	06110326R0	30	
50A	BKN-b 4P D50A	06110327R0	30	
63A	BKN-b 4P D63A	06110328R0	30	



BKN-c 2P

## BKN-c type



### Technical data

Standard	Confirming to IEC 60898-1	
Approval	SEMKO CB	
Protection	Against overload and short circuit	
Rated current	1, 2, 3, 4, 6, 10, 13, 16, 20, 25, 32, 40, 50, 63A	
Rated voltage	1pole 230/400VAC 50/60Hz 2, 3, 4pole 400VAC 50/60Hz	
Breaking capacity	6kA	
Characteristic	B, C, D curve	
Number of poles	1P, 2P, 3P, 4P	
Type of trip	Thermal-magnetic release	
Type of terminal	Dual type (Lug & Screw)	
Terminal capacity	Cables up to 25mm <sup>2</sup>	
Installation	Mounting on 35mm DIN rail	
Width	17.8mm per pole	
Electrical endurance		
In	1 ... 32A	40 ... 63A
Endurance	4,000 operations	4,000 operations
Max. frequency (Cycles/hour)	240	120

# Miniature Circuit Breakers DIN rail mounting

## BKN-c type, B curve



### 6kA at 230/400VAC



BKN-c 1P

Pole	In	Model	Order No.	Pack. unit (Pcs.)	Price
1P	1A	BKN-c 1P B1A	06110099R0	120	
	2A	BKN-c 1P B2A	06110100R0	120	
	3A	BKN-c 1P B3A	06110101R0	120	
	4A	BKN-c 1P B4A	06110102R0	120	
	6A	BKN-c 1P B6A	06110103R0	120	
	10A	BKN-c 1P B10A	06110104R0	120	
	13A	BKN-c 1P B13A	06112096R0	120	
	16A	BKN-c 1P B16A	06110105R0	120	
	20A	BKN-c 1P B20A	06110106R0	120	
	25A	BKN-c 1P B25A	06110107R0	120	
	32A	BKN-c 1P B32A	06110108R0	120	
	40A	BKN-c 1P B40A	06110109R0	120	
	50A	BKN-c 1P B50A	06110110R0	120	
	63A	BKN-c 1P B63A	06110111R0	120	

### 6kA at 230/400VAC



BKN-c 1P+N

Pole	In	Model	Order No.	Pack. unit (Pcs.)	Price
1P+N	1A	BKN-c 1P+N B1A	06121125R0	60	
	2A	BKN-c 1P+N B2A	06121126R0	60	
	3A	BKN-c 1P+N B3A	06121127R0	60	
	4A	BKN-c 1P+N B4A	06121128R0	60	
	6A	BKN-c 1P+N B6A	06121129R0	60	
	10A	BKN-c 1P+N B10A	06121130R0	60	
	16A	BKN-c 1P+N B16A	06121131R0	60	
	20A	BKN-c 1P+N B20A	06121132R0	60	
	25A	BKN-c 1P+N B25A	06121133R0	60	
	32A	BKN-c 1P+N B32A	06121134R0	60	
	40A	BKN-c 1P+N B40A	06121135R0	60	
	50A	BKN-c 1P+N B50A	06121136R0	60	
	63A	BKN-c 1P+N B63A	06121137R0	60	

### 6kA at 400VAC



BKN-c 2P

Pole	In	Model	Order No.	Pack. unit (Pcs.)	Price
2P	1A	BKN-c 2P B1A	06121138R0	60	
	2A	BKN-c 2P B2A	06121139R0	60	
	3A	BKN-c 2P B3A	06121140R0	60	
	4A	BKN-c 2P B4A	06121141R0	60	
	6A	BKN-c 2P B6A	06121142R0	60	
	10A	BKN-c 2P B10A	06121143R0	60	
	13A	BKN-c 2P B13A	06112100R0	60	
	16A	BKN-c 2P B16A	06121144R0	60	
	20A	BKN-c 2P B20A	06121145R0	60	
	25A	BKN-c 2P B25A	06121146R0	60	
	32A	BKN-c 2P B32A	06121147R0	60	
	40A	BKN-c 2P B40A	06121148R0	60	
	50A	BKN-c 2P B50A	06121149R0	60	
	63A	BKN-c 2P B63A	06121150R0	60	



## BKN-c type, B curve



BKN-c 3P

### 6kA at 400VAC

Pole	In	Model	Order No.	Pack. unit (Pcs.)	Price
3P	1A	BKN-c 3P B1A	06130485R0	40	
	2A	BKN-c 3P B2A	06130486R0	40	
	3A	BKN-c 3P B3A	06130487R0	40	
	4A	BKN-c 3P B4A	06130488R0	40	
	6A	BKN-c 3P B6A	06130489R0	40	
	10A	BKN-c 3P B10A	06130490R0	40	
	13A	BKN-c 3P B13A	06112102R0	40	
	16A	BKN-c 3P B16A	06130491R0	40	
	20A	BKN-c 3P B20A	06130492R0	40	
	25A	BKN-c 3P B25A	06130493R0	40	
	32A	BKN-c 3P B32A	06130494R0	40	
	40A	BKN-c 3P B40A	06130495R0	40	
	50A	BKN-c 3P B50A	06130496R0	40	
	63A	BKN-c 3P B63A	06130497R0	40	



BKN-c 3P+N

### 6kA at 400VAC

Pole	In	Model	Order No.	Pack. unit (Pcs.)	Price
3P+N	1A	BKN-c 3P+N B1A	06140901R0	30	
	2A	BKN-c 3P+N B2A	06140902R0	30	
	3A	BKN-c 3P+N B3A	06140903R0	30	
	4A	BKN-c 3P+N B4A	06140904R0	30	
	6A	BKN-c 3P+N B6A	06140905R0	30	
	10A	BKN-c 3P+N B10A	06140906R0	30	
	16A	BKN-c 3P+N B16A	06140907R0	30	
	20A	BKN-c 3P+N B20A	06140908R0	30	
	25A	BKN-c 3P+N B25A	06140909R0	30	
	32A	BKN-c 3P+N B32A	06140910R0	30	
	40A	BKN-c 3P+N B40A	06140911R0	30	
	50A	BKN-c 3P+N B50A	06140912R0	30	
	63A	BKN-c 3P+N B63A	06140913R0	30	



BKN-c 4P

### 6kA at 400VAC

Pole	In	Model	Order No.	Pack. unit (Pcs.)	Price
4P	1A	BKN-c 4P B1A	06140914R0	30	
	2A	BKN-c 4P B2A	06140915R0	30	
	3A	BKN-c 4P B3A	06140916R0	30	
	4A	BKN-c 4P B4A	06140917R0	30	
	6A	BKN-c 4P B6A	06140918R0	30	
	10A	BKN-c 4P B10A	06140919R0	30	
	13A	BKN-c 4P B13A	06112104R0	30	
	16A	BKN-c 4P B16A	06140920R0	30	
	20A	BKN-c 4P B20A	06140921R0	30	
	25A	BKN-c 4P B25A	06140922R0	30	
	32A	BKN-c 4P B32A	06140923R0	30	
	40A	BKN-c 4P B40A	06140924R0	30	
	50A	BKN-c 4P B50A	06140925R0	30	
	63A	BKN-c 4P B63A	06140926R0	30	

# Miniature Circuit Breakers DIN rail mounting

## BKN-c type, C curve



### 6kA at 230/400VAC



BKN-c 1P

Pole	In	Model	Order No.	Pack. unit (Pcs.)	Price
1P	1A	BKN-c 1P C1A	06110981R0	120	
	2A	BKN-c 1P C2A	06110982R0	120	
	3A	BKN-c 1P C3A	06110983R0	120	
	4A	BKN-c 1P C4A	06110984R0	120	
	6A	BKN-c 1P C6A	06110985R0	120	
	10A	BKN-c 1P C10A	06110986R0	120	
	13A	BKN-c 1P C13A	06112099R0	120	
	16A	BKN-c 1P C16A	06110987R0	120	
	20A	BKN-c 1P C20A	06110988R0	120	
	25A	BKN-c 1P C25A	06110989R0	120	
	32A	BKN-c 1P C32A	06110990R0	120	
	40A	BKN-c 1P C40A	06110991R0	120	
	50A	BKN-c 1P C50A	06110992R0	120	
	63A	BKN-c 1P C63A	06110993R0	120	

### 6kA at 230/400VAC



BKN-c 1P+N

Pole	In	Model	Order No.	Pack. unit (Pcs.)	Price
1P+N	1A	BKN-c 1P+N C1A	06121151R0	60	
	2A	BKN-c 1P+N C2A	06121152R0	60	
	3A	BKN-c 1P+N C3A	06121153R0	60	
	4A	BKN-c 1P+N C4A	06121154R0	60	
	6A	BKN-c 1P+N C6A	06121155R0	60	
	10A	BKN-c 1P+N C10A	06121156R0	60	
	16A	BKN-c 1P+N C16A	06121157R0	60	
	20A	BKN-c 1P+N C20A	06121158R0	60	
	25A	BKN-c 1P+N C25A	06121159R0	60	
	32A	BKN-c 1P+N C32A	06121160R0	60	
	40A	BKN-c 1P+N C40A	06121161R0	60	
	50A	BKN-c 1P+N C50A	06121162R0	60	
	63A	BKN-c 1P+N C63A	06121163R0	60	

### 6kA at 400VAC



BKN-c 2P

Pole	In	Model	Order No.	Pack. unit (Pcs.)	Price
2P	1A	BKN-c 2P C1A	06121164R0	60	
	2A	BKN-c 2P C2A	06121165R0	60	
	3A	BKN-c 2P C3A	06121166R0	60	
	4A	BKN-c 2P C4A	06121167R0	60	
	6A	BKN-c 2P C6A	06121168R0	60	
	10A	BKN-c 2P C10A	06121169R0	60	
	13A	BKN-c 2P C13A	06112101R0	60	
	16A	BKN-c 2P C16A	06121170R0	60	
	20A	BKN-c 2P C20A	06121171R0	60	
	25A	BKN-c 2P C25A	06121172R0	60	
	32A	BKN-c 2P C32A	06121173R0	60	
	40A	BKN-c 2P C40A	06121174R0	60	
	50A	BKN-c 2P C50A	06121175R0	60	
	63A	BKN-c 2P C63A	06121176R0	60	

## BKN-c type, C curve



BKN-c 3P

### 6kA at 400VAC

Pole	In	Model	Order No.	Pack. unit (Pcs.)	Price
3P	1A	BKN-c 3P C1A	06130498R0	40	
	2A	BKN-c 3P C2A	06130499R0	40	
	3A	BKN-c 3P C3A	06130500R0	40	
	4A	BKN-c 3P C4A	06130501R0	40	
	6A	BKN-c 3P C6A	06130502R0	40	
	10A	BKN-c 3P C10A	06130503R0	40	
	13A	BKN-c 3P C13A	06112103R0	40	
	16A	BKN-c 3P C16A	06130504R0	40	
	20A	BKN-c 3P C20A	06130505R0	40	
	25A	BKN-c 3P C25A	06130506R0	40	
	32A	BKN-c 3P C32A	06130507R0	40	
	40A	BKN-c 3P C40A	06130508R0	40	
	50A	BKN-c 3P C50A	06130509R0	40	
	63A	BKN-c 3P C63A	06130510R0	40	



BKN-c 3P+N

### 6kA at 400VAC

Pole	In	Model	Order No.	Pack. unit (Pcs.)	Price
3P+N	1A	BKN-c 3P+N C1A	06140927R0	30	
	2A	BKN-c 3P+N C2A	06140928R0	30	
	3A	BKN-c 3P+N C3A	06140929R0	30	
	4A	BKN-c 3P+N C4A	06140930R0	30	
	6A	BKN-c 3P+N C6A	06140931R0	30	
	10A	BKN-c 3P+N C10A	06140932R0	30	
	16A	BKN-c 3P+N C16A	06140933R0	30	
	20A	BKN-c 3P+N C20A	06140934R0	30	
	25A	BKN-c 3P+N C25A	06140935R0	30	
	32A	BKN-c 3P+N C32A	06140936R0	30	
	40A	BKN-c 3P+N C40A	06140937R0	30	
	50A	BKN-c 3P+N C50A	06140938R0	30	
	63A	BKN-c 3P+N C63A	06140939R0	30	



BKN-c 4P

### 6kA at 400VAC

Pole	In	Model	Order No.	Pack. unit (Pcs.)	Price
4P	1A	BKN-c 4P C1A	06140940R0	30	
	2A	BKN-c 4P C2A	06140941R0	30	
	3A	BKN-c 4P C3A	06140942R0	30	
	4A	BKN-c 4P C4A	06140943R0	30	
	6A	BKN-c 4P C6A	06140944R0	30	
	10A	BKN-c 4P C10A	06140945R0	30	
	13A	BKN-c 4P C13A	06112105R0	30	
	16A	BKN-c 4P C16A	06140946R0	30	
	20A	BKN-c 4P C20A	06140947R0	30	
	25A	BKN-c 4P C25A	06140948R0	30	
	32A	BKN-c 4P C32A	06140949R0	30	
	40A	BKN-c 4P C40A	06140950R0	30	
	50A	BKN-c 4P C50A	06140951R0	30	
	63A	BKN-c 4P C63A	06140952R0	30	

# Miniature Circuit Breakers DIN rail mounting

## BKN-c type, D curve



### 6kA at 230/400VAC



BKN-c 1P

Pole	In	Model	Order No.	Pack. unit (Pcs.)	Price
1P	1A	BKN-c 1P D1A	06110994R0	120	
	2A	BKN-c 1P D2A	06110995R0	120	
	3A	BKN-c 1P D3A	06110996R0	120	
	4A	BKN-c 1P D4A	06110997R0	120	
	6A	BKN-c 1P D6A	06110998R0	120	
	10A	BKN-c 1P D10A	06110999R0	120	
	16A	BKN-c 1P D16A	06111000R0	120	
	20A	BKN-c 1P D20A	06111001R0	120	
	25A	BKN-c 1P D25A	06111002R0	120	
	32A	BKN-c 1P D32A	06111003R0	120	
	40A	BKN-c 1P D40A	06111004R0	120	
	50A	BKN-c 1P D50A	06111005R0	120	
	63A	BKN-c 1P D63A	06111006R0	120	

### 6kA at 230/400VAC



BKN-c 1P+N

Pole	In	Model	Order No.	Pack. unit (Pcs.)	Price
1P+N	1A	BKN-c 1P+N D1A	06121177R0	60	
	2A	BKN-c 1P+N D2A	06121178R0	60	
	3A	BKN-c 1P+N D3A	06121179R0	60	
	4A	BKN-c 1P+N D4A	06121180R0	60	
	6A	BKN-c 1P+N D6A	06121181R0	60	
	10A	BKN-c 1P+N D10A	06121182R0	60	
	16A	BKN-c 1P+N D16A	06121183R0	60	
	20A	BKN-c 1P+N D20A	06121184R0	60	
	25A	BKN-c 1P+N D25A	06121185R0	60	
	32A	BKN-c 1P+N D32A	06121186R0	60	
	40A	BKN-c 1P+N D40A	06121187R0	60	
	50A	BKN-c 1P+N D50A	06121188R0	60	
	63A	BKN-c 1P+N D63A	06121189R0	60	

### 6kA at 400VAC



BKN-c 2P

Pole	In	Model	Order No.	Pack. unit (Pcs.)	Price
2P	1A	BKN-c 2P D1A	06121190R0	60	
	2A	BKN-c 2P D2A	06121191R0	60	
	3A	BKN-c 2P D3A	06121192R0	60	
	4A	BKN-c 2P D4A	06121193R0	60	
	6A	BKN-c 2P D6A	06121194R0	60	
	10A	BKN-c 2P D10A	06121195R0	60	
	16A	BKN-c 2P D16A	06121196R0	60	
	20A	BKN-c 2P D20A	06121197R0	60	
	25A	BKN-c 2P D25A	06121198R0	60	
	32A	BKN-c 2P D32A	06121199R0	60	
	40A	BKN-c 2P D40A	06121200R0	60	
	50A	BKN-c 2P D50A	06121201R0	60	
	63A	BKN-c 2P D63A	06121202R0	60	

## BKN-c type, D curve



### 6kA at 400VAC



BKN-c 3P

Pole	In	Model	Order No.	Pack. unit (Pcs.)	Price
3P	1A	BKN-c 3P D1A	06130511R0	40	
	2A	BKN-c 3P D2A	06130512R0	40	
	3A	BKN-c 3P D3A	06130513R0	40	
	4A	BKN-c 3P D4A	06130514R0	40	
	6A	BKN-c 3P D6A	06130515R0	40	
	10A	BKN-c 3P D10A	06130516R0	40	
	16A	BKN-c 3P D16A	06130517R0	40	
	20A	BKN-c 3P D20A	06130518R0	40	
	25A	BKN-c 3P D25A	06130519R0	40	
	32A	BKN-c 3P D32A	06130520R0	40	
	40A	BKN-c 3P D40A	06130521R0	40	
	50A	BKN-c 3P D50A	06130522R0	40	
	63A	BKN-c 3P D63A	06130523R0	40	

### 6kA at 400VAC



BKN-c 3P+N

Pole	In	Model	Order No.	Pack. unit (Pcs.)	Price
3P+N	1A	BKN-c 3P+N D1A	06140953R0	30	
	2A	BKN-c 3P+N D2A	06140954R0	30	
	3A	BKN-c 3P+N D3A	06140955R0	30	
	4A	BKN-c 3P+N D4A	06140956R0	30	
	6A	BKN-c 3P+N D6A	06140957R0	30	
	10A	BKN-c 3P+N D10A	06140958R0	30	
	16A	BKN-c 3P+N D16A	06140959R0	30	
	20A	BKN-c 3P+N D20A	06140960R0	30	
	25A	BKN-c 3P+N D25A	06140961R0	30	
	32A	BKN-c 3P+N D32A	06140962R0	30	
	40A	BKN-c 3P+N D40A	06140963R0	30	
	50A	BKN-c 3P+N D50A	06140964R0	30	
	63A	BKN-c 3P+N D63A	06140965R0	30	

### 6kA at 400VAC



BKN-c 4P

Pole	In	Model	Order No.	Pack. unit (Pcs.)	Price
4P	1A	BKN-c 4P D1A	06140966R0	30	
	2A	BKN-c 4P D2A	06140967R0	30	
	3A	BKN-c 4P D3A	06140968R0	30	
	4A	BKN-c 4P D4A	06140969R0	30	
	6A	BKN-c 4P D6A	06140970R0	30	
	10A	BKN-c 4P D10A	06140971R0	30	
	16A	BKN-c 4P D16A	06140972R0	30	
	20A	BKN-c 4P D20A	06140973R0	30	
	25A	BKN-c 4P D25A	06140974R0	30	
	32A	BKN-c 4P D32A	06140975R0	30	
	40A	BKN-c 4P D40A	06140976R0	30	
	50A	BKN-c 4P D50A	06140977R0	30	
	63A	BKN-c 4P D63A	06140978R0	30	

# Miniature Circuit Breakers

## DIN rail mounting

CE 10000  
3

CE  
Certificate



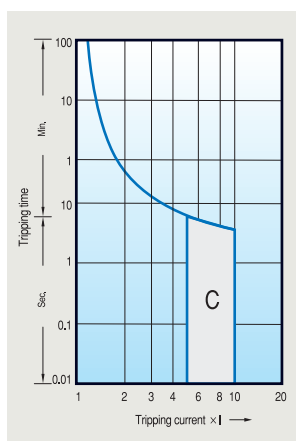
BKH 2P

### BKH type (High rupturing capacity)

#### Technical data

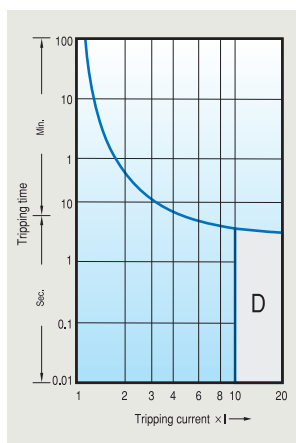
Standard	Confirming to IEC 60947-2
Approval	CCC, SEMKO CB, CE, SABS
Protection	Overload and short circuit
Rated current	63, 80, 100, 125A
Rated voltage	1pole 230VAC 50/60Hz 2, 3, 4pole 400VAC 50/60Hz
Breaking capacity	10kA
Characteristic	C, D curve
Number of poles	1P, 2P, 3P, 4P
Type of trip	Thermal magnetic release
Type of terminal	Lug type
Terminal capacity	Cables up to 50mm <sup>2</sup>
Installation	Mounting on 35mm DIN rail
Width	27mm per pole
Electrical endurance	1,500 operations

#### C curve



Pole	In	Model	Order No.	Pack. unit (Pcs.)	Price
1P	63A	BKH 1P C63A	06110329R0	72	
	80A	BKH 1P C80A	06110330R0	72	
	100A	BKH 1P C100A	06110331R0	72	
	125A	BKH 1P C125A	06110332R0	72	
2P	63A	BKH 2P C63A	06110337R0	36	
	80A	BKH 2P C80A	06110338R0	36	
	100A	BKH 2P C100A	06110339R0	36	
	125A	BKH 2P C125A	06110340R0	36	
3P	63A	BKH 3P C63A	06110345R0	24	
	80A	BKH 3P C80A	06110346R0	24	
	100A	BKH 3P C100A	06110347R0	24	
	125A	BKH 3P C125A	06110348R0	24	
4P	63A	BKH 4P C63A	06110361R0	18	
	80A	BKH 4P C80A	06110362R0	18	
	100A	BKH 4P C100A	06110363R0	18	
	125A	BKH 4P C125A	06110364R0	18	

#### D curve



Pole	In	Model	Order No.	Pack. unit (Pcs.)	Price
1P	63A	BKH 1P D63A	06110333R0	72	
	80A	BKH 1P D80A	06110334R0	72	
	100A	BKH 1P D100A	06110335R0	72	
	125A	BKH 1P D125A	06110336R0	72	
2P	63A	BKH 2P D63A	06110341R0	36	
	80A	BKH 2P D80A	06110342R0	36	
	100A	BKH 2P D100A	06110343R0	36	
	125A	BKH 2P D125A	06110344R0	36	
3P	63A	BKH 3P D63A	06110349R0	24	
	80A	BKH 3P D80A	06110350R0	24	
	100A	BKH 3P D100A	06110351R0	24	
	125A	BKH 3P D125A	06110352R0	24	
4P	63A	BKH 4P D63A	06110365R0	18	
	80A	BKH 4P D80A	06110366R0	18	
	100A	BKH 4P D100A	06110367R0	18	
	125A	BKH 4P D125A	06110368R0	18	

## BFN type



BFN

### Technical data

Standard	IEC 60947-2
Approval	SEMKO CB, CE
Protection	Overload and short circuit
Rated current	5, 10, 15, 20, 25, 30, 40, 50A
Rated voltage	1pole 10kA at 230VAC 2, 3pole 10kA at 400VAC
Breaking capacity	10kA
Number of poles	1, 2, 3pole
Type of trip	Thermal magnetic release
Type of terminal	Lug type (14-6 AWG.)
Installation	Plug-in
Width	60mm
Slot	56mm
Accessory	Not available

### BFN 10kA at 230VAC



1P

In	Model	Order No.	Pack. unit (Pcs.)	Price
5A	BFN 1P 5A	06110704R0	120	
10A	BFN 1P 10A	06110705R0	120	
15A	BFN 1P 15A	06110706R0	120	
20A	BFN 1P 20A	06110707R0	120	
30A	BFN 1P 30A	06110708R0	120	
40A	BFN 1P 40A	06110709R0	120	
50A	BFN 1P 50A	06110711R0	120	
Weight/pc			0.14kg	

### BFN 10kA at 400VAC



2P

In	Model	Order No.	Pack. unit (Pcs.)	Price
5A	BFN 2P 5A	06120681R0	60	
10A	BFN 2P 10A	06120682R0	60	
15A	BFN 2P 15A	06120683R0	60	
20A	BFN 2P 20A	06120684R0	60	
30A	BFN 2P 30A	06120685R0	60	
40A	BFN 2P 40A	06120686R0	60	
50A	BFN 2P 50A	06120687R0	60	
Weight/pc			0.29kg	

### BFN 10kA at 400VAC



3P

In	Model	Order No.	Pack. unit (Pcs.)	Price
5A	BFN 3P 5A	06130239R0	40	
10A	BFN 3P 10A	06130240R0	40	
15A	BFN 3P 15A	06130241R0	40	
20A	BFN 3P 20A	06130242R0	40	
30A	BFN 3P 30A	06130243R0	40	
40A	BFN 3P 40A	06130244R0	40	
50A	BFN 3P 50A	06130245R0	40	
Weight/pc			0.43kg	

# Residual Current Circuit Breakers With Overcurrent protection

## DIN rail mounting

CE  
Certificate



RKP 1P+N

### RKP type

#### Technical data

Protection	Ground fault and overcurrent	
Rated current	3 (C, D curve), 6, 10, 16, 20, 25, 32A (B, C, D curve)	
Rated residual current	Operating, $I_{\Delta n}$	30, 100, 300mA (Non-adjustable)
	Non-operating, $I_{\Delta no}$	$0.5I_{\Delta n}$
Number of poles	1P+N	
Rated voltage	230VAC	
Residual current off-time	$\leq 0.1$ sec.	
Standard	IEC 61009	
Approval	CCC, SEMKO CB, CE, SABS	
Type of trip	Ground fault	Electronic
	Overcurrent	Thermal-magnetic
Breaking capacity	4.5kA	
Electrical endurance	4,000 operations	
Mount	On 35mm DIN rail	
Width	9mm per pole	
Terminal	Lug type (Cable up to 10mm <sup>2</sup> )	

#### RKP B curve

In	$I_{\Delta n}$	Model	Order No.	Pack. unit (Pcs.)
3A	30mA	Not applicable	Not applicable	Not applicable
	100mA	Not applicable	Not applicable	Not applicable
	300mA	Not applicable	Not applicable	Not applicable
6A	30mA	RKP 1P+N B6A 30mA	06220123R0	60
	100mA	RKP 1P+N B6A 100mA	06220124R0	60
	300mA	RKP 1P+N B6A 300mA	06220125R0	60
10A	30mA	RKP 1P+N B10A 30mA	06220127R0	60
	100mA	RKP 1P+N B10A 100mA	06220128R0	60
	300mA	RKP 1P+N B10A 300mA	06220129R0	60
16A	30mA	RKP 1P+N B16A 30mA	06220131R0	60
	100mA	RKP 1P+N B16A 100mA	06220132R0	60
	300mA	RKP 1P+N B16A 300mA	06220133R0	60
20A	30mA	RKP 1P+N B20A 30mA	06220135R0	60
	100mA	RKP 1P+N B20A 100mA	06220136R0	60
	300mA	RKP 1P+N B20A 300mA	06220137R0	60
25A	30mA	RKP 1P+N B25A 30mA	06220139R0	60
	100mA	RKP 1P+N B25A 100mA	06220140R0	60
	300mA	RKP 1P+N B25A 300mA	06220141R0	60
32A	30mA	RKP 1P+N B32A 30mA	06220143R0	60
	100mA	RKP 1P+N B32A 100mA	06220144R0	60
	300mA	RKP 1P+N B32A 300mA	06220145R0	60



CE  
Certificate


RKP 1P+N

## RKP type

### RKP C curve

In	I <sub>Δn</sub>	Model	Order No.	Pack. unit (Pcs.)
3A	30mA	RKP 1P+N C3A 30mA	06220147R0	60
	100mA	RKP 1P+N C3A 100mA	06220148R0	60
	300mA	RKP 1P+N C3A 300mA	06220149R0	60
6A	30mA	RKP 1P+N C6A 30mA	06220151R0	60
	100mA	RKP 1P+N C6A 100mA	06220152R0	60
	300mA	RKP 1P+N C6A 300mA	06220153R0	60
10A	30mA	RKP 1P+N C10A 30mA	06220155R0	60
	100mA	RKP 1P+N C10A 100mA	06220156R0	60
	300mA	RKP 1P+N C10A 300mA	06220157R0	60
16A	30mA	RKP 1P+N C16A 30mA	06220159R0	60
	100mA	RKP 1P+N C16A 100mA	06220160R0	60
	300mA	RKP 1P+N C16A 300mA	06220161R0	60
20A	30mA	RKP 1P+N C20A 30mA	06220163R0	60
	100mA	RKP 1P+N C20A 100mA	06220164R0	60
	300mA	RKP 1P+N C20A 300mA	06220165R0	60
25A	30mA	RKP 1P+N C25A 30mA	06220167R0	60
	100mA	RKP 1P+N C25A 100mA	06220168R0	60
	300mA	RKP 1P+N C25A 300mA	06220169R0	60
32A	30mA	RKP 1P+N C32A 30mA	06220171R0	60
	100mA	RKP 1P+N C32A 100mA	06220172R0	60
	300mA	RKP 1P+N C32A 300mA	06220173R0	60

 CE  
Certificate

### RKP D curve

In	I <sub>Δn</sub>	Model	Order No.	Pack. unit (Pcs.)
3A	30mA	RKP 1P+N D3A 30mA	06220175R0	60
	100mA	RKP 1P+N D3A 100mA	06220176R0	60
	300mA	RKP 1P+N D3A 300mA	06220177R0	60
6A	30mA	RKP 1P+N D6A 30mA	06220179R0	60
	100mA	RKP 1P+N D6A 100mA	06220180R0	60
	300mA	RKP 1P+N D6A 300mA	06220181R0	60
10A	30mA	RKP 1P+N D10A 30mA	06220183R0	60
	100mA	RKP 1P+N D10A 100mA	06220184R0	60
	300mA	RKP 1P+N D10A 300mA	06220185R0	60
16A	30mA	RKP 1P+N D16A 30mA	06220187R0	60
	100mA	RKP 1P+N D16A 100mA	06220188R0	60
	300mA	RKP 1P+N D16A 300mA	06220189R0	60
20A	30mA	RKP 1P+N D10A 30mA	06220191R0	60
	100mA	RKP 1P+N D10A 100mA	06220192R0	60
	300mA	RKP 1P+N D10A 300mA	06220193R0	60
25A	30mA	RKP 1P+N D25A 30mA	06220195R0	60
	100mA	RKP 1P+N D25A 100mA	06220196R0	60
	300mA	RKP 1P+N D25A 300mA	06220197R0	60
32A	30mA	RKP 1P+N D32A 30mA	06220199R0	60
	100mA	RKP 1P+N D32A 100mA	06220200R0	60
	300mA	RKP 1P+N D32A 300mA	06220201R0	60

# Residual Current Circuit Breakers With Overcurrent Protection

## DIN rail mounting



Certificate



RKS 1+N

### RKS type

#### Technical data

Standard	Confirming to IEC 61009	
Approval	SEMKO CB, CE, SABS	
Protection	Ground fault and overcurrent	
Rated current	6, 10, 16, 20, 25, 32A	
Rated voltage	230VAC	
Breaking capacity	10kA	
Characteristic	B, C curve	
Rated residual operating current	30, 100mA	
Number of poles	1P+N	
Type of trip	Ground fault	Electronic
	Overcurrent	Thermal-magnetic
Terminal	Lug type (Cables up to 10mm <sup>2</sup> )	
Mount	35mm DIN rail	
Width	18mm	
Electrical endurance	4,000 operations	

#### RKS B curve

In	I <sub>Δn</sub>	Model	Order No.	Pack. unit (Pcs.)
6A	30mA	RKS 1P+N B6A 30mA	06220395R0	50
	100mA	RKS 1P+N B6A 100mA	06220396R0	50
10A	30mA	RKS 1P+N B10A 30mA	06220397R0	50
	100mA	RKS 1P+N B10A 100mA	06220398R0	50
16A	30mA	RKS 1P+N B16A 30mA	06220399R0	50
	100mA	RKS 1P+N B16A 100mA	06220400R0	50
20A	30mA	RKS 1P+N B20A 30mA	06220401R0	50
	100mA	RKS 1P+N B20A 100mA	06220402R0	50
25A	30mA	RKS 1P+N B25A 30mA	06220403R0	50
	100mA	RKS 1P+N B25A 100mA	06220404R0	50
32A	30mA	RKS 1P+N B32A 30mA	06220405R0	50
	100mA	RKS 1P+N B32A 100mA	06220406R0	50

#### RKS C curve

In	I <sub>Δn</sub>	Model	Order No.	Pack. unit (Pcs.)
6A	30mA	RKS 1P+N C6A 30mA	06220407R0	50
	100mA	RKS 1P+N C6A 100mA	06220408R0	50
10A	30mA	RKS 1P+N C10A 30mA	06220409R0	50
	100mA	RKS 1P+N C10A 100mA	06220410R0	50
16A	30mA	RKS 1P+N C16A 30mA	06220411R0	50
	100mA	RKS 1P+N C16A 100mA	06220412R0	50
20A	30mA	RKS 1P+N C20A 30mA	06220413R0	50
	100mA	RKS 1P+N C20A 100mA	06220414R0	50
25A	30mA	RKS 1P+N C25A 30mA	06220415R0	50
	100mA	RKS 1P+N C25A 100mA	06220416R0	50
32A	30mA	RKS 1P+N C32A 30mA	06220417R0	50
	100mA	RKS 1P+N C32A 100mA	06220418R0	50

## RKS-b type

CE  
Certificate



RKS-b 1+N

### Technical data

Standard	Confirming to IEC 61009	
Approval	SEMKO CB, CE	
Protection	Ground fault and overcurrent	
Rated current	6, 10, 16, 20, 25, 32, 40, 50A	
Rated voltage	240VAC	
Breaking capacity	10kA	
Characteristic	B, C curve	
Rated residual operating current	30, 100mA	
Number of poles	1P+N	
Type of trip	Ground fault	Electronic
	Overcurrent	Thermal-magnetic
Terminal	Lug type (Cables up to 10mm <sup>2</sup> )	
Mount	35mm DIN rail	
Width	18mm	
Electrical endurance	4,000 operations	

### RKS B curve

In	I <sub>Δn</sub>	Model	Order No.	Pack. unit (Pcs.)
6A	30mA	RKS-b 1P+N B6A 30mA	06220615R0	50
	100mA	RKS-b 1P+N B6A 100mA	06220616R0	50
10A	30mA	RKS-b 1P+N B10A 30mA	06220617R0	50
	100mA	RKS-b 1P+N B10A 100mA	06220618R0	50
16A	30mA	RKS-b 1P+N B16A 30mA	06220619R0	50
	100mA	RKS-b 1P+N B16A 100mA	06220620R0	50
20A	30mA	RKS-b 1P+N B20A 30mA	06220621R0	50
	100mA	RKS-b 1P+N B20A 100mA	06220622R0	50
25A	30mA	RKS-b 1P+N B25A 30mA	06220623R0	50
	100mA	RKS-b 1P+N B25A 100mA	06220624R0	50
32A	30mA	RKS-b 1P+N B32A 30mA	06220625R0	50
	100mA	RKS-b 1P+N B32A 100mA	06220626R0	50
40A	30mA	RKS-b 1P+N B40A 30mA	06220627R0	50
	100mA	RKS-b 1P+N B40A 100mA	06220628R0	50
50A	30mA	RKS-b 1P+N B50A 30mA	06220629R0	50
	100mA	RKS-b 1P+N B50A 100mA	06220630R0	50

### RKS C curve

In	I <sub>Δn</sub>	Model	Order No.	Pack. unit (Pcs.)
6A	30mA	RKS-b 1P+N C6A 30mA	06220647R0	50
	100mA	RKS-b 1P+N C6A 100mA	06220648R0	50
10A	30mA	RKS-b 1P+N C10A 30mA	06220649R0	50
	100mA	RKS-b 1P+N C10A 100mA	06220650R0	50
16A	30mA	RKS-b 1P+N C16A 30mA	06220651R0	50
	100mA	RKS-b 1P+N C16A 100mA	06220652R0	50
20A	30mA	RKS-b 1P+N C20A 30mA	06220653R0	50
	100mA	RKS-b 1P+N C20A 100mA	06220654R0	50
25A	30mA	RKS-b 1P+N C25A 30mA	06220655R0	50
	100mA	RKS-b 1P+N C25A 100mA	06220656R0	50
32A	30mA	RKS-b 1P+N C32A 30mA	06220657R0	50
	100mA	RKS-b 1P+N C32A 100mA	06220658R0	50
40A	30mA	RKS-b 1P+N C40A 30mA	06220659R0	50
	100mA	RKS-b 1P+N C40A 100mA	06220660R0	50
50A	30mA	RKS-b 1P+N C50A 30mA	06220661R0	50
	100mA	RKS-b 1P+N C50A 100mA	06220662R0	50

# Residual Current Circuit Breakers With Overcurrent Protection

## DIN rail mounting

### RKC type



RKC 1+N

#### Technical data

Standard	Confirming to IEC 61009
Approval	SEMKO CB, CE
Protection	Ground fault and overcurrent
Rated current	6, 10, 16, 20, 25, 32A
Rated voltage	240VAC
Breaking capacity	6kA (32A 4.5kA)
Characteristic	B, C curve
Rated residual operating current	10, 30mA
Number of poles	1P+N
Type of trip	Ground fault Overcurrent
	Electronic Thermal-magnetic
Terminal	Lug type (Cables up to 10mm <sup>2</sup> )
Mount	35mm DIN rail
Width	18mm
Electrical endurance	4,000 operations

#### RKC B curve AC type new ROGY

In	I <sub>Δn</sub>	Model	Order No.	Pack. unit (Pcs.)
6A	10mA	RKC 1P+N B6A 10mA 6kA	06221020R0	12
	30mA	RKC 1P+N B6A 30mA 6kA	06221026R0	12
10A	10mA	RKC 1P+N B10A 10mA 6kA	06221021R0	12
	30mA	RKC 1P+N B10A 30mA 6kA	06221027R0	12
16A	10mA	RKC 1P+N B16A 10mA 6kA	06221022R0	12
	30mA	RKC 1P+N B16A 30mA 6kA	06221028R0	12
20A	10mA	RKC 1P+N B20A 10mA 6kA	06221023R0	12
	30mA	RKC 1P+N B20A 30mA 6kA	06221029R0	12
25A	10mA	RKC 1P+N B25A 10mA 6kA	06221024R0	12
	30mA	RKC 1P+N B25A 30mA 6kA	06221030R0	12
32A	10mA	RKC 1P+N B32A 10mA 4.5kA	06221025R0	12
	30mA	RKC 1P+N B32A 30mA 4.5kA	06221031R0	12

#### RKC C curve AC type new ROGY

In	I <sub>Δn</sub>	Model	Order No.	Pack. unit (Pcs.)
6A	10mA	RKC 1P+N C6A 10mA 6kA	06221032R0	12
	30mA	RKC 1P+N C6A 30mA 6kA	06221038R0	12
10A	10mA	RKC 1P+N C10A 10mA 6kA	06221033R0	12
	30mA	RKC 1P+N C10A 30mA 6kA	06221039R0	12
16A	10mA	RKC 1P+N C16A 10mA 6kA	06221034R0	12
	30mA	RKC 1P+N C16A 30mA 6kA	06221040R0	12
20A	10mA	RKC 1P+N C20A 10mA 6kA	06221035R0	12
	30mA	RKC 1P+N C20A 30mA 6kA	06221041R0	12
25A	10mA	RKC 1P+N C25A 10mA 6kA	06221036R0	12
	30mA	RKC 1P+N C25A 30mA 6kA	06221042R0	12
32A	10mA	RKC 1P+N C32A 10mA 4.5kA	06221037R0	12
	30mA	RKC 1P+N C32A 30mA 4.5kA	06221043R0	12

## RKC type

CE  
Certificate



### RKC B curve A type new ROGY

In	I $\Delta$ n	Model	Order No.	Pack. unit (Pcs.)
6A	10mA	RKC 1P+N B6A 10mA 6kA	06221044R0	12
	30mA	RKC 1P+N B6A 30mA 6kA	06221050R0	12
10A	10mA	RKC 1P+N B10A 10mA 6kA	06221045R0	12
	30mA	RKC 1P+N B10A 30mA 6kA	06221051R0	12
16A	10mA	RKC 1P+N B16A 10mA 6kA	06221046R0	12
	30mA	RKC 1P+N B16A 30mA 6kA	06221052R0	12
20A	10mA	RKC 1P+N B20A 10mA 6kA	06221047R0	12
	30mA	RKC 1P+N B20A 30mA 6kA	06221053R0	12
25A	10mA	RKC 1P+N B25A 10mA 6kA	06221048R0	12
	30mA	RKC 1P+N B25A 30mA 6kA	06221054R0	12
32A	10mA	RKC 1P+N B32A 10mA 4.5kA	06221049R0	12
	30mA	RKC 1P+N B32A 30mA 4.5kA	06221055R0	12

### RKC C curve A type new ROGY

In	I $\Delta$ n	Model	Order No.	Pack. unit (Pcs.)
6A	10mA	RKC 1P+N C6A 10mA 6kA	06221056R0	12
	30mA	RKC 1P+N C6A 30mA 6kA	06221062R0	12
10A	10mA	RKC 1P+N C10A 10mA 6kA	06221057R0	12
	30mA	RKC 1P+N C10A 30mA 6kA	06221063R0	12
16A	10mA	RKC 1P+N C16A 10mA 6kA	06221058R0	12
	30mA	RKC 1P+N C16A 30mA 6kA	06221064R0	12
20A	10mA	RKC 1P+N C20A 10mA 6kA	06221059R0	12
	30mA	RKC 1P+N C20A 30mA 6kA	06221065R0	12
25A	10mA	RKC 1P+N C25A 10mA 6kA	06221060R0	12
	30mA	RKC 1P+N C25A 30mA 6kA	06221066R0	12
32A	10mA	RKC 1P+N C32A 10mA 4.5kA	06221061R0	12
	30mA	RKC 1P+N C32A 30mA 4.5kA	06221067R0	12

# Residual Current Circuit Breakers With Overcurrent Protection

## DIN rail & Screw type

CE  
Certificate



32KGRc/d

### KGR type

#### Technical data

Type	32KGRc	32KGRd
Protection	Ground fault and overcurrent	
Rated current	15, 20, 30A	
Rated residual current		
Operating, $I_{\Delta n}$	15, 30mA (Non-adjustable)	
Non-operating, $I_{\Delta no}$	0.5 $I_{\Delta n}$	
Number of poles	2pole	
Rated voltage	110/220VAC	
Residual current off-time	≤ 0.03 sec.	
Standard	IEC 61009, KS	
Approval	CCC CB	
Type of trip		
Ground fault	Electronic	
Overcurrent	Bimetallic	
Breaking capacity	1.5kA	2.5kA
Electrical endurance	4,000 operations	
Mount	On 35mm DIN rail	
Width	35mm	
Terminal	Screw clamp type (Cable up to 5.5mm <sup>2</sup> )	

#### 32KGRc type

In	$I_{\Delta n}$	Model	Order No.	Pack. unit (Pcs.)
15A	15mA	32KGRc 15A 15mA 0.03S	0750000400	60
	30mA	32KGRc 15A 30mA 0.03S	0750000100	60
20A	15mA	32KGRc 20A 15mA 0.03S	0750000500	60
	30mA	32KGRc 20A 30mA 0.03S	0750000200	60
32A	15mA	32KGRc 30A 15mA 0.03S	0750000600	60
	30mA	32KGRc 30A 30mA 0.03S	0750000300	60

#### 32KGRd type

In	$I_{\Delta n}$	Model	Order No.	Pack. unit (Pcs.)
15A	15mA	32KGRd 15A 15mA 0.03S	0748001000	60
	30mA	32KGRd 15A 30mA 0.03S	0748001100	60
20A	15mA	32KGRd 20A 15mA 0.03S	0748001200	60
	30mA	32KGRd 20A 30mA 0.03S	0748001300	60
32A	15mA	32KGRd 30A 15mA 0.03S	0748001400	60
	30mA	32KGRd 30A 30mA 0.03S	0748001500	60

CE  
Certificate


32GRhc/d

## GRh type

### Technical data

Type	32GRhc	32GRhd
Protection	Ground fault and overcurrent	
Rated current	15, 20, 30A	
Rated residual current		
Operating, $I_{\Delta n}$	15, 30mA (Non-adjustable)	
Non-operating, $I_{\Delta no}$	$0.5I_{\Delta n}$	
Number of poles	2pole	
Rated voltage	110/220VAC	
Residual current off-time	$\leq 0.03$ sec.	
Standard	KS	
Type of trip		
Ground fault	Electronic	
Overcurrent	Bimetallic	
Breaking capacity	1.5kA	2.5kA
Electrical endurance	4,000 operations	
Mount	On 35mm DIN rail	
Width	35mm	
Terminal	Screw clamp type (Cable up to 5.5mm <sup>2</sup> )	

# Residual Current Circuit Breakers With Overcurrent Protection

## DIN rail & Screw type

CE  
Certificate



BS32c/d

### BS type

#### Technical data

Type	BS32c	BS32d
Protection	Overload and short circuit	
Rated current	6, 10, 15, 20, 30A	10, 15, 20, 30A
Rated residual current		
Operating, $I_{\Delta n}$	15, 30mA (Non-adjustable)	
Non-operating, $I_{\Delta no}$	$0.5I_{\Delta n}$	
Number of poles	2pole	
Rated voltage	110/220VAC	
Residual current off-time	$\leq 0.03$ sec.	
Standard	IEC 60898-1, KS	
Approval	CCC CB	
Type of trip		
Ground fault	Electronic	
Overcurrent	Bimetallic	
Breaking capacity	1.5kA	2.5kA
Electrical endurance	4,000 operations	
Mount	On 35mm DIN rail	
Width	35mm	
Terminal	Screw clamp type (Cable up to 5.5mm <sup>2</sup> )	





Certificate



## RKN type

### Technical data

Standard	Confirming to IEC61008
Protection	Ground fault
Rated current	25, 32, 40, 63A
Number of poles	2 (1+N), 4 (3+N)pole
Rated sensitivity currents, $I_{\Delta n}$	30, 100, 300mA
Rated residual non-operating current	$0.5 \times I_{\Delta n}$
2pole	240VAC
4pole	240/415VAC
Residual current off-time at $I_{\Delta n}$	$\leq 0.1s$
Rated making capacity, $I_m$	500A for $I_n=25, 32, 40A$ 630A for $I_n=63A$
Rated conditional short-circuit current, $I_{nc}$	6kA for $I_n=25, 32, 40, 63A$
Type of trip	Electro-magnetic
Type of terminal	Lug type
Terminal capacity	Cables up to 35mm <sup>2</sup>
Installation	35mm DIN rail
Type of operation	A/AC
Slot size	45mm

### Order No.

Pole	$I_n$	$I_{\Delta n}$	Model	Order No.	Pack. unit (Pcs.)
1P+N	25A	30mA	RKN 1P+N 25A 30mA	06220103R0	60
			RKN 1P+N 32A 30mA	06220106R0	60
			RKN 1P+N 40A 30mA	06220109R0	60
			RKN 1P+N 63A 30mA	06220112R0	60
	32A	100mA	RKN 1P+N 25A 100mA	06220104R0	60
			RKN 1P+N 32A 100mA	06220107R0	60
			RKN 1P+N 40A 100mA	06220110R0	60
			RKN 1P+N 63A 100mA	06220113R0	60
	40A	300mA	RKN 1P+N 25A 300mA	06220105R0	60
			RKN 1P+N 32A 300mA	06220108R0	60
			RKN 1P+N 40A 300mA	06220111R0	60
			RKN 1P+N 63A 300mA	06220114R0	60

Pole	$I_n$	$I_{\Delta n}$	Model	Order No.	Pack. unit (Pcs.)
3P+N	25A	30mA	RKN 3P+N 25A 30mA	06240013R0	30
			RKN 3P+N 32A 30mA	06240016R0	30
			RKN 3P+N 40A 30mA	06240019R0	30
			RKN 3P+N 63A 30mA	06240022R0	30
	32A	100mA	RKN 3P+N 25A 100mA	06240014R0	30
			RKN 3P+N 32A 100mA	06240017R0	30
			RKN 3P+N 40A 100mA	06240020R0	30
			RKN 3P+N 63A 100mA	06240023R0	30
	40A	300mA	RKN 3P+N 25A 300mA	06240015R0	30
			RKN 3P+N 32A 300mA	06240018R0	30
			RKN 3P+N 40A 300mA	06240021R0	30
			RKN 3P+N 63A 300mA	06240024R0	30

# Residual Current Circuit Breakers

## DIN rail mounting

### RKN type

#### Order No. A type



Pole	In	I <sub>Δn</sub>	Model	Order No.	Pack. unit (Pcs.)
1P+N	25A	30mA	RKN 1P+N 25A 30mA A type	06220444R0	60
			RKN 1P+N 32A 30mA A type	06220447R0	60
			RKN 1P+N 40A 30mA A type	06220450R0	60
			RKN 1P+N 63A 30mA A type	06220453R0	60
	32A	100mA	RKN 1P+N 25A 100mA A type	06220445R0	60
			RKN 1P+N 32A 100mA A type	06220448R0	60
			RKN 1P+N 40A 100mA A type	06220451R0	60
			RKN 1P+N 63A 100mA A type	06220454R0	60
	40A	300mA	RKN 1P+N 25A 300mA A type	06220446R0	60
			RKN 1P+N 32A 300mA A type	06220449R0	60
			RKN 1P+N 40A 300mA A type	06220452R0	60
			RKN 1P+N 63A 300mA A type	06220455R0	60

Pole	In	I <sub>Δn</sub>	Model	Order No.	Pack. unit (Pcs.)
3P+N	25A	30mA	RKN 3P+N 25A 30mA A type	06220456R0	30
			RKN 3P+N 32A 30mA A type	06220459R0	30
			RKN 3P+N 40A 30mA A type	06220462R0	30
			RKN 3P+N 63A 30mA A type	06220465R0	30
	32A	100mA	RKN 3P+N 25A 100mA A type	06220457R0	30
			RKN 3P+N 32A 100mA A type	06220460R0	30
			RKN 3P+N 40A 100mA A type	06220463R0	30
			RKN 3P+N 63A 100mA A type	06220466R0	30
	40A	300mA	RKN 3P+N 25A 300mA A type	06220458R0	30
			RKN 3P+N 32A 300mA A type	06220461R0	30
			RKN 3P+N 40A 300mA A type	06220464R0	30
			RKN 3P+N 63A 300mA A type	06220467R0	30



## RKN-b type

### Technical data

Standard	Confirming to IEC61008
Protection	Ground fault
Rated current	63AF: 25, 40, 63A      100AF: 80, 100A
Number of poles	2 (1+N), 4 (3+N)pole
Rated sensitivity currents, $I_{\Delta n}$	30, 100, 300mA
Rated residual non-operating current	$0.5 \times I_{\Delta n}$
2pole	240VAC
4pole	240/415VAC
Residual current off-time at $I_{\Delta n}$	$\leq 0.1s$
Rated making capacity, $I_m$	500A for $I_n=25, 32, 40A$ 630A for $I_n=63A$ 800A for $I_n=80A$ 1000A for $I_n=100A$
Rated conditional short-circuit current, $I_{nc}$	10kA for $I_n=25, 40, 63, 80, 100A$
Type of trip	Electro-magnetic
Type of terminal	Lug type
Terminal capacity	Cables up to 35mm <sup>2</sup>
Installation	35mm DIN rail
Type of operation	A/AC
Slot size	45mm

### Order No.

Pole	$I_n$	$I_{\Delta n}$	Model	Order No.	Pack. unit (Pcs.)
1P+N	25A	30mA	RKN-b 1P+N 25A 30mA	06220663R0	60
			RKN-b 1P+N 40A 30mA	06220669R0	60
			RKN-b 1P+N 63A 30mA	06220672R0	60
			RKN-b 1P+N 80A 30mA	06220678R0	60
			RKN-b 1P+N 100A 30mA	06220681R0	60
	40A	100mA	RKN-b 1P+N 25A 100mA	06220664R0	60
			RKN-b 1P+N 40A 100mA	06220670R0	60
			RKN-b 1P+N 63A 100mA	06220673R0	60
			RKN-b 1P+N 80A 100mA	06220679R0	60
			RKN-b 1P+N 100A 100mA	06220682R0	60
	63A	300mA	RKN-b 1P+N 25A 300mA	06220665R0	60
			RKN-b 1P+N 40A 300mA	06220671R0	60
			RKN-b 1P+N 63A 300mA	06220674R0	60
			RKN-b 1P+N 80A 300mA	06220680R0	60
			RKN-b 1P+N 100A 300mA	06220683R0	60

Pole	$I_n$	$I_{\Delta n}$	Model	Order No.	Pack. unit (Pcs.)
1P+N	25A	30mA	RKN-b 3P+N 25A 100mA	06240095R0	30
			RKN-b 3P+N 40A 100mA	06240101R0	30
			RKN-b 3P+N 63A 100mA	06240104R0	30
			RKN-b 3P+N 80A 100mA	06240110R0	30
			RKN-b 3P+N 100A 100mA	06240113R0	30
	40A	100mA	RKN-b 3P+N 25A 300mA	06240096R0	30
			RKN-b 3P+N 40A 300mA	06240102R0	30
			RKN-b 3P+N 63A 300mA	06240105R0	30
			RKN-b 3P+N 80A 300mA	06240111R0	30
			RKN-b 3P+N 100A 300mA	06240114R0	30
	63A	300mA	RKN-b 3P+N 25A 300mA	06240096R0	30
			RKN-b 3P+N 40A 300mA	06240102R0	30
			RKN-b 3P+N 63A 300mA	06240105R0	30
			RKN-b 3P+N 80A 300mA	06240111R0	30
			RKN-b 3P+N 100A 300mA	06240114R0	30

# Residual Current Circuit Breakers

## DIN rail mounting

### RKN-b type

#### Order No. A type



Pole	In	I <sub>Δn</sub>	Model	Order No.	Pack. unit (Pcs.)
1P+N	25A	30mA	RKN-b 1P+N 25A 30mA A type	06220749R0	60
			RKN-b 1P+N 40A 30mA A type	06220755R0	60
			RKN-b 1P+N 63A 30mA A type	06220758R0	60
	40A	100mA	RKN-b 1P+N 25A 100mA A type	06220750R0	60
			RKN-b 1P+N 40A 100mA A type	06220756R0	60
			RKN-b 1P+N 63A 100mA A type	06220759R0	60
	63A	300mA	RKN-b 1P+N 25A 300mA A type	06220751R0	60
			RKN-b 1P+N 40A 300mA A type	06220757R0	60
			RKN-b 1P+N 63A 300mA A type	06220760R0	60

Pole	In	I <sub>Δn</sub>	Model	Order No.	Pack. unit (Pcs.)
3P+N	25A	30mA	RKN-b 3P+N 25A 30mA A type	06240148R0	30
			RKN-b 3P+N 40A 30mA A type	06240154R0	30
			RKN-b 3P+N 63A 30mA A type	06240157R0	30
	40A	100mA	RKN-b 3P+N 25A 100mA A type	06240149R0	30
			RKN-b 3P+N 40A 100mA A type	06240155R0	30
			RKN-b 3P+N 63A 100mA A type	06240158R0	30
	63A	300mA	RKN-b 3P+N 25A 300mA A type	06240150R0	30
			RKN-b 3P+N 40A 300mA A type	06240156R0	30
			RKN-b 3P+N 63A 300mA A type	06240159R0	30

#### Rated conditional short-circuit capacity

RCCB (RKN, RKN-b)		Rated conditional short-circuit capacity		
		BKN 1~63A (B, C, D)	BKN-b 1~63A (B, C, D)	BKH 63~125A (C, D)
1P+N	25A	6kA	10kA	-
	32A	6kA	10kA	-
	40A	6kA	10kA	-
	63A	6kA	10kA	10kA
	80A	-	-	10kA
	100A	-	-	10kA
3P+N	25A	6kA	10kA	-
	32A	6kA	10kA	-
	40A	6kA	10kA	-
	63A	6kA	10kA	10kA
	80A	-	-	10kA
	100A	-	-	10kA

## Isolator, BKD type

CE  
Certificate



### Technical data

Number of poles	1, 2, 3, 4pole	
Standard	IEC60947-3	
Rated current	40, 50, 63, 80, 100, 125A	
Rated voltages	230/400VAC	
Electrical endurance	63, 80, 100A	1500 operations
	125A	1000 operations
Type of terminal	Lug type	
Terminal capacity	Cables up to 50mm <sup>2</sup>	
Installation	Mounting on 35mm DIN rail	
Width	17.5mm per pole	

### Order No.

Pole	In	Model	Order No.	Pack. unit (Pcs.)
1P	40A	BKD 1P 40A	06110112R0	120
	50A	BKD 1P 50A	06110113R0	120
	63A	BKD 1P 63A	06110083R0	120
	80A	BKD 1P 80A	06110084R0	120
	100A	BKD 1P 100A	06110085R0	120
	125A	BKD 1P 125A	06110114R0	120

Pole	In	Model	Order No.	Pack. unit (Pcs.)
2P	40A	BKD 2P 40A	06120304R0	60
	50A	BKD 2P 50A	06120305R0	60
	63A	BKD 2P 63A	06120247R0	60
	80A	BKD 2P 80A	06120248R0	60
	100A	BKD 2P 100A	06120249R0	60
	125A	BKD 2P 125A	06120306R0	60

Pole	In	Model	Order No.	Pack. unit (Pcs.)
3P	40A	BKD 3P 40A	06130092R0	40
	50A	BKD 3P 50A	06130093R0	40
	63A	BKD 3P 63A	06130063R0	40
	80A	BKD 3P 80A	06130064R0	40
	100A	BKD 3P 100A	06130065R0	40
	125A	BKD 3P 125A	06130094R0	40

Pole	In	Model	Order No.	Pack. unit (Pcs.)
4P	40A	BKD 4P 40A	06140185R0	30
	50A	BKD 4P 50A	06140186R0	30
	63A	BKD 4P 63A	06140130R0	30
	80A	BKD 4P 80A	06140131R0	30
	100A	BKD 4P 100A	06140132R0	30
	125A	BKD 4P 125A	06140187R0	30

# 60mm depth Miniature Circuit Breakers

## BF type

### Description

- Trip unit with a fixed thermal and fixed magnetic trip
- All operating mechanisms are of the quick-make, quick-break type and "trip free"
- Two and three-pole breakers shall have common tripping of allpoles.
- Operating handle is "Trip to Off"
- Operating hand and face plate shall indicate rated ampacity.
- Thermal elements shall be calibrated to operate in a 40°C ambient environment in standard.
- Electrical durability: 10,000 operations at In
- Reference temperature: 40°C
- Connection by clamp terminal
- Offering the same slot and depth size with the GB type MCCBs.
  - 60mm depth
  - 50mm slot



BF-a, BF-c

### Technical data

Type	BF-a	BF-c
Rated current	10~100A	10~100A
Breaking capacity, Icu	240V	10kA
	415V	2.5kA (2, 3pole)
Rated insulation voltage	460VAC	
Number of poles	1, 2, 3pole	
Standard	IEC 60947-2	
Protection	Overload and short circuit	
Characteristic	See operating curves (p. 50)	
Type of trip	Thermal magnetic release	
Type of terminal	Clamp type	
Installation	Holder mounting (Bolt on with fixing brackets)	
Electrical endurance	1,500 operations	
Width	25mm per pole	
Slot	50mm	
Accessory	Not available	

## BF type

### BF-a (10kA at 240VAC/2.5kA at 415VAC)



1Pole					2Pole				3Pole			
In	Model	Order No.	Pack. unit (Pcs.)	Price	Model	Order No.	Pack. unit (Pcs.)	Price	Model	Order No.	Pack. unit (Pcs.)	Price
10A	BF51a 10A	0607005100	60		BF52a 10A	0607006500	30		BF53a 10A	0607007900	20	
15A	BF51a 15A	0607005200	60		BF52a 15A	0607006600	30		BF53a 15A	0607008000	20	
20A	BF51a 20A	0607005300	60		BF52a 20A	0607006700	30		BF53a 20A	0607008100	20	
30A	BF51a 30A	0607005400	60		BF52a 30A	0607006800	30		BF53a 30A	0607008200	20	
40A	BF51a 40A	0607005500	60		BF52a 40A	0607006900	30		BF53a 40A	0607008300	20	
50A	BF51a 50A	0607005600	60		BF52a 50A	0607007000	30		BF53a 50A	0607008400	20	
60A	BF101a 60A	0608002100	60		BF102a 60A	0608002700	30		BF103a 60A	0608003300	20	
75A	BF101a 75A	0608002200	60		BF102a 75A	0608002800	30		BF103a 75A	0608003400	20	
100A	BF101a 100A	0608002300	60		BF102a 100A	0608002900	30		BF103a 100A	0608003500	20	
Weight/pc	0.11kg				0.23kg				0.35kg			

### BF-c (For 5kA at 240VAC/2.5kA at 415VAC)

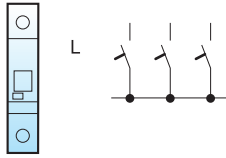
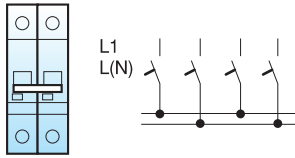
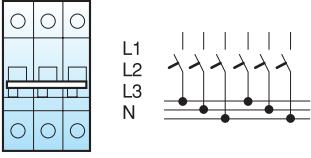
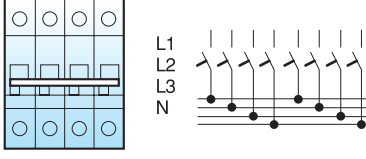
1Pole					2Pole				3Pole			
In	Model	Order No.	Pack. unit (Pcs.)	Price	Model	Order No.	Pack. unit (Pcs.)	Price	Model	Order No.	Pack. unit (Pcs.)	Price
10A	BF51c 10A	0607005800	60		BF52c 10A	0607007200	30		BF53c 10A	0607008600	20	
15A	BF51c 15A	0607005900	60		BF52c 15A	0607007300	30		BF53c 15A	0607008700	20	
20A	BF51c 20A	0607006000	60		BF52c 20A	0607007400	30		BF53c 20A	0607008800	20	
30A	BF51c 30A	0607006100	60		BF52c 30A	0607007500	30		BF53c 30A	0607008900	20	
40A	BF51c 40A	0607006200	60		BF52c 40A	0607007600	30		BF53c 40A	0607009000	20	
50A	BF51c 50A	0607006300	60		BF52c 50A	0607007700	30		BF53c 50A	0607009100	20	
60A	BF101c 60A	0608002400	60		BF102c 60A	0608003000	30		BF103c 60A	0608003600	20	
75A	BF101c 75A	0608002500	60		BF102c 75A	0608003100	30		BF103c 75A	0608003700	20	
100A	BF101c 100A	0608002600	60		BF102c 100A	0608003200	30		BF103c 100A	0608003800	20	
Weight/pc	0.11kg				0.23kg				0.35kg			

# Standard busbars



## Description

- Applicable to the 18mm wide module devices
- Rated voltage: 415VAC
- Current rating: 63A
- Standard length: 1m

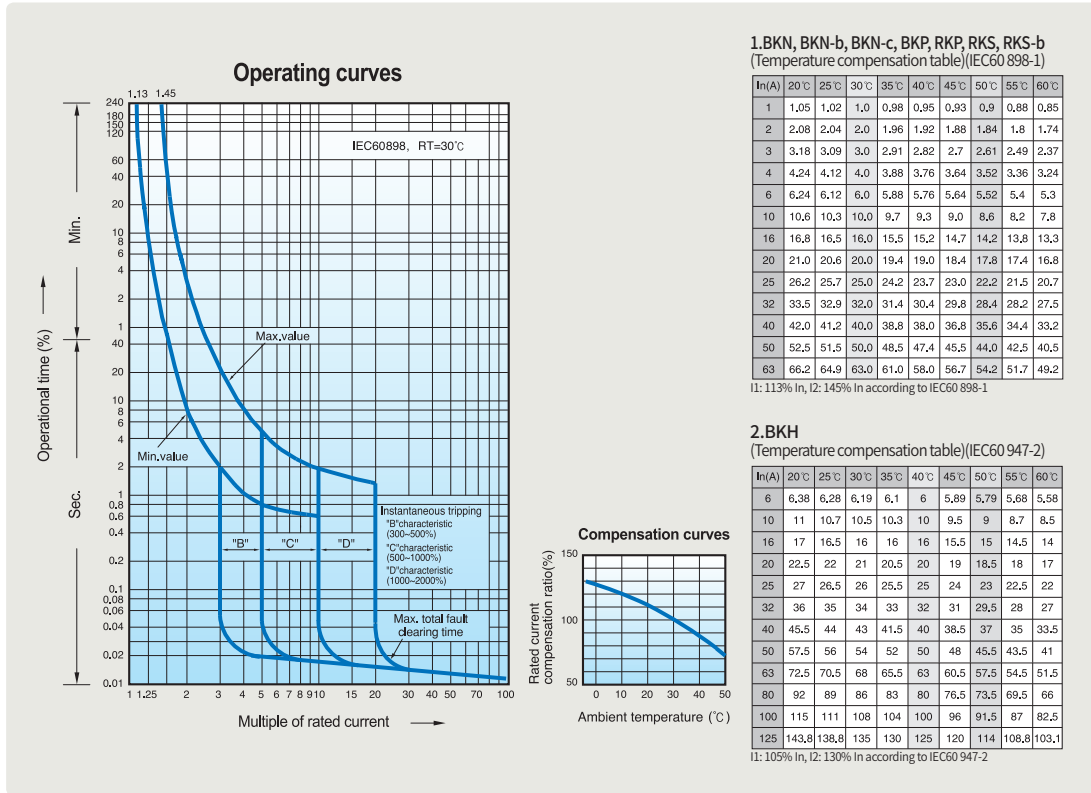
Type BB101	For single pole device 
Type BB102	
Type BB201	For 2-pole device 
Type BB202	
Type BB301	For 3-pole device 
Type BB302	
Type BB401	For 4-pole device 
Type BB402	

Model	Order No.
Busbar, type BB101, BKN 1P	70211413001
Busbar, type BB102, BKM 1P	70211413002
Busbar, type BB201, BKN 2P	70211413003
Busbar, type BB202, BKM 2P	70211413004
Busbar, type BB301, BKN 3P	70211413005
Busbar, type BB302, BKM 3P	70211413006
Busbar, type BB401, BKN 4P	70211413007
Busbar, type BB102, BKM 4P	70211413008

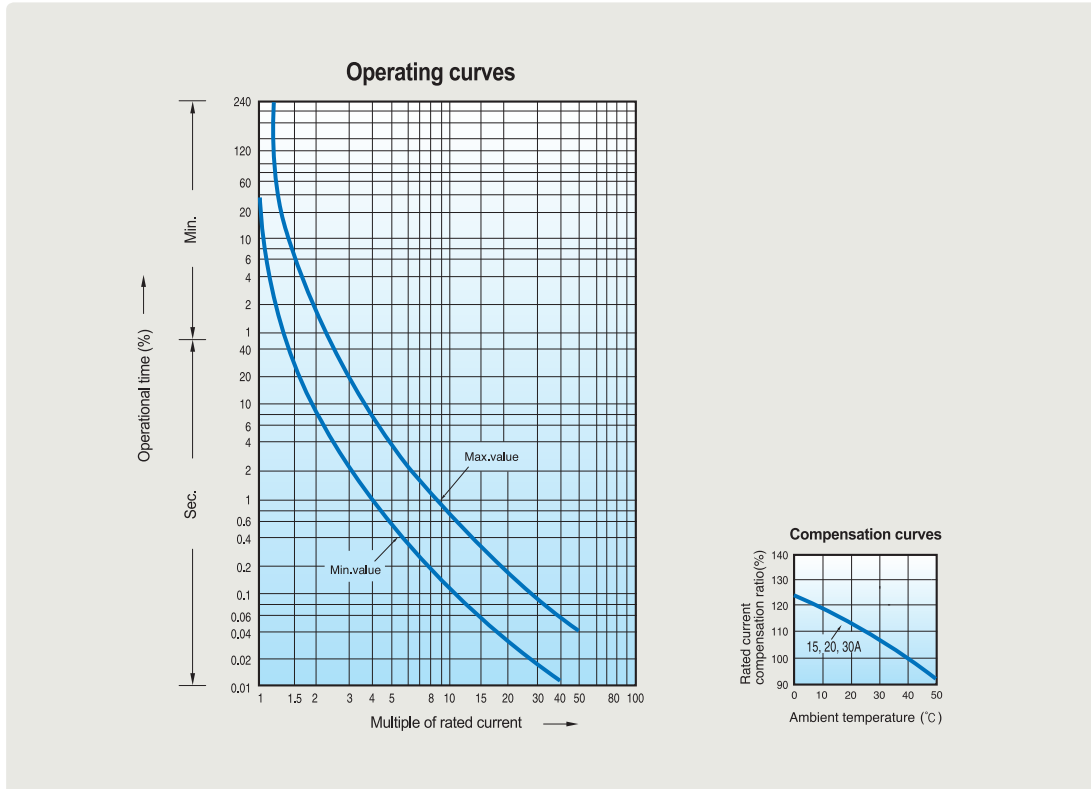


# Characteristics curves & temperature compensation

- BKN
- BKN-b
- BKN-c
- BKH
- BKP
- RKP
- RKS
- RKS-b

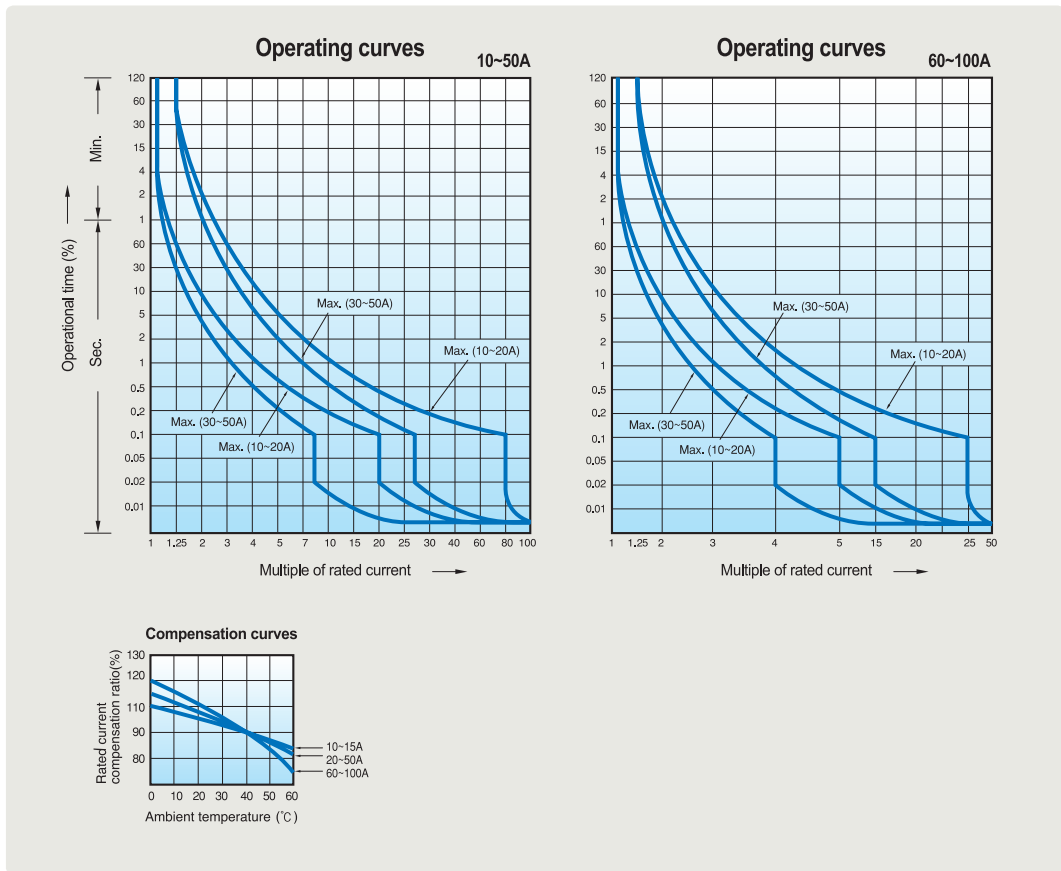


- 32KGRc
- 32KGRd

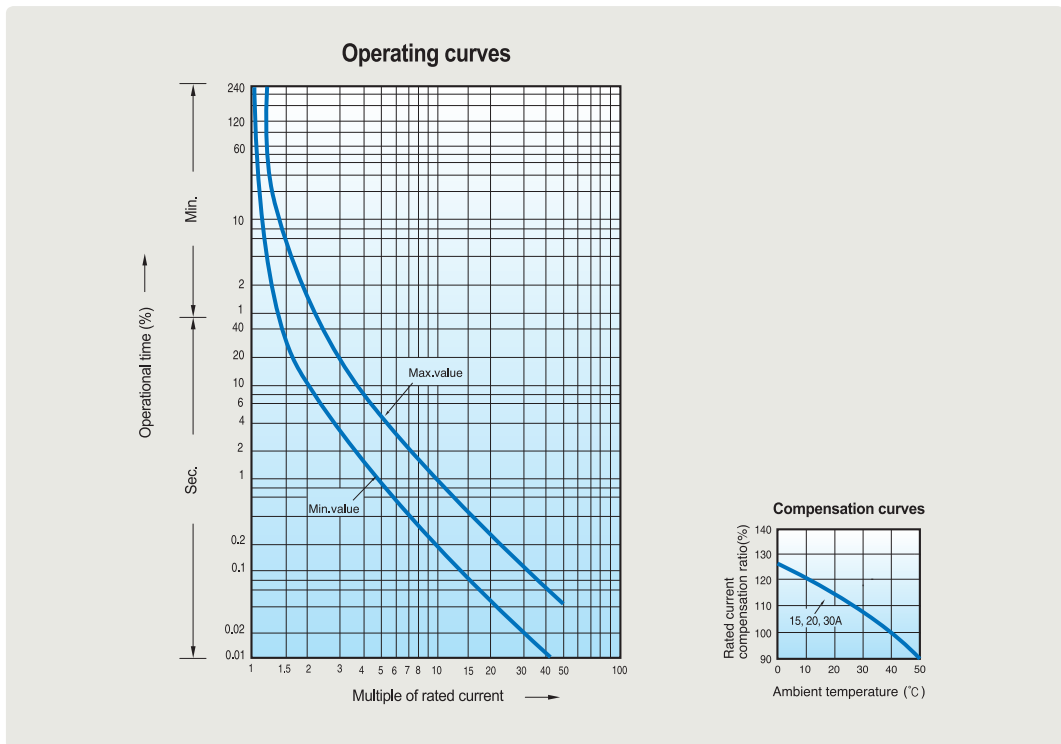


# Characteristics curves & temperature compensation

- BF-a
- BF-c

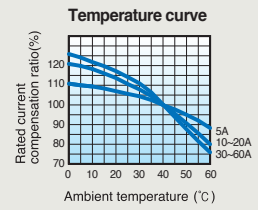
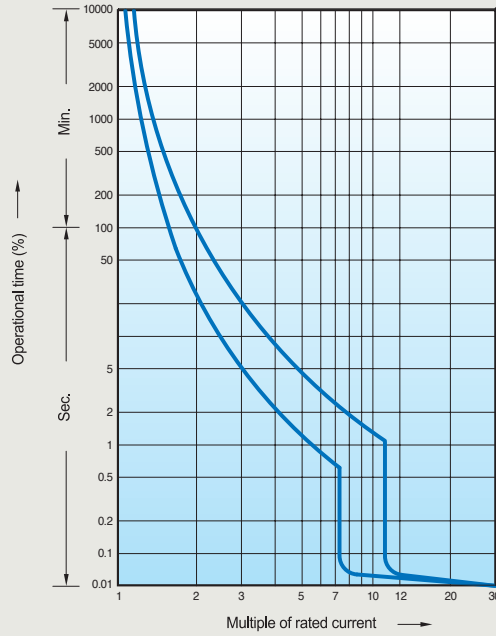


- 32GRhc
- 32GRhd



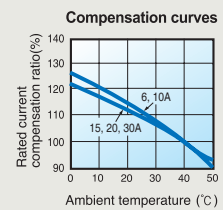
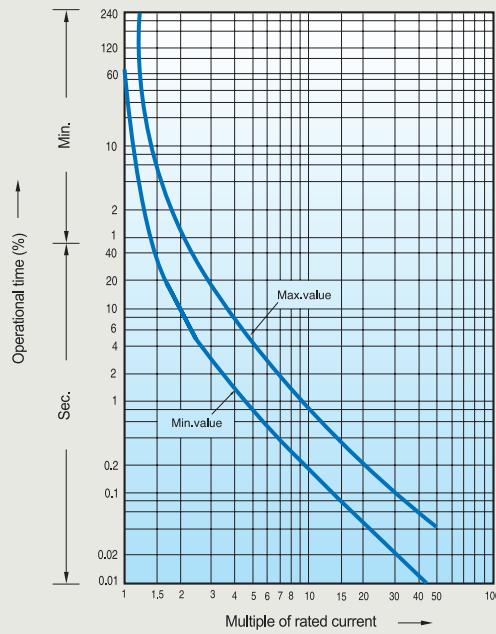
**BFN**

**Operating curves**



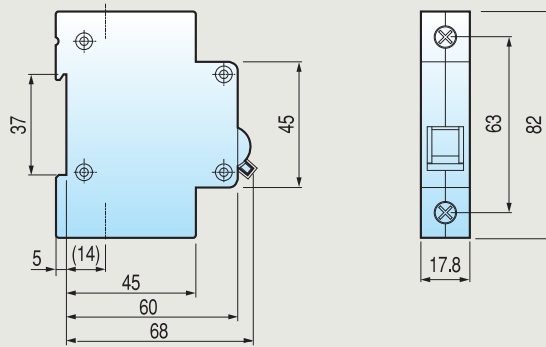
**BS**

**Operating curves**

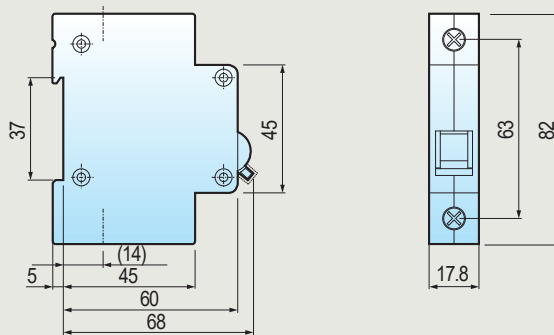


# Overall dimensions

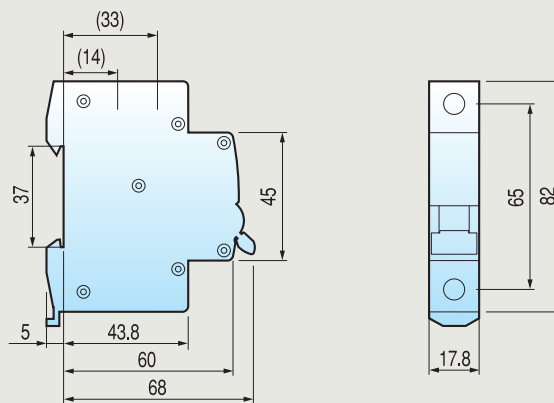
BKN



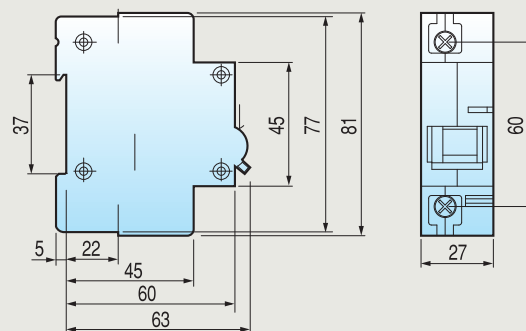
BKN-c



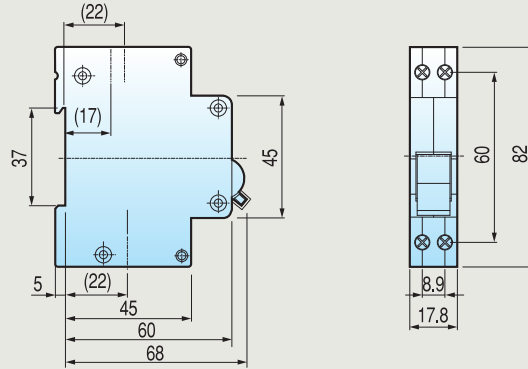
BKN-b



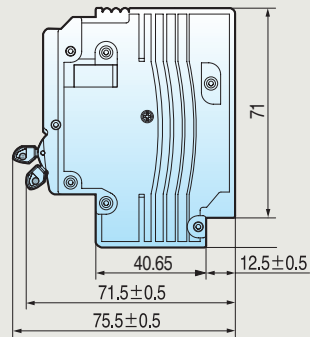
BKH



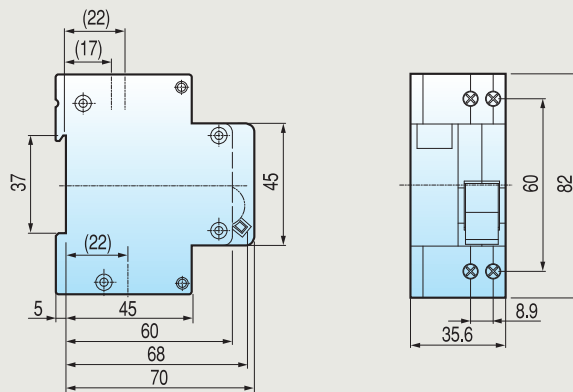
BKP



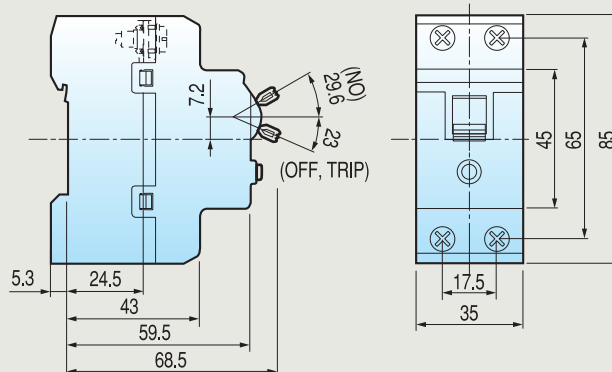
BFN



RKP



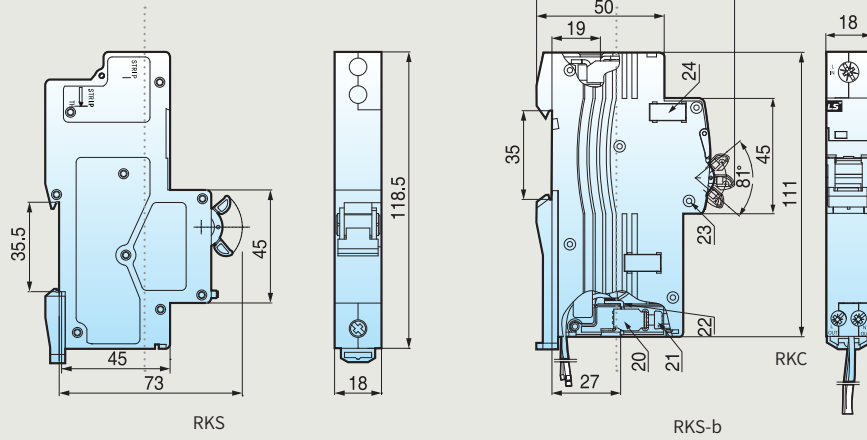
32KGRC/d



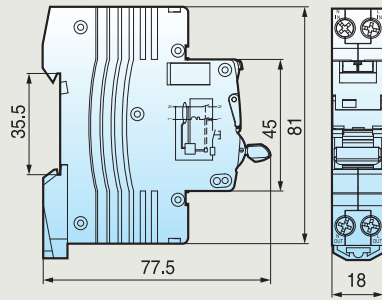
# Overall dimensions

RKS

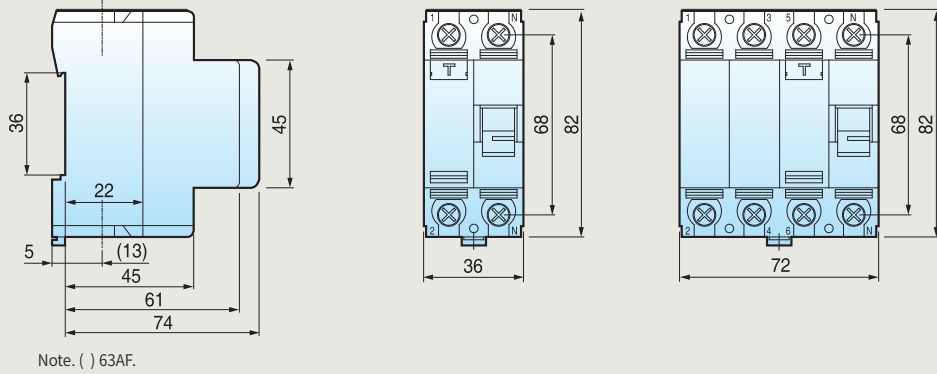
RKS-b



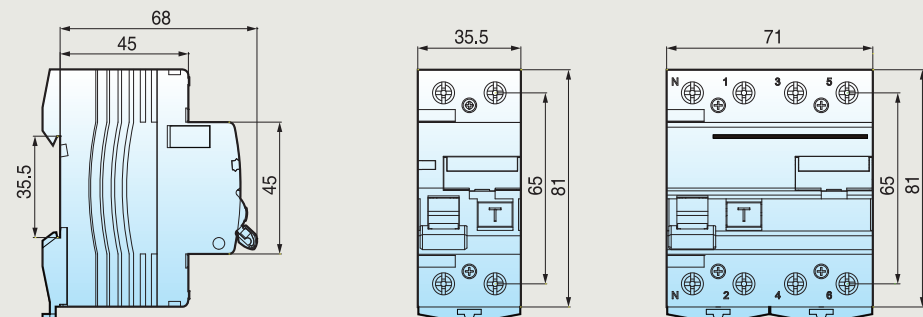
RKC



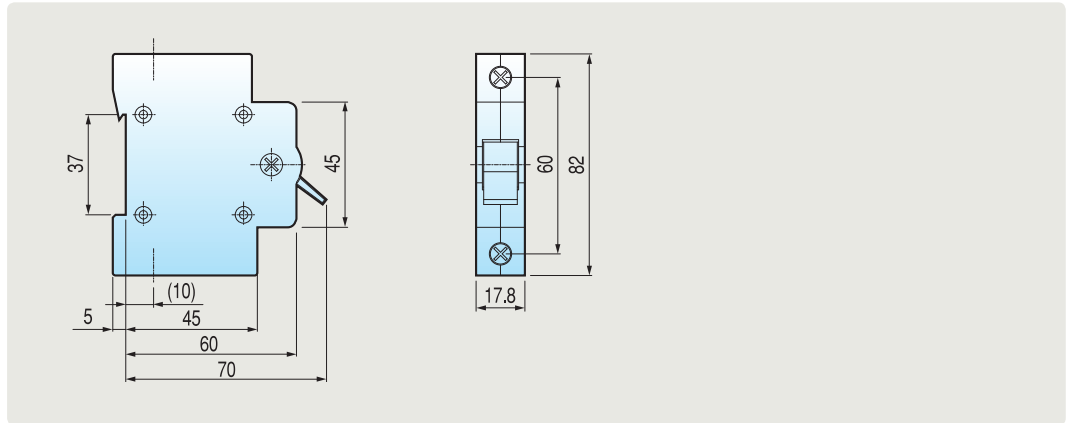
RKN



RKN-b

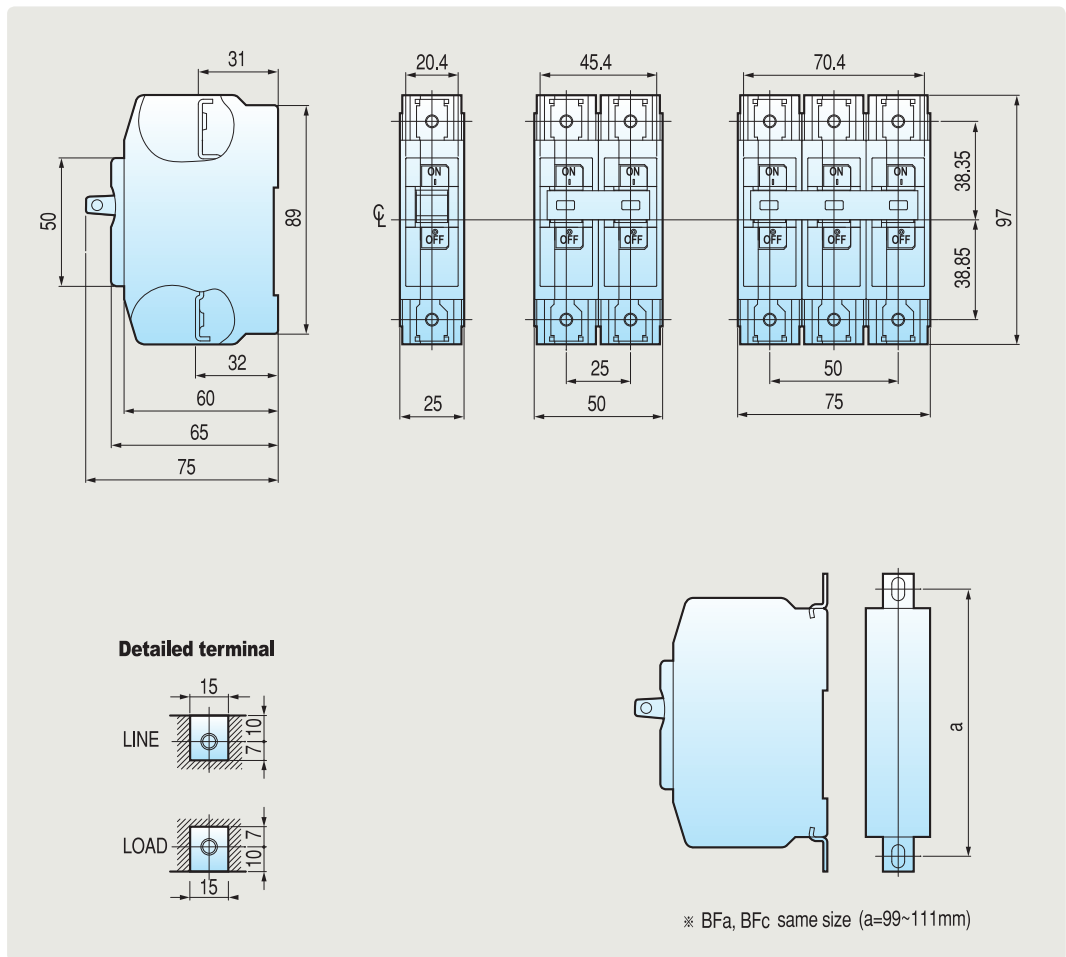


**BKD**



**BF-a**

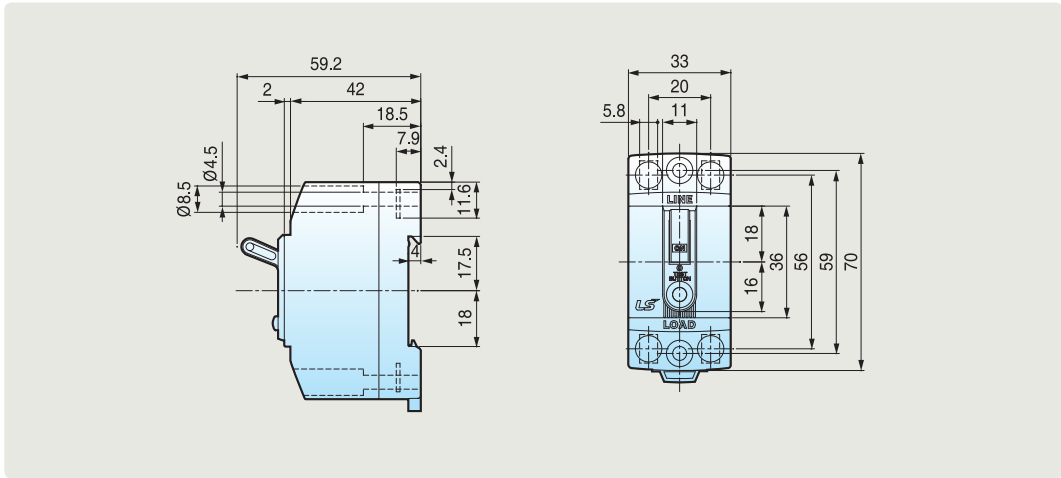
**BF-c**



# Overall dimensions

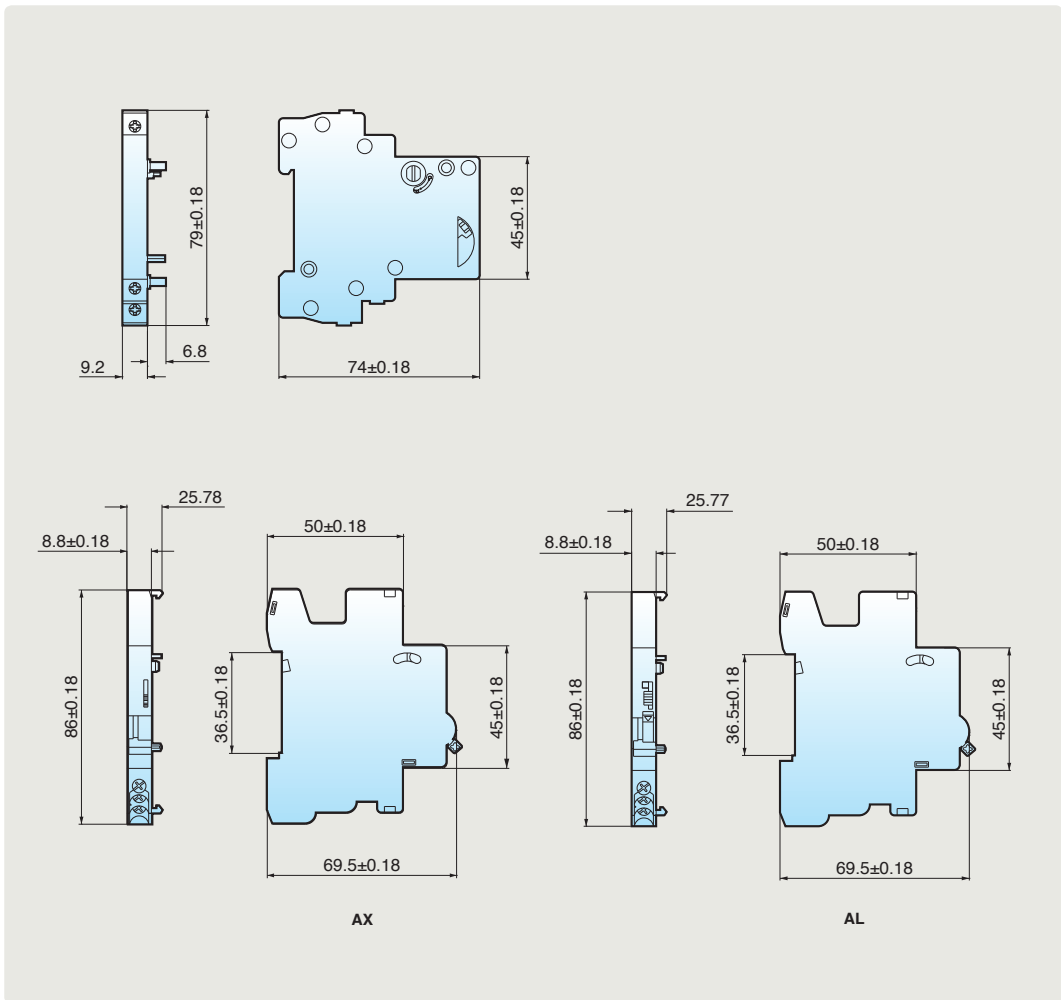
32GRhc/d

BS32c/d



BKN

AX/AL

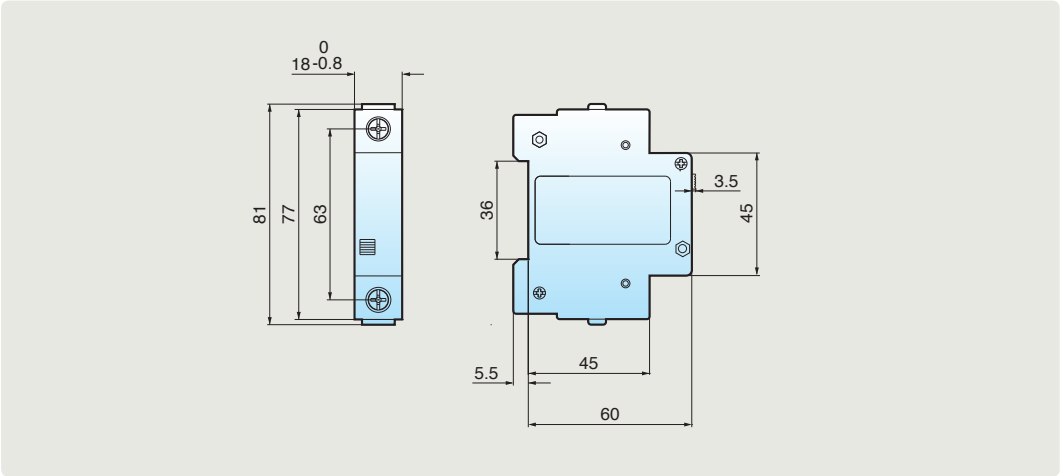


BKN-b

AX/AL



SHT  
UVT/OVT



# Environmental policy and RoHS compliance

## What is RoHS?

The RoHS (Restriction of Hazardous Substances) is an EU Directive that specifically identifies six key materials so that manufacturers are held responsible for ensuring that their products contain controlled concentrations of the six substances restricted by the Directive.

The Six Hazardous Substances: Below 1,000ppm of Lead (Pb), Mercury (Hg), Hexavalent Chromium (Cr+6), Polybrominated Biphenyls (PBB) and Polybrominated Biphenyl Ethers (PBDE), and below 100ppm of Cadmium (Cd).

- ▶ RoHS : Directive on the Restriction of Hazardous Substances in the Electronic Equipment (Effective on February 13, 2003)

**LS Industrial Systems**

**Environmental Policy and RoHS Compliance**

**What is RoHS?**

The RoHS (Restriction of Hazardous Substances) is an EU Directive that specifically identifies six key materials so that manufacturers are held responsible for ensuring that their products contain controlled concentrations of the six substances restricted by the Directive.

The Six Hazardous Substances: Below 1,000ppm of Lead (Pb), Mercury (Hg), Hexavalent Chromium (Cr<sup>+6</sup>), Polybrominated Biphenyls (PBB) and Polybrominated Biphenyl Ethers (PBDE), and below 100ppm of Cadmium (Cd)

Refer to Related Regulations Laws for exceptions. LSIS circuit breakers are excluded.

▶ RoHS: Directive on the Restriction of Hazardous Substances in the Electrical and Electronic Equipment (Effective on February 13, 2003)

**Application**

**Products** manufactured by LSIS do not directly apply to the RoHS Directive. However, small inverters imbedded in sports equipment and small breakers in large home appliances can be indirectly applied to the Directive.

LSIS continues to comply with the RoHS directive in order to establish environmentally friendly management policies and gain global competitiveness for our products.

According to the regulation, eight of the 10 WEEE products excluding 'medical equipment' and 'control systems' must be RoHS compliant.

# Declaration of RoHS Compliance

LSIS Co., Ltd  
LS tower, 127, LS-ro, Dongan-gu,  
Anyang-si, Gyonggi-do 431-848, Korea

Do hereby confirm that

With relevance of the EU Directive 2011/65/EU on the Restriction of the use of certain Hazardous Substances in electrical and electronic equipment -RoHS , our listed products do not contain any of the following banned substances listed below :

Lead  
Mercury  
Cadmium  
Hexavalent Chromium  
Polybrominated Biphenyls (PBB)  
Polybrominated Diphenyl Ethers (PBDE)

The following products sold as of July 1, 2006 will be RoHS compliant.

## Products Note)

Molded Case Circuit Breaker (MCCB)  
Miniature Circuit breaker (MCB)  
Earth Leakage Circuit Breaker (ELCB)  
Residual Current Circuit Breaker (RCCB)  
Residual Current Circuit Breaker with overcurrent protection (RCBO)  
Magnetic Switch (MC, TOR)  
Manual Motor Starter (MMS)  
Protection & Measurement device  
Programmable Logic Controller (PLC)  
Air Circuit Breakers (ACB)  
Surge Protective Device (SPD)  
Human Machine Interface (HMI)  
Variable Frequency Drive (AC Driver)  
Inverter (PCU) GEI Series  
EV Relay GER Series

Note) Please visit [www.lsis.com](http://www.lsis.com) and see "RoHS Compliance" menu to verify the specification of each product's "RoHS Compliance"

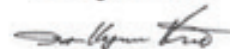
Firstly notified date: April 4, 2006

LSIS

February 3, 2017

Chairman & CEO

Ja-Kyun Koo



**LSIS**



### Safety Instructions

- For your safety, please read user's manual thoroughly before operating.
- Contact the nearest authorized service facility for examination, repair, or adjustment.
- Please contact qualified service technician when you need maintenance. Do not disassemble or repair by yourself!
- Any maintenance and inspection shall be performed by the personnel having expertise concerned.



- According to The WEEE Directive, please do not discard the device with your household waste.



[www.lselectric.co.kr](http://www.lselectric.co.kr)

#### ■ Headquarter

127 LS-ro (Hogye-dong) Dongan-gu, Anyang-si, Gyeonggi-Do, 14119, Korea

#### ■ Seoul Office

LS Yongsan Tower, 92, Hangang-daero, Yongsan-gu, Seoul, 04386, Korea  
Tel. 82-2-2034-4916, 4684, 4429

#### ■ Overseas Subsidiaries

- **LS ELECTRIC Japan Co., Ltd. (Tokyo, Japan)**  
Tel: 81-3-6268-8241 E-Mail: jschuna@lselectric.biz
- **LS ELECTRIC (Dalian) Co., Ltd. (Dalian, China)**  
Tel: 86-411-8730-5872 E-Mail: jiheo@lselectric.com.cn
- **LS ELECTRIC (Wuxi) Co., Ltd. (Wuxi, China)**  
Tel: 86-510-6851-6666 E-Mail: jdyim@lselectric.com.cn
- **LS ELECTRIC Vietnam Co., Ltd.**  
Tel: 84-93-631-4099 E-Mail: jhchoi4@lselectric.biz (Hanoi)  
Tel: 84-24-3823-7890 E-Mail: sjbaik@lselectric.biz (Hochiminh)
- **LS ELECTRIC Middle East FZE (Dubai, U.A.E.)**  
Tel: 971-4-886-5360 E-Mail: hschoib@lselectric.biz
- **LS ELECTRIC Europe B.V. (Hoofddorf, Netherlands)**  
Tel: 31-20-654-1424 E-Mail: europartner@lselectric.biz
- **LS ELECTRIC America Inc. (Chicago, USA)**  
Tel: 1-800-891-2941 E-Mail: sales.us@lselectricamerica.com

#### ■ Overseas Branches

- **LS ELECTRIC Tokyo Office (Japan)**  
Tel: 81-3-6268-8241 E-Mail: jschuna@lselectric.biz
- **LS ELECTRIC Beijing Office (China)**  
Tel: 86-10-5095-1631 E-Mail: chendm@lselectric.com.cn
- **LS ELECTRIC Shanghai Office (China)**  
Tel: 86-21-5237-9977 E-Mail: khpaek@lselectric.com.cn
- **LS ELECTRIC Guangzhou Office (China)**  
Tel: 86-20-3818-2883 E-Mail: chenxs@lselectric.com.cn
- **LS ELECTRIC Chengdu Office (China)**  
Tel: 86-28-8670-3201 E-Mail: yangcf@lselectric.com.cn
- **LS ELECTRIC Qingdao Office (China)**  
Tel: 86-532-8501-2065 E-Mail: wangzy@lselectric.com.cn
- **LS ELECTRIC Nanjing Office (China)**  
Tel: 86-25-8467-0005 E-Mail: ylong@lselectric.biz
- **LS ELECTRIC Bangkok Office (Thailand)**  
Tel: 66-90-950-9683 E-Mail: sjleet@lselectric.biz
- **LS ELECTRIC Jakarta Office (Indonesia)**  
Tel: 62-21-2933-7614 E-Mail: dioh@lselectric.biz
- **LS ELECTRIC Moscow Office (Russia)**  
Tel: 7-499-682-6130 E-Mail: jdpark1@lselectric.biz
- **LS ELECTRIC America Western Office (Irvine, USA)**  
Tel: 1-949-333-3140 E-Mail: jwyun@lselectricamerica.com



#### Technical Question or After-sales Service

Customer Center-Quick Responsive Service, Excellent technical support

**82-1644-5481**