

# MEM MODULAR ENCLOSURE VỎ TỬ ĐIỆN LOẠI MODULAR MEM



POWER AND AUTOMATION SOLUTIONS



CÔNG TY CỔ PHẦN KỸ THUẬT CƠ ĐIỆN MEE  
MEE MECHANICAL ELECTRICAL ENGINEERING JSC

<https://mee.com.vn>



# CONTENTS

## NỘI DUNG

1	Introduction	Giới thiệu	3
2	Main characteristics	Các đặc điểm chính	4
3	Customized directly in the factory	Tùy chỉnh trực tiếp trong nhà máy	4
4	Dimensions of MEM serial	Kích thước của tủ điện MEM	5
5	Structures of enclosure	Cấu trúc của tủ điện	6
6	Internal kits	Kít lắp bên trong	32
7	Segregation of enclosure	Vách ngăn tủ điện	41

## INTRODUCTION

### GIỚI THIỆU

The MEM Enclosures are MEE's solution for Distribution and Automation cabinets with modular type structures and floor standing installation

The MEM enclosures are suitable for making main distribution switchboards with rated current up to 6300A, motor control center (MCC), automation and control systems with the possibility of constructing cabinets side by side to control complex industrial plants.

The MEM series is designed for an easy mounting in a minimal amount of time, saving space during transportation and storage.

#### Power Distribution



#### Motor control center



#### Industrial Automation



Vỏ tủ MEM là giải pháp của MEE cho các tủ phân phối và tự động hóa với cấu trúc kiểu mô-đun và lắp đặt trên sàn

Vỏ tủ MEM phù hợp để chế tạo các tủ điện phân phối chính với dòng điện định mức lên tới 6300A, trung tâm điều khiển động cơ (MCC), hệ thống tự động hóa và điều khiển với khả năng xây dựng các tủ cạnh nhau để điều khiển các nhà máy công nghiệp phức tạp.

Sê-ri MEM được thiết kế để dễ dàng lắp ráp trong một khoảng thời gian tối thiểu, tiết kiệm không gian trong quá trình vận chuyển và lưu trữ.

## Main characteristics - Các đặc điểm chính

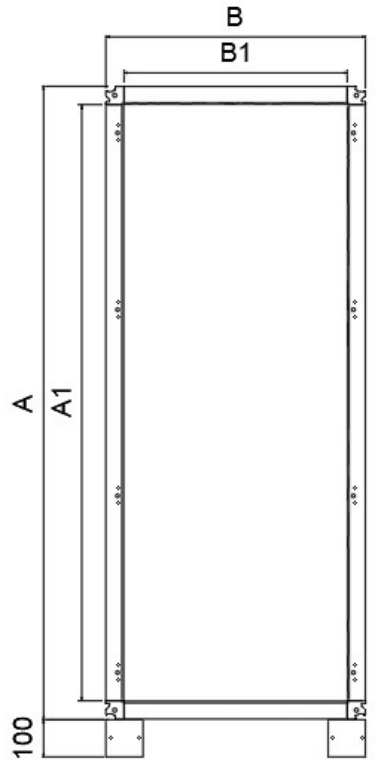
Standard <i>Tiêu chuẩn</i>	Conformity with the Standard IEC 61439-1-2 <i>Phù hợp với tiêu chuẩn IEC 61439-1-2</i>
Rated service voltage $U_e$ <i>Điện áp định mức <math>U_e</math></i>	up to 1000V AC - 1500V DC <i>Đến 1000V AC - 1500V DC</i>
Rated insulation voltage $U_i$ <i>Điện áp cách điện <math>U_i</math></i>	up to 1000V AC - 1500V DC <i>Đến 1000V AC - 1500V DC</i>
Rated frequency <i>Tần số định mức</i>	50-60 Hz <i>50-60 Hz</i>
Rated impulse withstand voltage $U_{imp}$ <i>Điện áp xung chịu được</i>	12kV <i>12kV</i>
Rated current $I_n$ <i>Dòng điện định mức <math>I_n</math></i>	up to 6300A <i>Đến 6300A</i>
Rated short-time withstand current $I_{cw}$ <i>Dòng điện ngắn mạch chịu được <math>I_{cw}</math></i>	up to 120kA <i>up to 120kA</i>
IP protection class <i>Cấp bảo vệ IP</i>	IP30, IP31, IP40, IP41, IP43, IP54 <i>IP30, IP31, IP40, IP41, IP43, IP54</i>
Segregation Form <i>Form tủ</i>	up to form 4b <i>Đến form 4b</i>
Overall dimensions <i>Kích thước ngoài</i>	
Height (mm) <i>Cao (mm)</i>	1400, 1500, 1600, 1700, 1800, 1900, 2000, 2100, 2200, 2300mm
Width (mm) <i>Rộng (mm)</i>	300, 400, 500, 600, 700, 800, 900, 1000, 1200mm
Depth (mm) <i>Sâu (mm)</i>	400, 500, 600, 700, 800, 900, 1000, 1200mm

CUSTOMIZED ENCLOSURES is MEE's service for cabinets metal structures, which, on request, are supplied painted, drilled and, where necessary, assembled according to the customer's specific requirements.

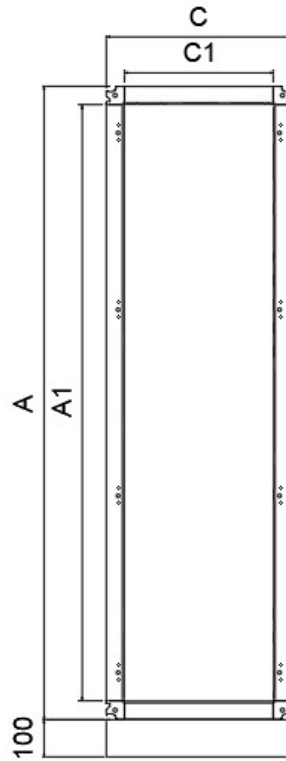
*DỊCH VỤ TÙY CHỈNH THEO KHÁCH HÀNG là dịch vụ của MEE sản xuất, gia công tủ điện theo yêu cầu của khách hàng. Màu sơn theo yêu cầu, Cắt và đục lỗ theo bản vẽ, lắp ráp theo yêu cầu cụ thể của khách hàng.*



**Dimensions of MEM serial**  
**Kích thước của tủ điện MEM**



**FRONT VIEW**



**SIDE VIEW**

Height (mm)

H	A	A1
1400	1400	1302
1500	1500	1402
1600	1600	1502
1700	1700	1602
1800	1800	1702
1900	1900	1802
2000	2000	1902
2100	2100	2002
2200	2200	2102
2300	2300	2202

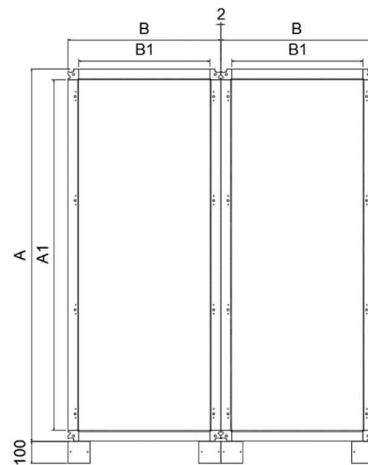
Width (mm)

W	B	B1
400	398	300
500	498	400
600	598	500
700	698	600
800	798	700
900	898	800
1000	998	900
1200	1198	1100

Depth (mm)

D	D1	D2
400	398	300
500	498	400
600	598	500
700	698	600
800	798	700
900	898	800
1000	998	900
1200	1198	1100

**Overall dimensions for several adjacent structures**  
**Kích thước tổng thể cho ghép một số modular**



**FRONT VIEW**



**SIDE VIEW**



# STRUCTURES

## CẤU TRÚC

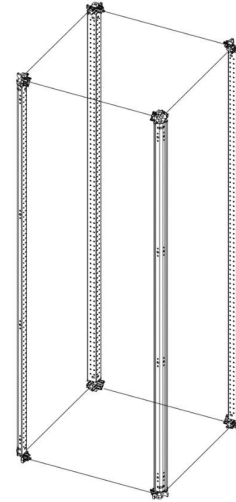
1	Uprights frame with 3 way connection	Khung đứng với kết nối 3 chiều	7
2	Width/Depth frame	Khung ngang/sâu	7
3	Plinths	Chân đế	8
4	Top/Bottom	Nóc/Đáy	9
5	Rear panel	Tấm lưng	17
6	Side panel	Tấm hông	21
7	Blind single door	Cửa đơn trơn	25
8	Blind double door	Cửa đôi trơn	27
9	Glass door	Cửa kính	28
10	Partital door	Cửa rời	29
11	Top/Bottom panel for partital door	Tấm che trên/dưới cho cửa rời	30
12	Door accessories	Phụ kiện cửa	31
13	Pocket for A4 documents	Ngăn hồ sơ A4	31
14	Eyebolts for lifting	Móc cầu	31

**UPRIGHT FRAME WITH 3WAY CONNECTION – KHUNG ĐỨNG VỚI KẾT NỐI 3 CHIỀU**

Material: 1.5mm Zam or Ecogal sheet metal

Package: 4pcs the uprights frame include 8 already assembled 3-way joints, 8 already assembled axial screws and 16 loose axial screws.

Dimensions		
H(mm)	Order codes	Description
1400	MEMEFU14	Uprights frame for MEM 1400
1500	MEMEFU15	Uprights frame for MEM 1500
1600	MEMEFU16	Uprights frame for MEM 1600
1700	MEMEFU17	Uprights frame for MEM 1700
1800	MEMEFU18	Uprights frame for MEM 1800
1900	MEMEFU19	Uprights frame for MEM 1900
2000	MEMEFU20	Uprights frame for MEM 2000
2100	MEMEFU21	Uprights frame for MEM 2100
2200	MEMEFU22	Uprights frame for MEM 2200
2300	MEMEFU23	Uprights frame for MEM 2300

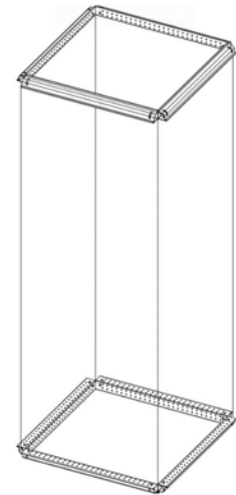


**WIDTH/DEPTH FRAME – KHUNG NGANG/SÂU**

Material: 1.5mm Zam or Ecogal sheet metal

Package: 4pcs the Width/depth frame

Dimensions		
W(mm)	Order codes	Description
300	MEMEFW03	Width/Depth frame for MEM 300
400	MEMEFW04	Width/Depth frame for MEM 400
500	MEMEFW05	Width/Depth frame for MEM 500
600	MEMEFW06	Width/Depth frame for MEM 600
700	MEMEFW07	Width/Depth frame for MEM 700
800	MEMEFW08	Width/Depth frame for MEM 800
900	MEMEFW09	Width/Depth frame for MEM 900
1000	MEMEFW10	Width/Depth frame for MEM 1000
1200	MEMEFW12	Width/Depth frame for MEM 1200

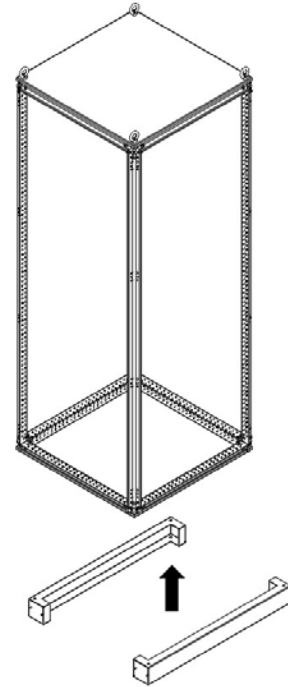


**PLINTHS –CHÂN ĐÉ**

**Side plinth  
Chân đế hông**

Material: mild steel 2.0mm, painted in RAL 7012  
Package: 2 pcs side plinth

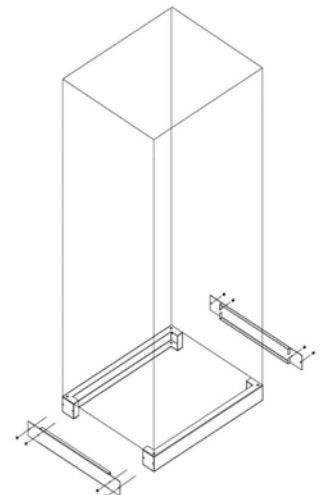
Dimensions	Order codes	Description
W/D(mm)		
400	MEMEPS04	Side plinth MEM 400 steel 2.0mm
500	MEMEPS05	Side plinth MEM 500 steel 2.0mm
600	MEMEPS06	Side plinth MEM 600 steel 2.0mm
700	MEMEPS07	Side plinth MEM 700 steel 2.0mm
800	MEMEPS08	Side plinth MEM 800 steel 2.0mm
900	MEMEPS09	Side plinth MEM 900 steel 2.0mm
1000	MEMEPS10	Side plinth MEM 1000 steel 2.0mm
1200	MEMEPS12	Side plinth MEM 1200 steel 2.0mm



**Front/Rear plinth flanges  
Che chân đế Trước/Sau**

Material: mild steel 1.5mm, painted in RAL 7012  
Package: 2 pcs front plinth flanges

Dimensions	Order codes	Description
W(mm)		
300	MEMEPF03	Front/Rear plinth flanges MEM 300
400	MEMEPF04	Front/Rear plinth flanges MEM 400
500	MEMEPF05	Front/Rear plinth flanges MEM 500
600	MEMEPF06	Front/Rear plinth flanges MEM 600
700	MEMEPF07	Front/Rear plinth flanges MEM 700
800	MEMEPF08	Front/Rear plinth flanges MEM 800
900	MEMEPF09	Front/Rear plinth flanges MEM 900
1000	MEMEPF10	Front/Rear plinth flanges MEM 1000
1200	MEMEPF12	Front/Rear plinth flanges MEM 1200



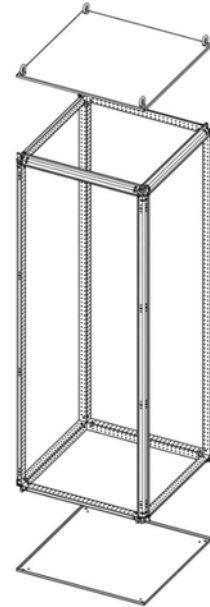


**TOP/BOTTOM – NÓC/ĐÁY**
**Blind Top/Bottom - Nóc/dáy trơn**

Material: 1.5mm mild steel, painted in RAL 7035

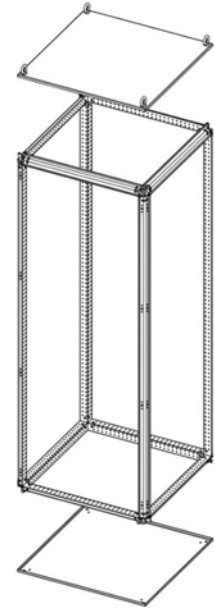
Package: 1 pcs the Blind Top/Bottom

Dimensions		Order codes	Description
W(mm)	D(mm)		
300	400	MEMETB0304M15	Blind Top/Bottom MEM 300x400, steel 1.5mm
300	500	MEMETB0305M15	Blind Top/Bottom MEM 300x500, steel 1.5mm
300	600	MEMETB0306M15	Blind Top/Bottom MEM 300x600, steel 1.5mm
300	700	MEMETB0307M15	Blind Top/Bottom MEM 300x700, steel 1.5mm
300	800	MEMETB0308M15	Blind Top/Bottom MEM 300x800, steel 1.5mm
300	900	MEMETB0309M15	Blind Top/Bottom MEM 300x900, steel 1.5mm
300	1000	MEMETB0310M15	Blind Top/Bottom MEM 300x1000, steel 1.5mm
300	1200	MEMETB0312M15	Blind Top/Bottom MEM 300x1200, steel 1.5mm
400	400	MEMETB0404M15	Blind Top/Bottom MEM 400x400, steel 1.5mm
400	500	MEMETB0405M15	Blind Top/Bottom MEM 400x500, steel 1.5mm
400	600	MEMETB0406M15	Blind Top/Bottom MEM 400x600, steel 1.5mm
400	700	MEMETB0407M15	Blind Top/Bottom MEM 400x700, steel 1.5mm
400	800	MEMETB0408M15	Blind Top/Bottom MEM 400x800, steel 1.5mm
400	900	MEMETB0409M15	Blind Top/Bottom MEM 400x900, steel 1.5mm
400	1000	MEMETB0410M15	Blind Top/Bottom MEM 400x1000, steel 1.5mm
400	1200	MEMETB0412M15	Blind Top/Bottom MEM 400x1200, steel 1.5mm
500	400	MEMETB0504M15	Blind Top/Bottom MEM 500x400, steel 1.5mm
500	500	MEMETB0505M15	Blind Top/Bottom MEM 500x500, steel 1.5mm
500	600	MEMETB0506M15	Blind Top/Bottom MEM 500x600, steel 1.5mm
500	700	MEMETB0507M15	Blind Top/Bottom MEM 500x700, steel 1.5mm
500	800	MEMETB0508M15	Blind Top/Bottom MEM 500x800, steel 1.5mm
500	900	MEMETB0509M15	Blind Top/Bottom MEM 500x900, steel 1.5mm
500	1000	MEMETB0510M15	Blind Top/Bottom MEM 500x1000, steel 1.5mm
500	1200	MEMETB0512M15	Blind Top/Bottom MEM 500x1200, steel 1.5mm
600	400	MEMETB0604M15	Blind Top/Bottom MEM 600x400, steel 1.5mm
600	500	MEMETB0605M15	Blind Top/Bottom MEM 600x500, steel 1.5mm
600	600	MEMETB0606M15	Blind Top/Bottom MEM 600x600, steel 1.5mm
600	700	MEMETB0607M15	Blind Top/Bottom MEM 600x700, steel 1.5mm
600	800	MEMETB0608M15	Blind Top/Bottom MEM 600x800, steel 1.5mm
600	900	MEMETB0609M15	Blind Top/Bottom MEM 600x900, steel 1.5mm
600	1000	MEMETB0610M15	Blind Top/Bottom MEM 600x1000, steel 1.5mm
600	1200	MEMETB0612M15	Blind Top/Bottom MEM 600x1200, steel 1.5mm
700	400	MEMETB0704M15	Blind Top/Bottom MEM 700x400, steel 1.5mm
700	500	MEMETB0705M15	Blind Top/Bottom MEM 700x500, steel 1.5mm
700	600	MEMETB0706M15	Blind Top/Bottom MEM 700x600, steel 1.5mm
700	700	MEMETB0707M15	Blind Top/Bottom MEM 700x700, steel 1.5mm
700	800	MEMETB0708M15	Blind Top/Bottom MEM 700x800, steel 1.5mm





700	900	MEMETB0709M15	Blind Top/Bottom MEM 700x900, steel 1.5mm
700	1000	MEMETB0710M15	Blind Top/Bottom MEM 700x1000, steel 1.5mm
700	1200	MEMETB0712M15	Blind Top/Bottom MEM 700x1200, steel 1.5mm
800	400	MEMETB0804M15	Blind Top/Bottom MEM 800x400, steel 1.5mm
800	500	MEMETB0805M15	Blind Top/Bottom MEM 800x500, steel 1.5mm
800	600	MEMETB0806M15	Blind Top/Bottom MEM 800x600, steel 1.5mm
800	700	MEMETB0807M15	Blind Top/Bottom MEM 800x700, steel 1.5mm
800	800	MEMETB0808M15	Blind Top/Bottom MEM 800x800, steel 1.5mm
800	900	MEMETB0809M15	Blind Top/Bottom MEM 800x900, steel 1.5mm
800	1000	MEMETB0810M15	Blind Top/Bottom MEM 800x1000, steel 1.5mm
800	1200	MEMETB0812M15	Blind Top/Bottom MEM 800x1200, steel 1.5mm
900	400	MEMETB0904M15	Blind Top/Bottom MEM 900x400, steel 1.5mm
900	500	MEMETB0905M15	Blind Top/Bottom MEM 900x500, steel 1.5mm
900	600	MEMETB0906M15	Blind Top/Bottom MEM 900x600, steel 1.5mm
900	700	MEMETB0907M15	Blind Top/Bottom MEM 900x700, steel 1.5mm
900	800	MEMETB0908M15	Blind Top/Bottom MEM 900x800, steel 1.5mm
900	900	MEMETB0909M15	Blind Top/Bottom MEM 900x900, steel 1.5mm
900	1000	MEMETB0910M15	Blind Top/Bottom MEM 900x1000, steel 1.5mm
900	1200	MEMETB0912M15	Blind Top/Bottom MEM 900x1200, steel 1.5mm
1000	400	MEMETB1004M15	Blind Top/Bottom MEM 1000x400, steel 1.5mm
1000	500	MEMETB1005M15	Blind Top/Bottom MEM 1000x500, steel 1.5mm
1000	600	MEMETB1006M15	Blind Top/Bottom MEM 1000x600, steel 1.5mm
1000	700	MEMETB1007M15	Blind Top/Bottom MEM 1000x700, steel 1.5mm
1000	800	MEMETB1008M15	Blind Top/Bottom MEM 1000x800, steel 1.5mm
1000	900	MEMETB1009M15	Blind Top/Bottom MEM 1000x900, steel 1.5mm
1000	1000	MEMETB1010M15	Blind Top/Bottom MEM 1000x1000, steel 1.5mm
1000	1200	MEMETB1012M15	Blind Top/Bottom MEM 1000x1200, steel 1.5mm
1200	400	MEMETB1204M15	Blind Top/Bottom MEM 1200x400, steel 1.5mm
1200	500	MEMETB1205M15	Blind Top/Bottom MEM 1200x500, steel 1.5mm
1200	600	MEMETB1206M15	Blind Top/Bottom MEM 1200x600, steel 1.5mm
1200	700	MEMETB1207M15	Blind Top/Bottom MEM 1200x700, steel 1.5mm
1200	800	MEMETB1208M15	Blind Top/Bottom MEM 1200x800, steel 1.5mm
1200	900	MEMETB1209M15	Blind Top/Bottom MEM 1200x900, steel 1.5mm
1200	1000	MEMETB1210M15	Blind Top/Bottom MEM 1200x1000, steel 1.5mm
1200	1200	MEMETB1212M15	Blind Top/Bottom MEM 1200x1200, steel 1.5mm

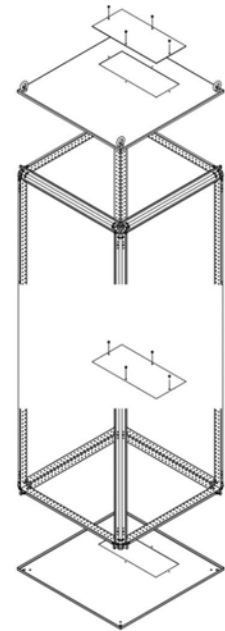


**Open Top/Bottom - Nóc/dây hở**

Material: 1.5mm mild steel, painted in RAL 7035

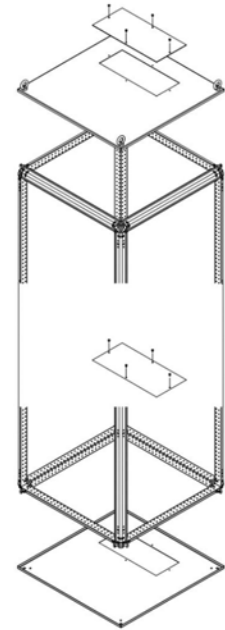
Package: 1 pcs the Open Top/Bottom, 1 pcs the Fixed cable flange

Dimensions		Order codes	Description
W(mm)	D(mm)		
300	400	MEMETO0304M15	Open Top/Bottom MEM 300x400, steel 1.5mm
300	500	MEMETO0305M15	Open Top/Bottom MEM 300x500, steel 1.5mm
300	600	MEMETO0306M15	Open Top/Bottom MEM 300x600, steel 1.5mm
300	700	MEMETO0307M15	Open Top/Bottom MEM 300x700, steel 1.5mm
300	800	MEMETO0308M15	Open Top/Bottom MEM 300x800, steel 1.5mm
300	900	MEMETO0309M15	Open Top/Bottom MEM 300x900, steel 1.5mm
300	1000	MEMETO0310M15	Open Top/Bottom MEM 300x1000, steel 1.5mm
300	1200	MEMETO0312M15	Open Top/Bottom MEM 300x1200, steel 1.5mm
400	400	MEMETO0404M15	Open Top/Bottom MEM 400x400, steel 1.5mm
400	500	MEMETO0405M15	Open Top/Bottom MEM 400x500, steel 1.5mm
400	600	MEMETO0406M15	Open Top/Bottom MEM 400x600, steel 1.5mm
400	700	MEMETO0407M15	Open Top/Bottom MEM 400x700, steel 1.5mm
400	800	MEMETO0408M15	Open Top/Bottom MEM 400x800, steel 1.5mm
400	900	MEMETO0409M15	Open Top/Bottom MEM 400x900, steel 1.5mm
400	1000	MEMETO0410M15	Open Top/Bottom MEM 400x1000, steel 1.5mm
400	1200	MEMETO0412M15	Open Top/Bottom MEM 400x1200, steel 1.5mm
500	400	MEMETO0504M15	Open Top/Bottom MEM 500x400, steel 1.5mm
500	500	MEMETO0505M15	Open Top/Bottom MEM 500x500, steel 1.5mm
500	600	MEMETO0506M15	Open Top/Bottom MEM 500x600, steel 1.5mm
500	700	MEMETO0507M15	Open Top/Bottom MEM 500x700, steel 1.5mm
500	800	MEMETO0508M15	Open Top/Bottom MEM 500x800, steel 1.5mm
500	900	MEMETO0509M15	Open Top/Bottom MEM 500x900, steel 1.5mm
500	1000	MEMETO0510M15	Open Top/Bottom MEM 500x1000, steel 1.5mm
500	1200	MEMETO0512M15	Open Top/Bottom MEM 500x1200, steel 1.5mm
600	400	MEMETO0604M15	Open Top/Bottom MEM 600x400, steel 1.5mm
600	500	MEMETO0605M15	Open Top/Bottom MEM 600x500, steel 1.5mm
600	600	MEMETO0606M15	Open Top/Bottom MEM 600x600, steel 1.5mm
600	700	MEMETO0607M15	Open Top/Bottom MEM 600x700, steel 1.5mm
600	800	MEMETO0608M15	Open Top/Bottom MEM 600x800, steel 1.5mm
600	900	MEMETO0609M15	Open Top/Bottom MEM 600x900, steel 1.5mm
600	1000	MEMETO0610M15	Open Top/Bottom MEM 600x1000, steel 1.5mm
600	1200	MEMETO0612M15	Open Top/Bottom MEM 600x1200, steel 1.5mm
700	400	MEMETO0704M15	Open Top/Bottom MEM 700x400, steel 1.5mm
700	500	MEMETO0705M15	Open Top/Bottom MEM 700x500, steel 1.5mm
700	600	MEMETO0706M15	Open Top/Bottom MEM 700x600, steel 1.5mm
700	700	MEMETO0707M15	Open Top/Bottom MEM 700x700, steel 1.5mm
700	800	MEMETO0708M15	Open Top/Bottom MEM 700x800, steel 1.5mm
700	900	MEMETO0709M15	Open Top/Bottom MEM 700x900, steel 1.5mm
700	1000	MEMETO0710M15	Open Top/Bottom MEM 700x1000, steel 1.5mm





700	1200	MEMETO0712M15	Open Top/Bottom MEM 700x1200, steel 1.5mm
800	400	MEMETO0804M15	Open Top/Bottom MEM 800x400, steel 1.5mm
800	500	MEMETO0805M15	Open Top/Bottom MEM 800x500, steel 1.5mm
800	600	MEMETO0806M15	Open Top/Bottom MEM 800x600, steel 1.5mm
800	700	MEMETO0807M15	Open Top/Bottom MEM 800x700, steel 1.5mm
800	800	MEMETO0808M15	Open Top/Bottom MEM 800x800, steel 1.5mm
800	900	MEMETO0809M15	Open Top/Bottom MEM 800x900, steel 1.5mm
800	1000	MEMETO0810M15	Open Top/Bottom MEM 800x1000, steel 1.5mm
800	1200	MEMETO0812M15	Open Top/Bottom MEM 800x1200, steel 1.5mm
900	400	MEMETO0904M15	Open Top/Bottom MEM 900x400, steel 1.5mm
900	500	MEMETO0905M15	Open Top/Bottom MEM 900x500, steel 1.5mm
900	600	MEMETO0906M15	Open Top/Bottom MEM 900x600, steel 1.5mm
900	700	MEMETO0907M15	Open Top/Bottom MEM 900x700, steel 1.5mm
900	800	MEMETO0908M15	Open Top/Bottom MEM 900x800, steel 1.5mm
900	900	MEMETO0909M15	Open Top/Bottom MEM 900x900, steel 1.5mm
900	1000	MEMETO0910M15	Open Top/Bottom MEM 900x1000, steel 1.5mm
900	1200	MEMETO0912M15	Open Top/Bottom MEM 900x1200, steel 1.5mm
1000	400	MEMETO1004M15	Open Top/Bottom MEM 1000x400, steel 1.5mm
1000	500	MEMETO1005M15	Open Top/Bottom MEM 1000x500, steel 1.5mm
1000	600	MEMETO1006M15	Open Top/Bottom MEM 1000x600, steel 1.5mm
1000	700	MEMETO1007M15	Open Top/Bottom MEM 1000x700, steel 1.5mm
1000	800	MEMETO1008M15	Open Top/Bottom MEM 1000x800, steel 1.5mm
1000	900	MEMETO1009M15	Open Top/Bottom MEM 1000x900, steel 1.5mm
1000	1000	MEMETO1010M15	Open Top/Bottom MEM 1000x1000, steel 1.5mm
1000	1200	MEMETO1012M15	Open Top/Bottom MEM 1000x1200, steel 1.5mm
1200	400	MEMETO1204M15	Open Top/Bottom MEM 1200x400, steel 1.5mm
1200	500	MEMETO1205M15	Open Top/Bottom MEM 1200x500, steel 1.5mm
1200	600	MEMETO1206M15	Open Top/Bottom MEM 1200x600, steel 1.5mm
1200	700	MEMETO1207M15	Open Top/Bottom MEM 1200x700, steel 1.5mm
1200	800	MEMETO1208M15	Open Top/Bottom MEM 1200x800, steel 1.5mm
1200	900	MEMETO1209M15	Open Top/Bottom MEM 1200x900, steel 1.5mm
1200	1000	MEMETO1210M15	Open Top/Bottom MEM 1200x1000, steel 1.5mm
1200	1200	MEMETO1212M15	Open Top/Bottom MEM 1200x1200, steel 1.5mm

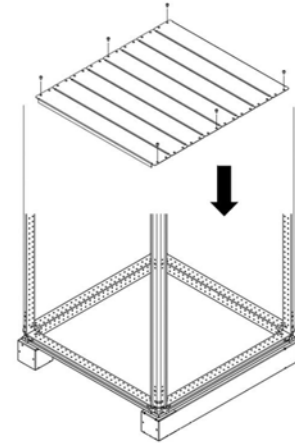


**Sliding cable flanges - Tấm trượt ra cáp**

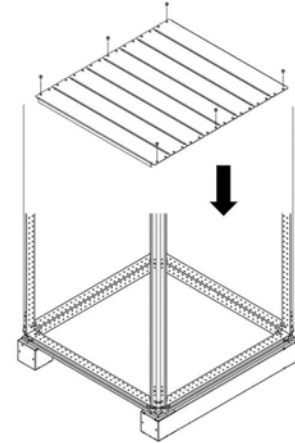
Material: 1.5mm Zam or Ecogal sheet metal

Package: 1 set the Sliding cable flanges include support

Dimensions		Order codes	Description
W(mm)	D(mm)		
300	400	MEMECS0304	Bottom Sliding flanges MEM 300x400
300	500	MEMECS0305	Bottom Sliding flanges MEM 300x500
300	600	MEMECS0306	Bottom Sliding flanges MEM 300x600
300	700	MEMECS0307	Bottom Sliding flanges MEM 300x700
300	800	MEMECS0308	Bottom Sliding flanges MEM 300x800
300	900	MEMECS0309	Bottom Sliding flanges MEM 300x900
300	1000	MEMECS0310	Bottom Sliding flanges MEM 300x1000
300	1200	MEMECS0312	Bottom Sliding flanges MEM 300x1200
400	400	MEMECS0404	Bottom Sliding flanges MEM 400x400
400	500	MEMECS0405	Bottom Sliding flanges MEM 400x500
400	600	MEMECS0406	Bottom Sliding flanges MEM 400x600
400	700	MEMECS0407	Bottom Sliding flanges MEM 400x700
400	800	MEMECS0408	Bottom Sliding flanges MEM 400x800
400	900	MEMECS0409	Bottom Sliding flanges MEM 400x900
400	1000	MEMECS0410	Bottom Sliding flanges MEM 400x1000
400	1200	MEMECS0412	Bottom Sliding flanges MEM 400x1200
500	400	MEMECS0504	Bottom Sliding flanges MEM 500x400
500	500	MEMECS0505	Bottom Sliding flanges MEM 500x500
500	600	MEMECS0506	Bottom Sliding flanges MEM 500x600
500	700	MEMECS0507	Bottom Sliding flanges MEM 500x700
500	800	MEMECS0508	Bottom Sliding flanges MEM 500x800
500	900	MEMECS0509	Bottom Sliding flanges MEM 500x900
500	1000	MEMECS0510	Bottom Sliding flanges MEM 500x1000
500	1200	MEMECS0512	Bottom Sliding flanges MEM 500x1200
600	400	MEMECS0604	Bottom Sliding flanges MEM 600x400
600	500	MEMECS0605	Bottom Sliding flanges MEM 600x500
600	600	MEMECS0606	Bottom Sliding flanges MEM 600x600
600	700	MEMECS0607	Bottom Sliding flanges MEM 600x700
600	800	MEMECS0608	Bottom Sliding flanges MEM 600x800
600	900	MEMECS0609	Bottom Sliding flanges MEM 600x900
600	1000	MEMECS0610	Bottom Sliding flanges MEM 600x1000
600	1200	MEMECS0612	Bottom Sliding flanges MEM 600x1200
700	400	MEMECS0704	Bottom Sliding flanges MEM 700x400
700	500	MEMECS0705	Bottom Sliding flanges MEM 700x500
700	600	MEMECS0706	Bottom Sliding flanges MEM 700x600
700	700	MEMECS0707	Bottom Sliding flanges MEM 700x700
700	800	MEMECS0708	Bottom Sliding flanges MEM 700x800
700	900	MEMECS0709	Bottom Sliding flanges MEM 700x900
700	1000	MEMECS0710	Bottom Sliding flanges MEM 700x1000



700	1200	MEMECS0712	Bottom Sliding flanges MEM 700x1200
800	400	MEMECS0804	Bottom Sliding flanges MEM 800x400
800	500	MEMECS0805	Bottom Sliding flanges MEM 800x500
800	600	MEMECS0806	Bottom Sliding flanges MEM 800x600
800	700	MEMECS0807	Bottom Sliding flanges MEM 800x700
800	800	MEMECS0808	Bottom Sliding flanges MEM 800x800
800	900	MEMECS0809	Bottom Sliding flanges MEM 800x900
800	1000	MEMECS0810	Bottom Sliding flanges MEM 800x1000
800	1200	MEMECS0812	Bottom Sliding flanges MEM 800x1200
900	400	MEMECS0904	Bottom Sliding flanges MEM 900x400
900	500	MEMECS0905	Bottom Sliding flanges MEM 900x500
900	600	MEMECS0906	Bottom Sliding flanges MEM 900x600
900	700	MEMECS0907	Bottom Sliding flanges MEM 900x700
900	800	MEMECS0908	Bottom Sliding flanges MEM 900x800
900	900	MEMECS0909	Bottom Sliding flanges MEM 900x900
900	1000	MEMECS0910	Bottom Sliding flanges MEM 900x1000
900	1200	MEMECS0912	Bottom Sliding flanges MEM 900x1200
1000	400	MEMECS1004	Bottom Sliding flanges MEM 1000x400
1000	500	MEMECS1005	Bottom Sliding flanges MEM 1000x500
1000	600	MEMECS1006	Bottom Sliding flanges MEM 1000x600
1000	700	MEMECS1007	Bottom Sliding flanges MEM 1000x700
1000	800	MEMECS1008	Bottom Sliding flanges MEM 1000x800
1000	900	MEMECS1009	Bottom Sliding flanges MEM 1000x900
1000	1000	MEMECS1010	Bottom Sliding flanges MEM 1000x1000
1000	1200	MEMECS1012	Bottom Sliding flanges MEM 1000x1200
1200	400	MEMECS1204	Bottom Sliding flanges MEM 1200x400
1200	500	MEMECS1205	Bottom Sliding flanges MEM 1200x500
1200	600	MEMECS1206	Bottom Sliding flanges MEM 1200x600
1200	700	MEMECS1207	Bottom Sliding flanges MEM 1200x700
1200	800	MEMECS1208	Bottom Sliding flanges MEM 1200x800
1200	900	MEMECS1209	Bottom Sliding flanges MEM 1200x900
1200	1000	MEMECS1210	Bottom Sliding flanges MEM 1200x1000
1200	1200	MEMECS1212	Bottom Sliding flanges MEM 1200x1200

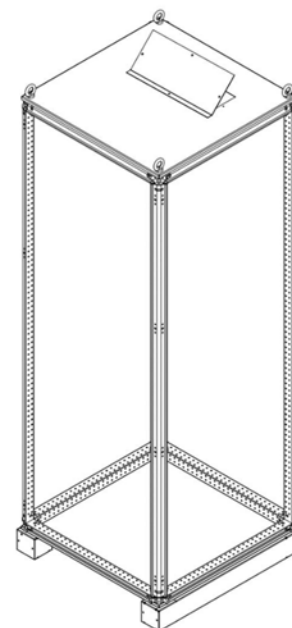


**Blind top arc fault - Nóc tròn bảo vệ hồ quang arc**

Material: 1.5mm mild steel, painted in RAL 7035

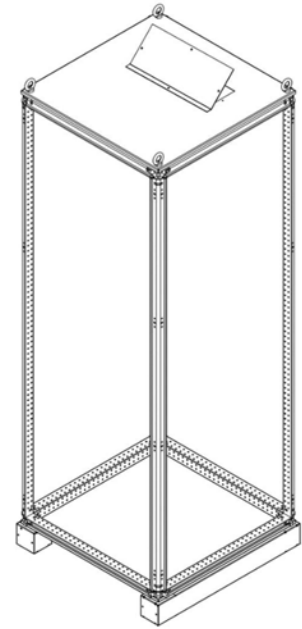
Package: 1 pcs the Blind top arc fault

Dimensions		Order codes	Description
W(mm)	D(mm)		
400	400	MEMETA0404M15	Blind top arc fault MEM 400x400, steel 1.5mm
400	500	MEMETA0405M15	Blind top arc fault MEM 400x500, steel 1.5mm
400	600	MEMETA0406M15	Blind top arc fault MEM 400x600, steel 1.5mm
400	700	MEMETA0407M15	Blind top arc fault MEM 400x700, steel 1.5mm
400	800	MEMETA0408M15	Blind top arc fault MEM 400x800, steel 1.5mm
400	900	MEMETA0409M15	Blind top arc fault MEM 400x900, steel 1.5mm
400	1000	MEMETA0410M15	Blind top arc fault MEM 400x1000, steel 1.5mm
400	1200	MEMETA0412M15	Blind top arc fault MEM 400x1200, steel 1.5mm
500	400	MEMETA0504M15	Blind top arc fault MEM 500x400, steel 1.5mm
500	500	MEMETA0505M15	Blind top arc fault MEM 500x500, steel 1.5mm
500	600	MEMETA0506M15	Blind top arc fault MEM 500x600, steel 1.5mm
500	700	MEMETA0507M15	Blind top arc fault MEM 500x700, steel 1.5mm
500	800	MEMETA0508M15	Blind top arc fault MEM 500x800, steel 1.5mm
500	900	MEMETA0509M15	Blind top arc fault MEM 500x900, steel 1.5mm
500	1000	MEMETA0510M15	Blind top arc fault MEM 500x1000, steel 1.5mm
500	1200	MEMETA0512M15	Blind top arc fault MEM 500x1200, steel 1.5mm
600	400	MEMETA0604M15	Blind top arc fault MEM 600x400, steel 1.5mm
600	500	MEMETA0605M15	Blind top arc fault MEM 600x500, steel 1.5mm
600	600	MEMETA0606M15	Blind top arc fault MEM 600x600, steel 1.5mm
600	700	MEMETA0607M15	Blind top arc fault MEM 600x700, steel 1.5mm
600	800	MEMETA0608M15	Blind top arc fault MEM 600x800, steel 1.5mm
600	900	MEMETA0609M15	Blind top arc fault MEM 600x900, steel 1.5mm
600	1000	MEMETA0610M15	Blind top arc fault MEM 600x1000, steel 1.5mm
600	1200	MEMETA0612M15	Blind top arc fault MEM 600x1200, steel 1.5mm
700	400	MEMETA0704M15	Blind top arc fault MEM 700x400, steel 1.5mm
700	500	MEMETA0705M15	Blind top arc fault MEM 700x500, steel 1.5mm
700	600	MEMETA0706M15	Blind top arc fault MEM 700x600, steel 1.5mm
700	700	MEMETA0707M15	Blind top arc fault MEM 700x700, steel 1.5mm
700	800	MEMETA0708M15	Blind top arc fault MEM 700x800, steel 1.5mm
700	900	MEMETA0709M15	Blind top arc fault MEM 700x900, steel 1.5mm
700	1000	MEMETA0710M15	Blind top arc fault MEM 700x1000, steel 1.5mm
700	1200	MEMETA0712M15	Blind top arc fault MEM 700x1200, steel 1.5mm
800	400	MEMETA0804M15	Blind top arc fault MEM 800x400, steel 1.5mm
800	500	MEMETA0805M15	Blind top arc fault MEM 800x500, steel 1.5mm
800	600	MEMETA0806M15	Blind top arc fault MEM 800x600, steel 1.5mm
800	700	MEMETA0807M15	Blind top arc fault MEM 800x700, steel 1.5mm
800	800	MEMETA0808M15	Blind top arc fault MEM 800x800, steel 1.5mm
800	900	MEMETA0809M15	Blind top arc fault MEM 800x900, steel 1.5mm





800	1000	MEMETA0810M15	Blind top arc fault MEM 800x1000, steel 1.5mm
800	1200	MEMETA0812M15	Blind top arc fault MEM 800x1200, steel 1.5mm
900	400	MEMETA0904M15	Blind top arc fault MEM 900x400, steel 1.5mm
900	500	MEMETA0905M15	Blind top arc fault MEM 900x500, steel 1.5mm
900	600	MEMETA0906M15	Blind top arc fault MEM 900x600, steel 1.5mm
900	700	MEMETA0907M15	Blind top arc fault MEM 900x700, steel 1.5mm
900	800	MEMETA0908M15	Blind top arc fault MEM 900x800, steel 1.5mm
900	900	MEMETA0909M15	Blind top arc fault MEM 900x900, steel 1.5mm
900	1000	MEMETA0910M15	Blind top arc fault MEM 900x1000, steel 1.5mm
900	1200	MEMETA0912M15	Blind top arc fault MEM 900x1200, steel 1.5mm
1000	400	MEMETA1004M15	Blind top arc fault MEM 1000x400, steel 1.5mm
1000	500	MEMETA1005M15	Blind top arc fault MEM 1000x500, steel 1.5mm
1000	600	MEMETA1006M15	Blind top arc fault MEM 1000x600, steel 1.5mm
1000	700	MEMETA1007M15	Blind top arc fault MEM 1000x700, steel 1.5mm
1000	800	MEMETA1008M15	Blind top arc fault MEM 1000x800, steel 1.5mm
1000	900	MEMETA1009M15	Blind top arc fault MEM 1000x900, steel 1.5mm
1000	1000	MEMETA1010M15	Blind top arc fault MEM 1000x1000, steel 1.5mm
1000	1200	MEMETA1012M15	Blind top arc fault MEM 1000x1200, steel 1.5mm
1200	400	MEMETA1204M15	Blind top arc fault MEM 1200x400, steel 1.5mm
1200	500	MEMETA1205M15	Blind top arc fault MEM 1200x500, steel 1.5mm
1200	600	MEMETA1206M15	Blind top arc fault MEM 1200x600, steel 1.5mm
1200	700	MEMETA1207M15	Blind top arc fault MEM 1200x700, steel 1.5mm
1200	800	MEMETA1208M15	Blind top arc fault MEM 1200x800, steel 1.5mm
1200	900	MEMETA1209M15	Blind top arc fault MEM 1200x900, steel 1.5mm
1200	1000	MEMETA1210M15	Blind top arc fault MEM 1200x1000, steel 1.5mm
1200	1200	MEMETA1212M15	Blind top arc fault MEM 1200x1200, steel 1.5mm



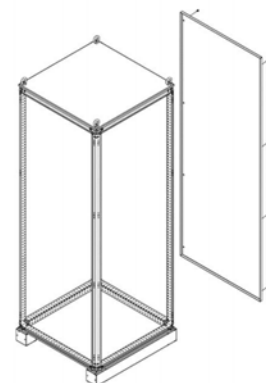


**REAR PANEL – TẤM LƯNG**
**Blind rear panel MEM - Tấm lưng trơn MEM**

Material: 1.5mm mild steel, painted in RAL 7035

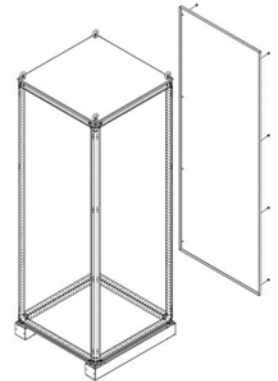
Package: 1 pcs the Blind rear panel

Dimensions	Dimensions	Order codes	Description
H(mm)	W(mm)		
1400	300	MEMERB1403M15	Blind rear panel MEM 1400x300, steel 1.5mm
1400	400	MEMERB1404M15	Blind rear panel MEM 1400x400, steel 1.5mm
1400	500	MEMERB1405M15	Blind rear panel MEM 1400x500, steel 1.5mm
1400	600	MEMERB1406M15	Blind rear panel MEM 1400x600, steel 1.5mm
1400	700	MEMERB1407M15	Blind rear panel MEM 1400x700, steel 1.5mm
1400	800	MEMERB1408M15	Blind rear panel MEM 1400x800, steel 1.5mm
1400	900	MEMERB1409M15	Blind rear panel MEM 1400x900, steel 1.5mm
1400	1000	MEMERB1410M15	Blind rear panel MEM 1400x1000, steel 1.5mm
1400	1200	MEMERB1412M15	Blind rear panel MEM 1400x1200, steel 1.5mm
1500	300	MEMERB1503M15	Blind rear panel MEM 1500x300, steel 1.5mm
1500	400	MEMERB1504M15	Blind rear panel MEM 1500x400, steel 1.5mm
1500	500	MEMERB1505M15	Blind rear panel MEM 1500x500, steel 1.5mm
1500	600	MEMERB1506M15	Blind rear panel MEM 1500x600, steel 1.5mm
1500	700	MEMERB1507M15	Blind rear panel MEM 1500x700, steel 1.5mm
1500	800	MEMERB1508M15	Blind rear panel MEM 1500x800, steel 1.5mm
1500	900	MEMERB1509M15	Blind rear panel MEM 1500x900, steel 1.5mm
1500	1000	MEMERB1510M15	Blind rear panel MEM 1500x1000, steel 1.5mm
1500	1200	MEMERB1512M15	Blind rear panel MEM 1500x1200, steel 1.5mm
1600	300	MEMERB1603M15	Blind rear panel MEM 1600x300, steel 1.5mm
1600	400	MEMERB1604M15	Blind rear panel MEM 1600x400, steel 1.5mm
1600	500	MEMERB1605M15	Blind rear panel MEM 1600x500, steel 1.5mm
1600	600	MEMERB1606M15	Blind rear panel MEM 1600x600, steel 1.5mm
1600	700	MEMERB1607M15	Blind rear panel MEM 1600x700, steel 1.5mm
1600	800	MEMERB1608M15	Blind rear panel MEM 1600x800, steel 1.5mm
1600	900	MEMERB1609M15	Blind rear panel MEM 1600x900, steel 1.5mm
1600	1000	MEMERB1610M15	Blind rear panel MEM 1600x1000, steel 1.5mm
1600	1200	MEMERB1612M15	Blind rear panel MEM 1600x1200, steel 1.5mm
1700	300	MEMERB1703M15	Blind rear panel MEM 1700x300, steel 1.5mm
1700	400	MEMERB1704M15	Blind rear panel MEM 1700x400, steel 1.5mm
1700	500	MEMERB1705M15	Blind rear panel MEM 1700x500, steel 1.5mm
1700	600	MEMERB1706M15	Blind rear panel MEM 1700x600, steel 1.5mm
1700	700	MEMERB1707M15	Blind rear panel MEM 1700x700, steel 1.5mm
1700	800	MEMERB1708M15	Blind rear panel MEM 1700x800, steel 1.5mm
1700	900	MEMERB1709M15	Blind rear panel MEM 1700x900, steel 1.5mm
1700	1000	MEMERB1710M15	Blind rear panel MEM 1700x1000, steel 1.5mm
1700	1200	MEMERB1712M15	Blind rear panel MEM 1700x1200, steel 1.5mm
1800	300	MEMERB1803M15	Blind rear panel MEM 1800x300, steel 1.5mm
1800	400	MEMERB1804M15	Blind rear panel MEM 1800x400, steel 1.5mm
1800	500	MEMERB1805M15	Blind rear panel MEM 1800x500, steel 1.5mm
1800	600	MEMERB1806M15	Blind rear panel MEM 1800x600, steel 1.5mm
1800	700	MEMERB1807M15	Blind rear panel MEM 1800x700, steel 1.5mm





1800	800	MEMERB1808M15	Blind rear panel MEM 1800x800, steel 1.5mm
1800	900	MEMERB1809M15	Blind rear panel MEM 1800x900, steel 1.5mm
1800	1000	MEMERB1810M15	Blind rear panel MEM 1800x1000, steel 1.5mm
1800	1200	MEMERB1812M15	Blind rear panel MEM 1800x1200, steel 1.5mm
1800	300	MEMERB1903M15	Blind rear panel MEM 1900x300, steel 1.5mm
1900	400	MEMERB1904M15	Blind rear panel MEM 1900x400, steel 1.5mm
1900	500	MEMERB1905M15	Blind rear panel MEM 1900x500, steel 1.5mm
1900	600	MEMERB1906M15	Blind rear panel MEM 1900x600, steel 1.5mm
1900	700	MEMERB1907M15	Blind rear panel MEM 1900x700, steel 1.5mm
1900	800	MEMERB1908M15	Blind rear panel MEM 1900x800, steel 1.5mm
1900	900	MEMERB1909M15	Blind rear panel MEM 1900x900, steel 1.5mm
1900	1000	MEMERB1910M15	Blind rear panel MEM 1900x1000, steel 1.5mm
1900	1200	MEMERB1912M15	Blind rear panel MEM 1900x1200, steel 1.5mm
1900	300	MEMERB2003M15	Blind rear panel MEM 2000x300, steel 1.5mm
2000	400	MEMERB2004M15	Blind rear panel MEM 2000x400, steel 1.5mm
2000	500	MEMERB2005M15	Blind rear panel MEM 2000x500, steel 1.5mm
2000	600	MEMERB2006M15	Blind rear panel MEM 2000x600, steel 1.5mm
2000	700	MEMERB2007M15	Blind rear panel MEM 2000x700, steel 1.5mm
2000	800	MEMERB2008M15	Blind rear panel MEM 2000x800, steel 1.5mm
2000	900	MEMERB2009M15	Blind rear panel MEM 2000x900, steel 1.5mm
2000	1000	MEMERB2010M15	Blind rear panel MEM 2000x1000, steel 1.5mm
2000	1200	MEMERB2012M15	Blind rear panel MEM 2000x1200, steel 1.5mm
2000	300	MEMERB2103M15	Blind rear panel MEM 2100x300, steel 1.5mm
2100	400	MEMERB2104M15	Blind rear panel MEM 2100x400, steel 1.5mm
2100	500	MEMERB2105M15	Blind rear panel MEM 2100x500, steel 1.5mm
2100	600	MEMERB2106M15	Blind rear panel MEM 2100x600, steel 1.5mm
2100	700	MEMERB2107M15	Blind rear panel MEM 2100x700, steel 1.5mm
2100	800	MEMERB2108M15	Blind rear panel MEM 2100x800, steel 1.5mm
2100	900	MEMERB2109M15	Blind rear panel MEM 2100x900, steel 1.5mm
2100	1000	MEMERB2110M15	Blind rear panel MEM 2100x1000, steel 1.5mm
2100	1200	MEMERB2112M15	Blind rear panel MEM 2100x1200, steel 1.5mm
2100	300	MEMERB2203M15	Blind rear panel MEM 2200x300, steel 1.5mm
2200	400	MEMERB2204M15	Blind rear panel MEM 2200x400, steel 1.5mm
2200	500	MEMERB2205M15	Blind rear panel MEM 2200x500, steel 1.5mm
2200	600	MEMERB2206M15	Blind rear panel MEM 2200x600, steel 1.5mm
2200	700	MEMERB2207M15	Blind rear panel MEM 2200x700, steel 1.5mm
2200	800	MEMERB2208M15	Blind rear panel MEM 2200x800, steel 1.5mm
2200	900	MEMERB2209M15	Blind rear panel MEM 2200x900, steel 1.5mm
2200	1000	MEMERB2210M15	Blind rear panel MEM 2200x1000, steel 1.5mm
2200	1200	MEMERB2212M15	Blind rear panel MEM 2200x1200, steel 1.5mm
2200	300	MEMERB2303M15	Blind rear panel MEM 2300x300, steel 1.5mm
2300	400	MEMERB2304M15	Blind rear panel MEM 2300x400, steel 1.5mm
2300	500	MEMERB2305M15	Blind rear panel MEM 2300x500, steel 1.5mm
2300	600	MEMERB2306M15	Blind rear panel MEM 2300x600, steel 1.5mm
2300	700	MEMERB2307M15	Blind rear panel MEM 2300x700, steel 1.5mm
2300	800	MEMERB2308M15	Blind rear panel MEM 2300x800, steel 1.5mm
2300	900	MEMERB2309M15	Blind rear panel MEM 2300x900, steel 1.5mm
2300	1000	MEMERB2310M15	Blind rear panel MEM 2300x1000, steel 1.5mm
2300	1200	MEMERB2312M15	Blind rear panel MEM 2300x1200, steel 1.5mm

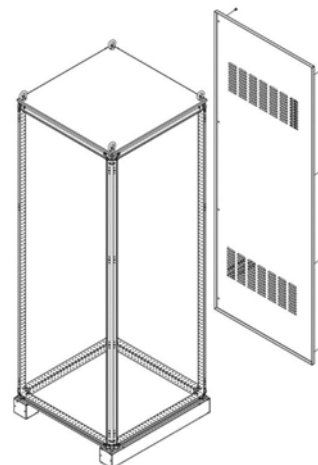


**Vented rear panel MEM - Tấm lưng thông gió MEM**

Material: 1.5mm mild steel, painted in RAL 7035

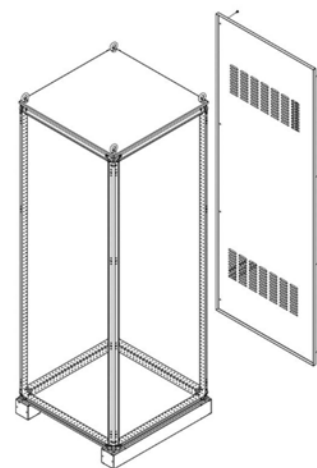
Package: 1 pcs the Vented rear panel

Dimensions		Order codes	Description
H(mm)	W(mm)		
1400	300	MEMERV1403M15	Vented rear panel MEM 1400x300, steel 1.5mm
1400	400	MEMERV1404M15	Vented rear panel MEM 1400x400, steel 1.5mm
1400	500	MEMERV1405M15	Vented rear panel MEM 1400x500, steel 1.5mm
1400	600	MEMERV1406M15	Vented rear panel MEM 1400x600, steel 1.5mm
1400	700	MEMERV1407M15	Vented rear panel MEM 1400x700, steel 1.5mm
1400	800	MEMERV1408M15	Vented rear panel MEM 1400x800, steel 1.5mm
1400	900	MEMERV1409M15	Vented rear panel MEM 1400x900, steel 1.5mm
1400	1000	MEMERV1410M15	Vented rear panel MEM 1400x1000, steel 1.5mm
1400	1200	MEMERV1412M15	Vented rear panel MEM 1400x1200, steel 1.5mm
1500	300	MEMERV1503M15	Vented rear panel MEM 1500x300, steel 1.5mm
1500	400	MEMERV1504M15	Vented rear panel MEM 1500x400, steel 1.5mm
1500	500	MEMERV1505M15	Vented rear panel MEM 1500x500, steel 1.5mm
1500	600	MEMERV1506M15	Vented rear panel MEM 1500x600, steel 1.5mm
1500	700	MEMERV1507M15	Vented rear panel MEM 1500x700, steel 1.5mm
1500	800	MEMERV1508M15	Vented rear panel MEM 1500x800, steel 1.5mm
1500	900	MEMERV1509M15	Vented rear panel MEM 1500x900, steel 1.5mm
1500	1000	MEMERV1510M15	Vented rear panel MEM 1500x1000, steel 1.5mm
1500	1200	MEMERV1512M15	Vented rear panel MEM 1500x1200, steel 1.5mm
1600	300	MEMERV1603M15	Vented rear panel MEM 1600x300, steel 1.5mm
1600	400	MEMERV1604M15	Vented rear panel MEM 1600x400, steel 1.5mm
1600	500	MEMERV1605M15	Vented rear panel MEM 1600x500, steel 1.5mm
1600	600	MEMERV1606M15	Vented rear panel MEM 1600x600, steel 1.5mm
1600	700	MEMERV1607M15	Vented rear panel MEM 1600x700, steel 1.5mm
1600	800	MEMERV1608M15	Vented rear panel MEM 1600x800, steel 1.5mm
1600	900	MEMERV1609M15	Vented rear panel MEM 1600x900, steel 1.5mm
1600	1000	MEMERV1610M15	Vented rear panel MEM 1600x1000, steel 1.5mm
1600	1200	MEMERV1612M15	Vented rear panel MEM 1600x1200, steel 1.5mm
1700	300	MEMERV1703M15	Vented rear panel MEM 1700x300, steel 1.5mm
1700	400	MEMERV1704M15	Vented rear panel MEM 1700x400, steel 1.5mm
1700	500	MEMERV1705M15	Vented rear panel MEM 1700x500, steel 1.5mm
1700	600	MEMERV1706M15	Vented rear panel MEM 1700x600, steel 1.5mm
1700	700	MEMERV1707M15	Vented rear panel MEM 1700x700, steel 1.5mm
1700	800	MEMERV1708M15	Vented rear panel MEM 1700x800, steel 1.5mm
1700	900	MEMERV1709M15	Vented rear panel MEM 1700x900, steel 1.5mm
1700	1000	MEMERV1710M15	Vented rear panel MEM 1700x1000, steel 1.5mm
1700	1200	MEMERV1712M15	Vented rear panel MEM 1700x1200, steel 1.5mm
1800	300	MEMERV1803M15	Vented rear panel MEM 1800x300, steel 1.5mm
1800	400	MEMERV1804M15	Vented rear panel MEM 1800x400, steel 1.5mm
1800	500	MEMERV1805M15	Vented rear panel MEM 1800x500, steel 1.5mm
1800	600	MEMERV1806M15	Vented rear panel MEM 1800x600, steel 1.5mm
1800	700	MEMERV1807M15	Vented rear panel MEM 1800x700, steel 1.5mm
1800	800	MEMERV1808M15	Vented rear panel MEM 1800x800, steel 1.5mm
1800	900	MEMERV1809M15	Vented rear panel MEM 1800x900, steel 1.5mm





1800	1000	MEMERV1810M15	Vented rear panel MEM 1800x1000, steel 1.5mm
1800	1200	MEMERV1812M15	Vented rear panel MEM 1800x1200, steel 1.5mm
1900	300	MEMERV1903M15	Vented rear panel MEM 1900x300, steel 1.5mm
1900	400	MEMERV1904M15	Vented rear panel MEM 1900x400, steel 1.5mm
1900	500	MEMERV1905M15	Vented rear panel MEM 1900x500, steel 1.5mm
1900	600	MEMERV1906M15	Vented rear panel MEM 1900x600, steel 1.5mm
1900	700	MEMERV1907M15	Vented rear panel MEM 1900x700, steel 1.5mm
1900	800	MEMERV1908M15	Vented rear panel MEM 1900x800, steel 1.5mm
1900	900	MEMERV1909M15	Vented rear panel MEM 1900x900, steel 1.5mm
1900	1000	MEMERV1910M15	Vented rear panel MEM 1900x1000, steel 1.5mm
1900	1200	MEMERV1912M15	Vented rear panel MEM 1900x1200, steel 1.5mm
2000	300	MEMERV2003M15	Vented rear panel MEM 2000x300, steel 1.5mm
2000	400	MEMERV2004M15	Vented rear panel MEM 2000x400, steel 1.5mm
2000	500	MEMERV2005M15	Vented rear panel MEM 2000x500, steel 1.5mm
2000	600	MEMERV2006M15	Vented rear panel MEM 2000x600, steel 1.5mm
2000	700	MEMERV2007M15	Vented rear panel MEM 2000x700, steel 1.5mm
2000	800	MEMERV2008M15	Vented rear panel MEM 2000x800, steel 1.5mm
2000	900	MEMERV2009M15	Vented rear panel MEM 2000x900, steel 1.5mm
2000	1000	MEMERV2010M15	Vented rear panel MEM 2000x1000, steel 1.5mm
2000	1200	MEMERV2012M15	Vented rear panel MEM 2000x1200, steel 1.5mm
2100	300	MEMERV2103M15	Vented rear panel MEM 2100x300, steel 1.5mm
2100	400	MEMERV2104M15	Vented rear panel MEM 2100x400, steel 1.5mm
2100	500	MEMERV2105M15	Vented rear panel MEM 2100x500, steel 1.5mm
2100	600	MEMERV2106M15	Vented rear panel MEM 2100x600, steel 1.5mm
2100	700	MEMERV2107M15	Vented rear panel MEM 2100x700, steel 1.5mm
2100	800	MEMERV2108M15	Vented rear panel MEM 2100x800, steel 1.5mm
2100	900	MEMERV2109M15	Vented rear panel MEM 2100x900, steel 1.5mm
2100	1000	MEMERV2110M15	Vented rear panel MEM 2100x1000, steel 1.5mm
2100	1200	MEMERV2112M15	Vented rear panel MEM 2100x1200, steel 1.5mm
2200	300	MEMERV2203M15	Vented rear panel MEM 2200x300, steel 1.5mm
2200	400	MEMERV2204M15	Vented rear panel MEM 2200x400, steel 1.5mm
2200	500	MEMERV2205M15	Vented rear panel MEM 2200x500, steel 1.5mm
2200	600	MEMERV2206M15	Vented rear panel MEM 2200x600, steel 1.5mm
2200	700	MEMERV2207M15	Vented rear panel MEM 2200x700, steel 1.5mm
2200	800	MEMERV2208M15	Vented rear panel MEM 2200x800, steel 1.5mm
2200	900	MEMERV2209M15	Vented rear panel MEM 2200x900, steel 1.5mm
2200	1000	MEMERV2210M15	Vented rear panel MEM 2200x1000, steel 1.5mm
2200	1200	MEMERV2212M15	Vented rear panel MEM 2200x1200, steel 1.5mm
2300	300	MEMERV2303M15	Vented rear panel MEM 2300x300, steel 1.5mm
2300	400	MEMERV2304M15	Vented rear panel MEM 2300x400, steel 1.5mm
2300	500	MEMERV2305M15	Vented rear panel MEM 2300x500, steel 1.5mm
2300	600	MEMERV2306M15	Vented rear panel MEM 2300x600, steel 1.5mm
2300	700	MEMERV2307M15	Vented rear panel MEM 2300x700, steel 1.5mm
2300	800	MEMERV2308M15	Vented rear panel MEM 2300x800, steel 1.5mm
2300	900	MEMERV2309M15	Vented rear panel MEM 2300x900, steel 1.5mm
2300	1000	MEMERV2310M15	Vented rear panel MEM 2300x1000, steel 1.5mm
2300	1200	MEMERV2312M15	Vented rear panel MEM 2300x1200, steel 1.5mm

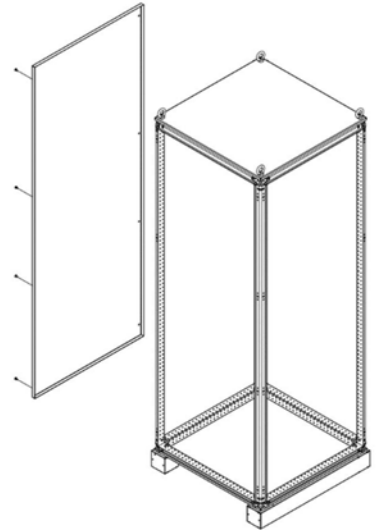


**SIDE PANEL – TẤM HÔNG**
**Blind side panel MEM - Tấm hông tròn MEM**

Material: 1.5mm mild steel, painted in RAL 7035

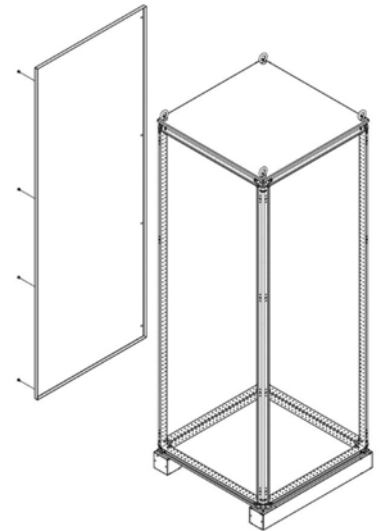
Package: 1 pcs the Blind side panel

Dimensions		Order codes	Description
H(mm)	D(mm)		
1400	400	MEMESB1404M15	Blind side panel MEM 1400x400, steel 1.5mm
1400	500	MEMESB1405M15	Blind side panel MEM 1400x500, steel 1.5mm
1400	600	MEMESB1406M15	Blind side panel MEM 1400x600, steel 1.5mm
1500	400	MEMESB1504M15	Blind side panel MEM 1500x400, steel 1.5mm
1500	500	MEMESB1505M15	Blind side panel MEM 1500x500, steel 1.5mm
1500	600	MEMESB1506M15	Blind side panel MEM 1500x600, steel 1.5mm
1500	700	MEMESB1507M15	Blind side panel MEM 1500x700, steel 1.5mm
1500	800	MEMESB1508M15	Blind side panel MEM 1500x800, steel 1.5mm
1600	400	MEMESB1604M15	Blind side panel MEM 1600x400, steel 1.5mm
1600	500	MEMESB1605M15	Blind side panel MEM 1600x500, steel 1.5mm
1600	600	MEMESB1606M15	Blind side panel MEM 1600x600, steel 1.5mm
1600	700	MEMESB1607M15	Blind side panel MEM 1600x700, steel 1.5mm
1600	800	MEMESB1608M15	Blind side panel MEM 1600x800, steel 1.5mm
1700	400	MEMESB1704M15	Blind side panel MEM 1700x400, steel 1.5mm
1700	500	MEMESB1705M15	Blind side panel MEM 1700x500, steel 1.5mm
1700	600	MEMESB1706M15	Blind side panel MEM 1700x600, steel 1.5mm
1700	700	MEMESB1707M15	Blind side panel MEM 1700x700, steel 1.5mm
1700	800	MEMESB1708M15	Blind side panel MEM 1700x800, steel 1.5mm
1700	900	MEMESB1709M15	Blind side panel MEM 1700x900, steel 1.5mm
1700	1000	MEMESB1710M15	Blind side panel MEM 1700x1000, steel 1.5mm
1700	1200	MEMESB1712M15	Blind side panel MEM 1700x1200, steel 1.5mm
1800	400	MEMESB1804M15	Blind side panel MEM 1800x400, steel 1.5mm
1800	500	MEMESB1805M15	Blind side panel MEM 1800x500, steel 1.5mm
1800	600	MEMESB1806M15	Blind side panel MEM 1800x600, steel 1.5mm
1800	700	MEMESB1807M15	Blind side panel MEM 1800x700, steel 1.5mm
1800	800	MEMESB1808M15	Blind side panel MEM 1800x800, steel 1.5mm
1800	900	MEMESB1809M15	Blind side panel MEM 1800x900, steel 1.5mm
1800	1000	MEMESB1810M15	Blind side panel MEM 1800x1000, steel 1.5mm
1800	1200	MEMESB1812M15	Blind side panel MEM 1800x1200, steel 1.5mm
1900	400	MEMESB1904M15	Blind side panel MEM 1900x400, steel 1.5mm
1900	500	MEMESB1905M15	Blind side panel MEM 1900x500, steel 1.5mm
1900	600	MEMESB1906M15	Blind side panel MEM 1900x600, steel 1.5mm
1900	700	MEMESB1907M15	Blind side panel MEM 1900x700, steel 1.5mm
1900	800	MEMESB1908M15	Blind side panel MEM 1900x800, steel 1.5mm
1900	900	MEMESB1909M15	Blind side panel MEM 1900x900, steel 1.5mm
1900	1000	MEMESB1910M15	Blind side panel MEM 1900x1000, steel 1.5mm
1900	1200	MEMESB1912M15	Blind side panel MEM 1900x1200, steel 1.5mm
2000	400	MEMESB2004M15	Blind side panel MEM 2000x400, steel 1.5mm





2000	500	MEMESB2005M15	Blind side panel MEM 2000x500, steel 1.5mm
2000	600	MEMESB2006M15	Blind side panel MEM 2000x600, steel 1.5mm
2000	700	MEMESB2007M15	Blind side panel MEM 2000x700, steel 1.5mm
2000	800	MEMESB2008M15	Blind side panel MEM 2000x800, steel 1.5mm
2000	900	MEMESB2009M15	Blind side panel MEM 2000x900, steel 1.5mm
2000	1000	MEMESB2010M15	Blind side panel MEM 2000x1000, steel 1.5mm
2000	1200	MEMESB2012M15	Blind side panel MEM 2000x1200, steel 1.5mm
2100	400	MEMESB2104M15	Blind side panel MEM 2100x400, steel 1.5mm
2100	500	MEMESB2105M15	Blind side panel MEM 2100x500, steel 1.5mm
2100	600	MEMESB2106M15	Blind side panel MEM 2100x600, steel 1.5mm
2100	700	MEMESB2107M15	Blind side panel MEM 2100x700, steel 1.5mm
2100	800	MEMESB2108M15	Blind side panel MEM 2100x800, steel 1.5mm
2100	900	MEMESB2109M15	Blind side panel MEM 2100x900, steel 1.5mm
2100	1000	MEMESB2110M15	Blind side panel MEM 2100x1000, steel 1.5mm
2100	1200	MEMESB2112M15	Blind side panel MEM 2100x1200, steel 1.5mm
2200	400	MEMESB2204M15	Blind side panel MEM 2200x400, steel 1.5mm
2200	500	MEMESB2205M15	Blind side panel MEM 2200x500, steel 1.5mm
2200	600	MEMESB2206M15	Blind side panel MEM 2200x600, steel 1.5mm
2200	700	MEMESB2207M15	Blind side panel MEM 2200x700, steel 1.5mm
2200	800	MEMESB2208M15	Blind side panel MEM 2200x800, steel 1.5mm
2200	900	MEMESB2209M15	Blind side panel MEM 2200x900, steel 1.5mm
2200	1000	MEMESB2210M15	Blind side panel MEM 2200x1000, steel 1.5mm
2200	1200	MEMESB2212M15	Blind side panel MEM 2200x1200, steel 1.5mm
2300	400	MEMESB2304M15	Blind side panel MEM 2300x400, steel 1.5mm
2300	500	MEMESB2305M15	Blind side panel MEM 2300x500, steel 1.5mm
2300	600	MEMESB2306M15	Blind side panel MEM 2300x600, steel 1.5mm
2300	700	MEMESB2307M15	Blind side panel MEM 2300x700, steel 1.5mm
2300	800	MEMESB2308M15	Blind side panel MEM 2300x800, steel 1.5mm
2300	900	MEMESB2309M15	Blind side panel MEM 2300x900, steel 1.5mm
2300	1000	MEMESB2310M15	Blind side panel MEM 2300x1000, steel 1.5mm
2300	1200	MEMESB2312M15	Blind side panel MEM 2300x1200, steel 1.5mm

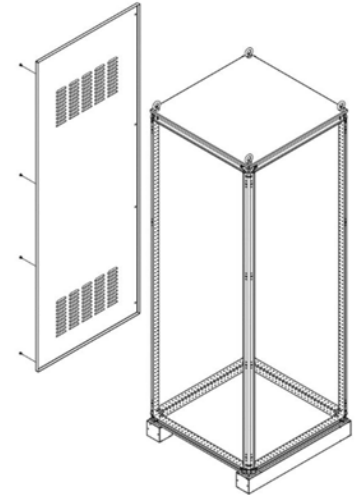


**Vented side panel MEM - Tấm hông thông gió MEM**

Material: 1.5mm mild steel, painted in RAL 7035

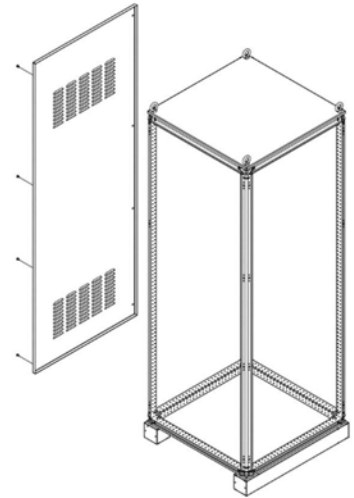
Package: 1 pcs the Vented side panel

Dimensions		Order codes	Description
H(mm)	D(mm)		
1400	400	MEMESV1404M15	Vented side panel MEM 1400x400, steel 1.5mm
1400	500	MEMESV1405M15	Vented side panel MEM 1400x500, steel 1.5mm
1400	600	MEMESV1406M15	Vented side panel MEM 1400x600, steel 1.5mm
1500	400	MEMESV1504M15	Vented side panel MEM 1500x400, steel 1.5mm
1500	500	MEMESV1505M15	Vented side panel MEM 1500x500, steel 1.5mm
1500	600	MEMESV1506M15	Vented side panel MEM 1500x600, steel 1.5mm
1500	700	MEMESV1507M15	Vented side panel MEM 1500x700, steel 1.5mm
1500	800	MEMESV1508M15	Vented side panel MEM 1500x800, steel 1.5mm
1600	400	MEMESV1604M15	Vented side panel MEM 1600x400, steel 1.5mm
1600	500	MEMESV1605M15	Vented side panel MEM 1600x500, steel 1.5mm
1600	600	MEMESV1606M15	Vented side panel MEM 1600x600, steel 1.5mm
1600	700	MEMESV1607M15	Vented side panel MEM 1600x700, steel 1.5mm
1600	800	MEMESV1608M15	Vented side panel MEM 1600x800, steel 1.5mm
1700	400	MEMESV1704M15	Vented side panel MEM 1700x400, steel 1.5mm
1700	500	MEMESV1705M15	Vented side panel MEM 1700x500, steel 1.5mm
1700	600	MEMESV1706M15	Vented side panel MEM 1700x600, steel 1.5mm
1700	700	MEMESV1707M15	Vented side panel MEM 1700x700, steel 1.5mm
1700	800	MEMESV1708M15	Vented side panel MEM 1700x800, steel 1.5mm
1700	900	MEMESV1709M15	Vented side panel MEM 1700x900, steel 1.5mm
1700	1000	MEMESV1710M15	Vented side panel MEM 1700x1000, steel 1.5mm
1700	1200	MEMESV1712M15	Vented side panel MEM 1700x1200, steel 1.5mm
1800	400	MEMESV1804M15	Vented side panel MEM 1800x400, steel 1.5mm
1800	500	MEMESV1805M15	Vented side panel MEM 1800x500, steel 1.5mm
1800	600	MEMESV1806M15	Vented side panel MEM 1800x600, steel 1.5mm
1800	700	MEMESV1807M15	Vented side panel MEM 1800x700, steel 1.5mm
1800	800	MEMESV1808M15	Vented side panel MEM 1800x800, steel 1.5mm
1800	900	MEMESV1809M15	Vented side panel MEM 1800x900, steel 1.5mm
1800	1000	MEMESV1810M15	Vented side panel MEM 1800x1000, steel 1.5mm
1800	1200	MEMESV1812M15	Vented side panel MEM 1800x1200, steel 1.5mm
1900	400	MEMESV1904M15	Vented side panel MEM 1900x400, steel 1.5mm
1900	500	MEMESV1905M15	Vented side panel MEM 1900x500, steel 1.5mm
1900	600	MEMESV1906M15	Vented side panel MEM 1900x600, steel 1.5mm
1900	700	MEMESV1907M15	Vented side panel MEM 1900x700, steel 1.5mm
1900	800	MEMESV1908M15	Vented side panel MEM 1900x800, steel 1.5mm
1900	900	MEMESV1909M15	Vented side panel MEM 1900x900, steel 1.5mm
1900	1000	MEMESV1910M15	Vented side panel MEM 1900x1000, steel 1.5mm
1900	1200	MEMESV1912M15	Vented side panel MEM 1900x1200, steel 1.5mm
2000	400	MEMESV2004M15	Vented side panel MEM 2000x400, steel 1.5mm
2000	500	MEMESV2005M15	Vented side panel MEM 2000x500, steel 1.5mm





2000	600	MEMESV2006M15	Vented side panel MEM 2000x600, steel 1.5mm
2000	700	MEMESV2007M15	Vented side panel MEM 2000x700, steel 1.5mm
2000	800	MEMESV2008M15	Vented side panel MEM 2000x800, steel 1.5mm
2000	900	MEMESV2009M15	Vented side panel MEM 2000x900, steel 1.5mm
2000	1000	MEMESV2010M15	Vented side panel MEM 2000x1000, steel 1.5mm
2000	1200	MEMESV2012M15	Vented side panel MEM 2000x1200, steel 1.5mm
2100	400	MEMESV2104M15	Vented side panel MEM 2100x400, steel 1.5mm
2100	500	MEMESV2105M15	Vented side panel MEM 2100x500, steel 1.5mm
2100	600	MEMESV2106M15	Vented side panel MEM 2100x600, steel 1.5mm
2100	700	MEMESV2107M15	Vented side panel MEM 2100x700, steel 1.5mm
2100	800	MEMESV2108M15	Vented side panel MEM 2100x800, steel 1.5mm
2100	900	MEMESV2109M15	Vented side panel MEM 2100x900, steel 1.5mm
2100	1000	MEMESV2110M15	Vented side panel MEM 2100x1000, steel 1.5mm
2100	1200	MEMESV2112M15	Vented side panel MEM 2100x1200, steel 1.5mm
2200	400	MEMESV2204M15	Vented side panel MEM 2200x400, steel 1.5mm
2200	500	MEMESV2205M15	Vented side panel MEM 2200x500, steel 1.5mm
2200	600	MEMESV2206M15	Vented side panel MEM 2200x600, steel 1.5mm
2200	700	MEMESV2207M15	Vented side panel MEM 2200x700, steel 1.5mm
2200	800	MEMESV2208M15	Vented side panel MEM 2200x800, steel 1.5mm
2200	900	MEMESV2209M15	Vented side panel MEM 2200x900, steel 1.5mm
2200	1000	MEMESV2210M15	Vented side panel MEM 2200x1000, steel 1.5mm
2200	1200	MEMESV2212M15	Vented side panel MEM 2200x1200, steel 1.5mm
2300	400	MEMESV2304M15	Vented side panel MEM 2300x400, steel 1.5mm
2300	500	MEMESV2305M15	Vented side panel MEM 2300x500, steel 1.5mm
2300	600	MEMESV2306M15	Vented side panel MEM 2300x600, steel 1.5mm
2300	700	MEMESV2307M15	Vented side panel MEM 2300x700, steel 1.5mm
2300	800	MEMESV2308M15	Vented side panel MEM 2300x800, steel 1.5mm
2300	900	MEMESV2309M15	Vented side panel MEM 2300x900, steel 1.5mm
2300	1000	MEMESV2310M15	Vented side panel MEM 2300x1000, steel 1.5mm
2300	1200	MEMESV2312M15	Vented side panel MEM 2300x1200, steel 1.5mm



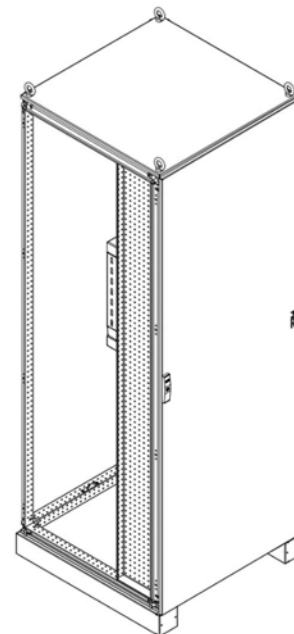


**BLIND SINGLE DOOR – CỬA ĐƠN TRƠN**
**Blind door MEM - Cửa trơn MEM**

Material: 2.0mm mild steel, painted in RAL 7035

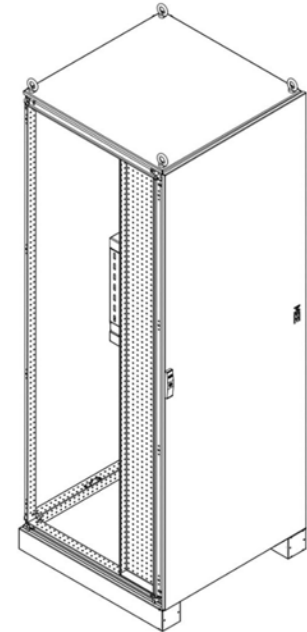
Package: 1 pcs the Blind door, 1 set of lock, 4set hinges and door stiffeners

Dimensions		Order codes	Description
H(mm)	W(mm)		
1400	300	MEMEDB1403M20	Blind door MEM 1400x300, steel 2.0mm
1400	400	MEMEDB1404M20	Blind door MEM 1400x400, steel 2.0mm
1400	500	MEMEDB1405M20	Blind door MEM 1400x500, steel 2.0mm
1400	600	MEMEDB1406M20	Blind door MEM 1400x600, steel 2.0mm
1400	700	MEMEDB1407M20	Blind door MEM 1400x700, steel 2.0mm
1400	800	MEMEDB1408M20	Blind door MEM 1400x800, steel 2.0mm
1400	900	MEMEDB1409M20	Blind door MEM 1400x900, steel 2.0mm
1400	1000	MEMEDB1410M20	Blind door MEM 1400x1000, steel 2.0mm
1500	300	MEMEDB1503M20	Blind door MEM 1500x300, steel 2.0mm
1500	400	MEMEDB1504M20	Blind door MEM 1500x400, steel 2.0mm
1500	500	MEMEDB1505M20	Blind door MEM 1500x500, steel 2.0mm
1500	600	MEMEDB1506M20	Blind door MEM 1500x600, steel 2.0mm
1500	700	MEMEDB1507M20	Blind door MEM 1500x700, steel 2.0mm
1500	800	MEMEDB1508M20	Blind door MEM 1500x800, steel 2.0mm
1500	900	MEMEDB1509M20	Blind door MEM 1500x900, steel 2.0mm
1500	1000	MEMEDB1510M20	Blind door MEM 1500x1000, steel 2.0mm
1600	300	MEMEDB1603M20	Blind door MEM 1600x300, steel 2.0mm
1600	400	MEMEDB1604M20	Blind door MEM 1600x400, steel 2.0mm
1600	500	MEMEDB1605M20	Blind door MEM 1600x500, steel 2.0mm
1600	600	MEMEDB1606M20	Blind door MEM 1600x600, steel 2.0mm
1600	700	MEMEDB1607M20	Blind door MEM 1600x700, steel 2.0mm
1600	800	MEMEDB1608M20	Blind door MEM 1600x800, steel 2.0mm
1600	900	MEMEDB1609M20	Blind door MEM 1600x900, steel 2.0mm
1600	1000	MEMEDB1610M20	Blind door MEM 1600x1000, steel 2.0mm
1700	300	MEMEDB1703M20	Blind door MEM 1700x300, steel 2.0mm
1700	400	MEMEDB1704M20	Blind door MEM 1700x400, steel 2.0mm
1700	500	MEMEDB1705M20	Blind door MEM 1700x500, steel 2.0mm
1700	600	MEMEDB1706M20	Blind door MEM 1700x600, steel 2.0mm
1700	700	MEMEDB1707M20	Blind door MEM 1700x700, steel 2.0mm
1700	800	MEMEDB1708M20	Blind door MEM 1700x800, steel 2.0mm
1700	900	MEMEDB1709M20	Blind door MEM 1700x900, steel 2.0mm
1700	1000	MEMEDB1710M20	Blind door MEM 1700x1000, steel 2.0mm
1800	300	MEMEDB1803M20	Blind door MEM 1800x300, steel 2.0mm
1800	400	MEMEDB1804M20	Blind door MEM 1800x400, steel 2.0mm
1800	500	MEMEDB1805M20	Blind door MEM 1800x500, steel 2.0mm
1800	600	MEMEDB1806M20	Blind door MEM 1800x600, steel 2.0mm
1800	700	MEMEDB1807M20	Blind door MEM 1800x700, steel 2.0mm





1800	800	MEMEDB1808M20	Blind door MEM 1800x800, steel 2.0mm
1800	900	MEMEDB1809M20	Blind door MEM 1800x900, steel 2.0mm
1800	1000	MEMEDB1810M20	Blind door MEM 1800x1000, steel 2.0mm
1900	300	MEMEDB1903M20	Blind door MEM 1900x300, steel 2.0mm
1900	400	MEMEDB1904M20	Blind door MEM 1900x400, steel 2.0mm
1900	500	MEMEDB1905M20	Blind door MEM 1900x500, steel 2.0mm
1900	600	MEMEDB1906M20	Blind door MEM 1900x600, steel 2.0mm
1900	700	MEMEDB1907M20	Blind door MEM 1900x700, steel 2.0mm
1900	800	MEMEDB1908M20	Blind door MEM 1900x800, steel 2.0mm
1900	900	MEMEDB1909M20	Blind door MEM 1900x900, steel 2.0mm
1900	1000	MEMEDB1910M20	Blind door MEM 1900x1000, steel 2.0mm
2000	300	MEMEDB2003M20	Blind door MEM 2000x300, steel 2.0mm
2000	400	MEMEDB2004M20	Blind door MEM 2000x400, steel 2.0mm
2000	500	MEMEDB2005M20	Blind door MEM 2000x500, steel 2.0mm
2000	600	MEMEDB2006M20	Blind door MEM 2000x600, steel 2.0mm
2000	700	MEMEDB2007M20	Blind door MEM 2000x700, steel 2.0mm
2000	800	MEMEDB2008M20	Blind door MEM 2000x800, steel 2.0mm
2000	900	MEMEDB2009M20	Blind door MEM 2000x900, steel 2.0mm
2000	1000	MEMEDB2010M20	Blind door MEM 2000x1000, steel 2.0mm
2100	300	MEMEDB2103M20	Blind door MEM 2100x300, steel 2.0mm
2100	400	MEMEDB2104M20	Blind door MEM 2100x400, steel 2.0mm
2100	500	MEMEDB2105M20	Blind door MEM 2100x500, steel 2.0mm
2100	600	MEMEDB2106M20	Blind door MEM 2100x600, steel 2.0mm
2100	700	MEMEDB2107M20	Blind door MEM 2100x700, steel 2.0mm
2100	800	MEMEDB2108M20	Blind door MEM 2100x800, steel 2.0mm
2100	900	MEMEDB2109M20	Blind door MEM 2100x900, steel 2.0mm
2100	1000	MEMEDB2110M20	Blind door MEM 2100x1000, steel 2.0mm
2200	300	MEMEDB2203M20	Blind door MEM 2200x300, steel 2.0mm
2200	400	MEMEDB2204M20	Blind door MEM 2200x400, steel 2.0mm
2200	500	MEMEDB2205M20	Blind door MEM 2200x500, steel 2.0mm
2200	600	MEMEDB2206M20	Blind door MEM 2200x600, steel 2.0mm
2200	700	MEMEDB2207M20	Blind door MEM 2200x700, steel 2.0mm
2200	800	MEMEDB2208M20	Blind door MEM 2200x800, steel 2.0mm
2200	900	MEMEDB2209M20	Blind door MEM 2200x900, steel 2.0mm
2200	1000	MEMEDB2210M20	Blind door MEM 2200x1000, steel 2.0mm
2300	300	MEMEDB2303M20	Blind door MEM 2300x300, steel 2.0mm
2300	400	MEMEDB2304M20	Blind door MEM 2300x400, steel 2.0mm
2300	500	MEMEDB2305M20	Blind door MEM 2300x500, steel 2.0mm
2300	600	MEMEDB2306M20	Blind door MEM 2300x600, steel 2.0mm
2300	700	MEMEDB2307M20	Blind door MEM 2300x700, steel 2.0mm
2300	800	MEMEDB2308M20	Blind door MEM 2300x800, steel 2.0mm
2300	900	MEMEDB2309M20	Blind door MEM 2300x900, steel 2.0mm
2300	1000	MEMEDB2310M20	Blind door MEM 2300x1000, steel 2.0mm



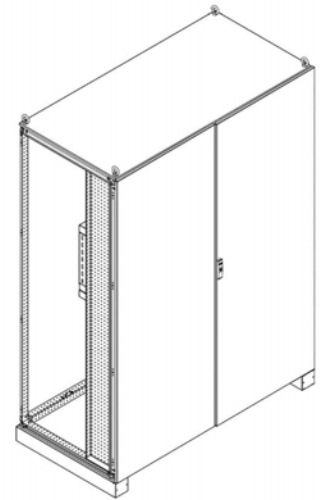
## BLIND DOUBLE DOOR – CỬA ĐÔI TRƠN

### Blind double door - Cửa đôi trơn MEM

Material: 2.0mm mild steel, painted in RAL 7035

Package: 1 set of blind door with overlapping and door with handle, 8set hinges and door stiffeners

Dimensions		Order codes	Description
H(mm)	W(mm)		
1400	1000	MEMEDD1410M20	Blind double door MEM 1400x1000, steel 2.0mm
1500	1000	MEMEDD1510M20	Blind double door MEM 1500x1000, steel 2.0mm
1600	1000	MEMEDD1610M20	Blind double door MEM 1600x1000, steel 2.0mm
1700	1000	MEMEDD1710M20	Blind double door MEM 1700x1000, steel 2.0mm
1800	1000	MEMEDD1810M20	Blind double door MEM 1800x1000, steel 2.0mm
1900	1000	MEMEDD1910M20	Blind double door MEM 1900x1000, steel 2.0mm
2000	1000	MEMEDD2010M20	Blind double door MEM 2000x1000, steel 2.0mm
2100	1000	MEMEDD2110M20	Blind double door MEM 2100x1000, steel 2.0mm
2200	1000	MEMEDD2210M20	Blind double door MEM 2200x1000, steel 2.0mm
2300	1000	MEMEDD2310M20	Blind double door MEM 2300x1000, steel 2.0mm
1400	1200	MEMEDD1412M20	Blind double door MEM 1400x1200, steel 2.0mm
1500	1200	MEMEDD1512M20	Blind double door MEM 1500x1200, steel 2.0mm
1600	1200	MEMEDD1612M20	Blind double door MEM 1600x1200, steel 2.0mm
1700	1200	MEMEDD1712M20	Blind double door MEM 1700x1200, steel 2.0mm
1800	1200	MEMEDD1812M20	Blind double door MEM 1800x1200, steel 2.0mm
1900	1200	MEMEDD1912M20	Blind double door MEM 1900x1200, steel 2.0mm
2000	1200	MEMEDD2012M20	Blind double door MEM 2000x1200, steel 2.0mm
2100	1200	MEMEDD2112M20	Blind double door MEM 2100x1200, steel 2.0mm
2200	1200	MEMEDD2212M20	Blind double door MEM 2200x1200, steel 2.0mm
2300	1200	MEMEDD2312M20	Blind double door MEM 2300x1200, steel 2.0mm



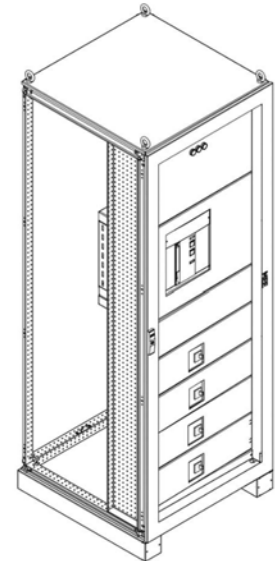
## GLASS DOOR – CỬA KÍNH

### Glass door MEM - Cửa kính MEM

Material: 2.0mm mild steel, painted in RAL 7035

Package: 1 pcs the Glass door, 1 set of lock, 4set hinges and door stiffeners

Dimensions		Order codes	Description
H(mm)	W(mm)		
1400	600	MEMEDG1406M20	Glass door MEM 1400x600, steel 2.0mm
1400	700	MEMEDG1407M20	Glass door MEM 1400x700, steel 2.0mm
1400	800	MEMEDG1408M20	Glass door MEM 1400x800, steel 2.0mm
1400	900	MEMEDG1409M20	Glass door MEM 1400x900, steel 2.0mm
1400	1000	MEMEDG1410M20	Glass door MEM 1400x1000, steel 2.0mm
1500	600	MEMEDG1506M20	Glass door MEM 1500x600, steel 2.0mm
1500	700	MEMEDG1507M20	Glass door MEM 1500x700, steel 2.0mm
1500	800	MEMEDG1508M20	Glass door MEM 1500x800, steel 2.0mm
1500	900	MEMEDG1509M20	Glass door MEM 1500x900, steel 2.0mm
1500	1000	MEMEDG1510M20	Glass door MEM 1500x1000, steel 2.0mm
1600	600	MEMEDG1606M20	Glass door MEM 1600x600, steel 2.0mm
1600	700	MEMEDG1607M20	Glass door MEM 1600x700, steel 2.0mm
1600	800	MEMEDG1608M20	Glass door MEM 1600x800, steel 2.0mm
1600	900	MEMEDG1609M20	Glass door MEM 1600x900, steel 2.0mm
1600	1000	MEMEDG1610M20	Glass door MEM 1600x1000, steel 2.0mm
1700	600	MEMEDG1706M20	Glass door MEM 1700x600, steel 2.0mm
1700	700	MEMEDG1707M20	Glass door MEM 1700x700, steel 2.0mm
1700	800	MEMEDG1708M20	Glass door MEM 1700x800, steel 2.0mm
1700	900	MEMEDG1709M20	Glass door MEM 1700x900, steel 2.0mm
1700	1000	MEMEDG1710M20	Glass door MEM 1700x1000, steel 2.0mm
1800	600	MEMEDG1806M20	Glass door MEM 1800x600, steel 2.0mm
1800	700	MEMEDG1807M20	Glass door MEM 1800x700, steel 2.0mm
1800	800	MEMEDG1808M20	Glass door MEM 1800x800, steel 2.0mm
1800	900	MEMEDG1809M20	Glass door MEM 1800x900, steel 2.0mm
1800	1000	MEMEDG1810M20	Glass door MEM 1800x1000, steel 2.0mm
1900	600	MEMEDG1906M20	Glass door MEM 1900x600, steel 2.0mm
1900	700	MEMEDG1907M20	Glass door MEM 1900x700, steel 2.0mm
1900	800	MEMEDG1908M20	Glass door MEM 1900x800, steel 2.0mm
1900	900	MEMEDG1909M20	Glass door MEM 1900x900, steel 2.0mm
1900	1000	MEMEDG1910M20	Glass door MEM 1900x1000, steel 2.0mm
2000	600	MEMEDG2006M20	Glass door MEM 2000x600, steel 2.0mm
2000	700	MEMEDG2007M20	Glass door MEM 2000x700, steel 2.0mm
2000	800	MEMEDG2008M20	Glass door MEM 2000x800, steel 2.0mm
2000	900	MEMEDG2009M20	Glass door MEM 2000x900, steel 2.0mm
2000	1000	MEMEDG2010M20	Glass door MEM 2000x1000, steel 2.0mm
2100	600	MEMEDG2106M20	Glass door MEM 2100x600, steel 2.0mm
2100	700	MEMEDG2107M20	Glass door MEM 2100x700, steel 2.0mm
2100	800	MEMEDG2108M20	Glass door MEM 2100x800, steel 2.0mm
2100	900	MEMEDG2109M20	Glass door MEM 2100x900, steel 2.0mm
2100	1000	MEMEDG2110M20	Glass door MEM 2100x1000, steel 2.0mm
2200	600	MEMEDG2206M20	Glass door MEM 2200x600, steel 2.0mm
2200	700	MEMEDG2207M20	Glass door MEM 2200x700, steel 2.0mm
2200	800	MEMEDG2208M20	Glass door MEM 2200x800, steel 2.0mm
2200	900	MEMEDG2209M20	Glass door MEM 2200x900, steel 2.0mm
2200	1000	MEMEDG2210M20	Glass door MEM 2200x1000, steel 2.0mm
2300	600	MEMEDG2306M20	Glass door MEM 2300x600, steel 2.0mm
2300	700	MEMEDG2307M20	Glass door MEM 2300x700, steel 2.0mm
2300	800	MEMEDG2308M20	Glass door MEM 2300x800, steel 2.0mm
2300	900	MEMEDG2309M20	Glass door MEM 2300x900, steel 2.0mm
2300	1000	MEMEDG2310M20	Glass door MEM 2300x1000, steel 2.0mm

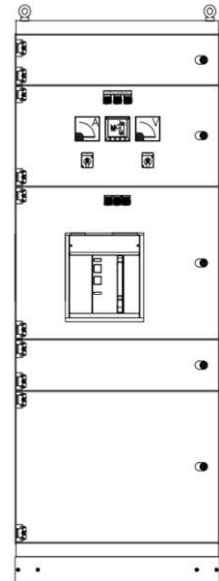


## PARTIAL DOOR – CỬA RÒI

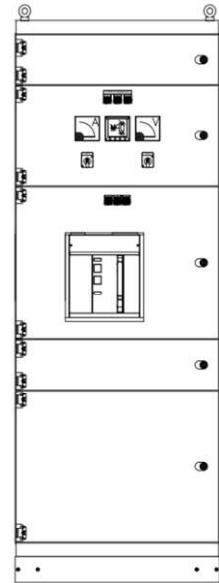
Material: 2.0mm mild steel, painted in RAL 7035

Package: 1 set of partial blind door with handle, hinges and door stiffeners

Dimensions		Order codes	Description
H(mm)	W(mm)		
200	400	MEMEDP0204M20	Partial door for MEM 200x400, steel 2.0mm
200	500	MEMEDP0205M20	Partial door for MEM 200x500, steel 2.0mm
200	600	MEMEDP0206M20	Partial door for MEM 200x600, steel 2.0mm
200	700	MEMEDP0207M20	Partial door for MEM 200x700, steel 2.0mm
200	800	MEMEDP0208M20	Partial door for MEM 200x800, steel 2.0mm
200	900	MEMEDP0209M20	Partial door for MEM 200x900, steel 2.0mm
200	1000	MEMEDP0210M20	Partial door for MEM 200x1000, steel 2.0mm
200	1200	MEMEDP0212M20	Partial door for MEM 200x1200, steel 2.0mm
300	400	MEMEDP0304M20	Partial door for MEM 300x400, steel 2.0mm
300	500	MEMEDP0305M20	Partial door for MEM 300x500, steel 2.0mm
300	600	MEMEDP0306M20	Partial door for MEM 300x600, steel 2.0mm
300	700	MEMEDP0307M20	Partial door for MEM 300x700, steel 2.0mm
300	800	MEMEDP0308M20	Partial door for MEM 300x800, steel 2.0mm
300	900	MEMEDP0309M20	Partial door for MEM 300x900, steel 2.0mm
300	1000	MEMEDP0310M20	Partial door for MEM 300x1000, steel 2.0mm
300	1200	MEMEDP0312M20	Partial door for MEM 300x1200, steel 2.0mm
400	400	MEMEDP0404M20	Partial door for MEM 400x400, steel 2.0mm
400	500	MEMEDP0405M20	Partial door for MEM 400x500, steel 2.0mm
400	600	MEMEDP0406M20	Partial door for MEM 400x600, steel 2.0mm
400	700	MEMEDP0407M20	Partial door for MEM 400x700, steel 2.0mm
400	800	MEMEDP0408M20	Partial door for MEM 400x800, steel 2.0mm
400	900	MEMEDP0409M20	Partial door for MEM 400x900, steel 2.0mm
400	1000	MEMEDP0410M20	Partial door for MEM 400x1000, steel 2.0mm
400	1200	MEMEDP0412M20	Partial door for MEM 400x1200, steel 2.0mm
500	400	MEMEDP0504M20	Partial door for MEM 500x400, steel 2.0mm
500	500	MEMEDP0505M20	Partial door for MEM 500x500, steel 2.0mm
500	600	MEMEDP0506M20	Partial door for MEM 500x600, steel 2.0mm
500	700	MEMEDP0507M20	Partial door for MEM 500x700, steel 2.0mm
500	800	MEMEDP0508M20	Partial door for MEM 500x800, steel 2.0mm
500	900	MEMEDP0509M20	Partial door for MEM 500x900, steel 2.0mm
500	1000	MEMEDP0510M20	Partial door for MEM 500x1000, steel 2.0mm
500	1200	MEMEDP0512M20	Partial door for MEM 500x1200, steel 2.0mm
600	400	MEMEDP0604M20	Partial door for MEM 600x400, steel 2.0mm
600	500	MEMEDP0605M20	Partial door for MEM 600x500, steel 2.0mm
600	600	MEMEDP0606M20	Partial door for MEM 600x600, steel 2.0mm
600	700	MEMEDP0607M20	Partial door for MEM 600x700, steel 2.0mm
600	800	MEMEDP0608M20	Partial door for MEM 600x800, steel 2.0mm
600	900	MEMEDP0609M20	Partial door for MEM 600x900, steel 2.0mm
600	1000	MEMEDP0610M20	Partial door for MEM 600x1000, steel 2.0mm



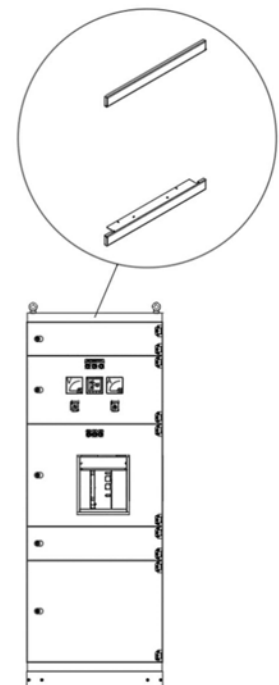
600	1200	MEMEDP0612M20	Partial door for MEM 600x1200, steel 2.0mm
800	400	MEMEDP0804M20	Partial door for MEM 800x400, steel 2.0mm
800	500	MEMEDP0805M20	Partial door for MEM 800x500, steel 2.0mm
800	600	MEMEDP0806M20	Partial door for MEM 800x600, steel 2.0mm
800	700	MEMEDP0807M20	Partial door for MEM 800x700, steel 2.0mm
800	800	MEMEDP0808M20	Partial door for MEM 800x800, steel 2.0mm
800	900	MEMEDP0809M20	Partial door for MEM 800x900, steel 2.0mm
800	1000	MEMEDP0810M20	Partial door for MEM 800x1000, steel 2.0mm
800	1200	MEMEDP0812M20	Partial door for MEM 800x1200, steel 2.0mm
1000	400	MEMEDP1004M20	Partial door for MEM 1000x400, steel 2.0mm
1000	500	MEMEDP1005M20	Partial door for MEM 1000x500, steel 2.0mm
1000	600	MEMEDP1006M20	Partial door for MEM 1000x600, steel 2.0mm
1000	700	MEMEDP1007M20	Partial door for MEM 1000x700, steel 2.0mm
1000	800	MEMEDP1008M20	Partial door for MEM 1000x800, steel 2.0mm
1000	900	MEMEDP1009M20	Partial door for MEM 1000x900, steel 2.0mm
1000	1000	MEMEDP1010M20	Partial door for MEM 1000x1000, steel 2.0mm
1000	1200	MEMEDP1012M20	Partial door for MEM 1000x1200, steel 2.0mm



**TOP/BOTTOM PANEL FOR PARTIAL DOOR – TẦM CHE TRÊN/DƯỚI CỬA RÒI**

Material: 2.0mm mild steel, painted in RAL 7035  
 Package: 1 set of Top and Bottom panel for partial door

Dimensions		Order codes	Description
H(mm)	W(mm)		
100	400	MEMEDF04M20	Top/Bottom panel for partial door 400, steel 2.0mm
100	500	MEMEDF05M20	Top/Bottom panel for partial door 500, steel 2.0mm
100	600	MEMEDF06M20	Top/Bottom panel for partial door 600, steel 2.0mm
100	700	MEMEDF07M20	Top/Bottom panel for partial door 700, steel 2.0mm
100	800	MEMEDF08M20	Top/Bottom panel for partial door 800, steel 2.0mm
100	900	MEMEDF09M20	Top/Bottom panel for partial door 900, steel 2.0mm
100	1000	MEMEDF10M20	Top/Bottom panel for partial door 1000, steel 2.0mm
100	1200	MEMEDF12M20	Top/Bottom panel for partial door 1200, steel 2.0mm



### Door accessories – Phụ kiện cửa

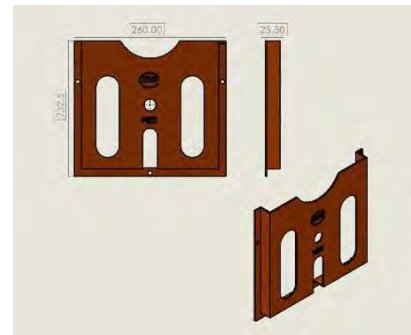
Order codes	Description
EDH	Door hinges
EDK	Door key locks
EDL	Door latch
EDT	Locking bracket
EDS	Hinges kit for panels



### Document pocket – Túi đựng hồ sơ

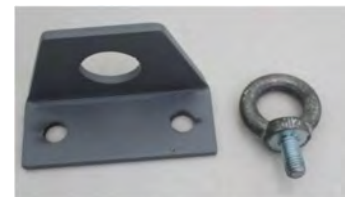
Material: Made of plastic, Orange color, A4 size.  
 The pocket can be glued inside the blind door  
 Package: 1 pcs document pocket

Order codes	Description
MEEPA4	Orange color, A4 size.



### Lifting – Móc cẩu

Order codes	Description
MEMELE	No.4 steel M12 eyebolts for lifting
MEMELR	No.2 lifting reinforcements for adjacent switchboards



## INTERNAL KITS

### KÍT LẮP BÊN TRONG

1	Mounting plates total height	Tấm thiết bị tổng chiều cao	33
2	Functional frame	Khung chức năng	35
3	Uprights frame for panels	Khung đứng lắp cửa trong	35
4	Top/Bottom fixed frame for internal	Che trên/dưới cho khung trong	35
5	Blind assembly plate	Tấm thiết bị rời	36
6	Flat blind panel	Cửa trơn tấm thiết bị	37
7	Recessed blind panel	Cửa âm tấm thiết bị	38
8	Kits for DIN rail	Kit lắp DIN rail	39
9	Panels for DIN rail	Cửa DIN rail	39
10	Kits for installation of Air circuit-breaker	Kit lắp máy cắt không khí ACB	39
11	Uprights support for fixing busbar holder	Giá đỡ thanh cái đứng	40
12	Width support for fixing busbar holder	Giá đỡ thanh cái ngang	40
13	Depth support for fixing busbar holder	Giá đỡ thanh cái sâu	40



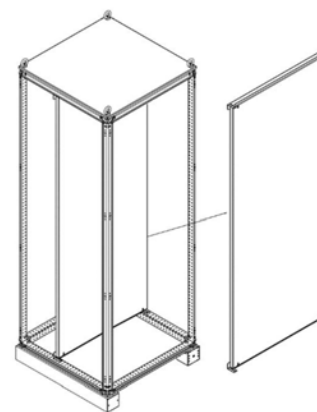
## MOUNTING PLATES TOTAL HEIGHT – TẤM THIẾT TỔNG CHIỀU CAO

### Mounting plates total height - Tấm thiết bị tổng chiều cao

Material: 2.0mm Zam or Ecogal sheet metal

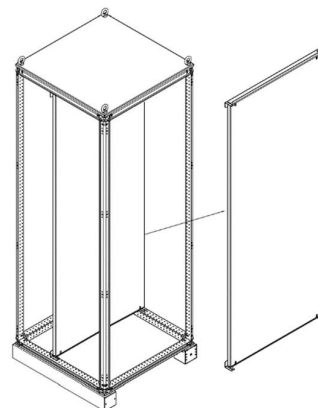
Package: 1pcs the mounting plate with crosspieces

Dimensions		Order codes	Description
H(mm)	W(mm)		
1400	400	MEMKPH1404	Mounting plates total height MEM 1400x400
1400	500	MEMKPH1405	Mounting plates total height MEM 1400x500
1400	600	MEMKPH1406	Mounting plates total height MEM 1400x600
1400	700	MEMKPH1407	Mounting plates total height MEM 1400x700
1400	800	MEMKPH1408	Mounting plates total height MEM 1400x800
1400	900	MEMKPH1409	Mounting plates total height MEM 1400x900
1400	1000	MEMKPH1410	Mounting plates total height MEM 1400x1000
1400	1200	MEMKPH1412	Mounting plates total height MEM 1400x1200
1500	400	MEMKPH1504	Mounting plates total height MEM 1500x400
1500	500	MEMKPH1505	Mounting plates total height MEM 1500x500
1500	600	MEMKPH1506	Mounting plates total height MEM 1500x600
1500	700	MEMKPH1507	Mounting plates total height MEM 1500x700
1500	800	MEMKPH1508	Mounting plates total height MEM 1500x800
1500	900	MEMKPH1509	Mounting plates total height MEM 1500x900
1500	1000	MEMKPH1510	Mounting plates total height MEM 1500x1000
1500	1200	MEMKPH1512	Mounting plates total height MEM 1500x1200
1600	400	MEMKPH1604	Mounting plates total height MEM 1600x400
1600	500	MEMKPH1605	Mounting plates total height MEM 1600x500
1600	600	MEMKPH1606	Mounting plates total height MEM 1600x600
1600	700	MEMKPH1607	Mounting plates total height MEM 1600x700
1600	800	MEMKPH1608	Mounting plates total height MEM 1600x800
1600	900	MEMKPH1609	Mounting plates total height MEM 1600x900
1600	1000	MEMKPH1610	Mounting plates total height MEM 1600x1000
1600	1200	MEMKPH1612	Mounting plates total height MEM 1600x1200
1700	400	MEMKPH1704	Mounting plates total height MEM 1700x400
1700	500	MEMKPH1705	Mounting plates total height MEM 1700x500
1700	600	MEMKPH1706	Mounting plates total height MEM 1700x600
1700	700	MEMKPH1707	Mounting plates total height MEM 1700x700
1700	800	MEMKPH1708	Mounting plates total height MEM 1700x800
1700	900	MEMKPH1709	Mounting plates total height MEM 1700x900
1700	1000	MEMKPH1710	Mounting plates total height MEM 1700x1000
1700	1200	MEMKPH1712	Mounting plates total height MEM 1700x1200
1800	400	MEMKPH1804	Mounting plates total height MEM 1800x400
1800	500	MEMKPH1805	Mounting plates total height MEM 1800x500
1800	600	MEMKPH1806	Mounting plates total height MEM 1800x600
1800	700	MEMKPH1807	Mounting plates total height MEM 1800x700
1800	800	MEMKPH1808	Mounting plates total height MEM 1800x800





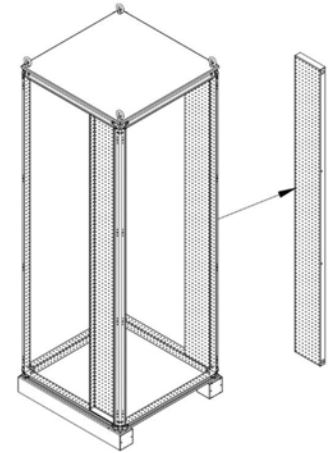
1800	900	MEMKPH1809	Mounting plates total height MEM 1800x900
1800	1000	MEMKPH1810	Mounting plates total height MEM 1800x1000
1800	1200	MEMKPH1812	Mounting plates total height MEM 1800x1200
1900	400	MEMKPH1904	Mounting plates total height MEM 1900x400
1900	500	MEMKPH1905	Mounting plates total height MEM 1900x500
1900	600	MEMKPH1906	Mounting plates total height MEM 1900x600
1900	700	MEMKPH1907	Mounting plates total height MEM 1900x700
1900	800	MEMKPH1908	Mounting plates total height MEM 1900x800
1900	900	MEMKPH1909	Mounting plates total height MEM 1900x900
1900	1000	MEMKPH1910	Mounting plates total height MEM 1900x1000
1900	1200	MEMKPH1912	Mounting plates total height MEM 1900x1200
2000	400	MEMKPH2004	Mounting plates total height MEM 2000x400
2000	500	MEMKPH2005	Mounting plates total height MEM 2000x500
2000	600	MEMKPH2006	Mounting plates total height MEM 2000x600
2000	700	MEMKPH2007	Mounting plates total height MEM 2000x700
2000	800	MEMKPH2008	Mounting plates total height MEM 2000x800
2000	900	MEMKPH2009	Mounting plates total height MEM 2000x900
2000	1000	MEMKPH2010	Mounting plates total height MEM 2000x1000
2000	1200	MEMKPH2012	Mounting plates total height MEM 2000x1200
2100	400	MEMKPH2104	Mounting plates total height MEM 2100x400
2100	500	MEMKPH2105	Mounting plates total height MEM 2100x500
2100	600	MEMKPH2106	Mounting plates total height MEM 2100x600
2100	700	MEMKPH2107	Mounting plates total height MEM 2100x700
2100	800	MEMKPH2108	Mounting plates total height MEM 2100x800
2100	900	MEMKPH2109	Mounting plates total height MEM 2100x900
2100	1000	MEMKPH2110	Mounting plates total height MEM 2100x1000
2100	1200	MEMKPH2112	Mounting plates total height MEM 2100x1200
2200	400	MEMKPH2204	Mounting plates total height MEM 2200x400
2200	500	MEMKPH2205	Mounting plates total height MEM 2200x500
2200	600	MEMKPH2206	Mounting plates total height MEM 2200x600
2200	700	MEMKPH2207	Mounting plates total height MEM 2200x700
2200	800	MEMKPH2208	Mounting plates total height MEM 2200x800
2200	900	MEMKPH2209	Mounting plates total height MEM 2200x900
2200	1000	MEMKPH2210	Mounting plates total height MEM 2200x1000
2200	1200	MEMKPH2212	Mounting plates total height MEM 2200x1200
2300	400	MEMKPH2304	Mounting plates total height MEM 2300x400
2300	500	MEMKPH2305	Mounting plates total height MEM 2300x500
2300	600	MEMKPH2306	Mounting plates total height MEM 2300x600
2300	700	MEMKPH2307	Mounting plates total height MEM 2300x700
2300	800	MEMKPH2308	Mounting plates total height MEM 2300x800
2300	900	MEMKPH2309	Mounting plates total height MEM 2300x900
2300	1000	MEMKPH2310	Mounting plates total height MEM 2300x1000
2300	1200	MEMKPH2312	Mounting plates total height MEM 2300x1200



### FUNCTIONAL FRAME – KHUNG CHỨC NĂNG

Material: 1.5mm Zam or Ecogal sheet metal  
 Package: 2pcs Functional frame

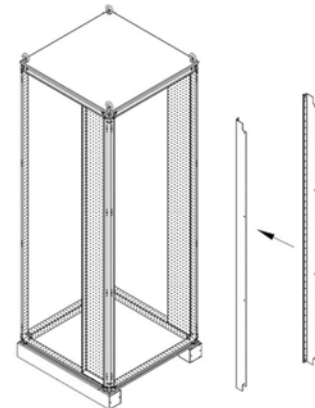
Dimensions		Description
H(mm)	Order codes	
1400	MEMKFF14	Functional frame MEM 1400
1500	MEMKFF15	Functional frame MEM 1500
1600	MEMKFF16	Functional frame MEM 1600
1700	MEMKFF17	Functional frame MEM 1700
1800	MEMKFF18	Functional frame MEM 1800
1900	MEMKFF19	Functional frame MEM 1900
2000	MEMKFF20	Functional frame MEM 2000
2100	MEMKFF21	Functional frame MEM 2100
2200	MEMKFF22	Functional frame MEM 2200
2300	MEMKFF23	Functional frame MEM 2300



### UPRIGHTS FRAME FOR PANEL – KHUNG ĐỨNG LẮP CỬA TRONG

Material: 1.5mm Zam or Ecogal sheet metal  
 Package: 2pcs Uprights fixed frame

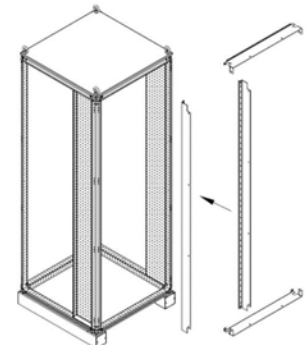
Dimensions		Description
H(mm)	Order codes	
1400	MEMKFU14	Uprights fixed frame for panels MEM 1400
1500	MEMKFU15	Uprights fixed frame for panels MEM 1500
1600	MEMKFU16	Uprights fixed frame for panels MEM 1600
1700	MEMKFU17	Uprights fixed frame for panels MEM 1700
1800	MEMKFU18	Uprights fixed frame for panels MEM 1800
1900	MEMKFU19	Uprights fixed frame for panels MEM 1900
2000	MEMKFU20	Uprights fixed frame for panels MEM 2000
2100	MEMKFU21	Uprights fixed frame for panels MEM 2100
2200	MEMKFU22	Uprights fixed frame for panels MEM 2200
2300	MEMKFU23	Uprights fixed frame for panels MEM 2300



### TOP/BOTTOM FIXED FRAME FOR INTERNAL – CHE TREN/DƯỚI CHO KHUNG

Material: 1.5mm Zam or Ecogal sheet metal  
 Package: 2pcs Top/Bottom fixed frame

Dimensions		Description
W(mm)	Order codes	
400	MEMKFT04	Top/Bottom fixed frame for internal MEM 400
500	MEMKFT05	Top/Bottom fixed frame for internal MEM 500
600	MEMKFT06	Top/Bottom fixed frame for internal MEM 600
700	MEMKFT07	Top/Bottom fixed frame for internal MEM 700
800	MEMKFT08	Top/Bottom fixed frame for internal MEM 800
900	MEMKFT09	Top/Bottom fixed frame for internal MEM 900
1000	MEMKFT10	Top/Bottom fixed frame for internal MEM 1000
1200	MEMKFT12	Top/Bottom fixed frame for internal MEM 1200

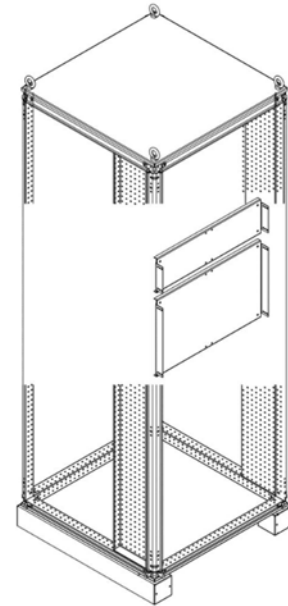


**BLIND ASSEMBLY PLATE – TẤM THIẾT BỊ RỜI**

Material: 2.0mm Lam or Ecogal sheet metal

Package: 1pcs Blind assembly plate

Dimensions		Order codes	Description
H(mm)	W(mm)		
200	400	MEMKPM2004	Blind assembly plate MEM 200x400
300	400	MEMKPM3004	Blind assembly plate MEM 300x400
400	400	MEMKPM4004	Blind assembly plate MEM 400x400
500	400	MEMKPM5004	Blind assembly plate MEM 500x400
600	400	MEMKPM6004	Blind assembly plate MEM 600x400
200	500	MEMKPM2005	Blind assembly plate MEM 200x500
300	500	MEMKPM3005	Blind assembly plate MEM 300x500
400	500	MEMKPM4005	Blind assembly plate MEM 400x500
500	500	MEMKPM5005	Blind assembly plate MEM 500x500
600	500	MEMKPM6005	Blind assembly plate MEM 600x500
200	600	MEMKPM2006	Blind assembly plate MEM 200x600
300	600	MEMKPM3006	Blind assembly plate MEM 300x600
400	600	MEMKPM4006	Blind assembly plate MEM 400x600
500	600	MEMKPM5006	Blind assembly plate MEM 500x600
600	600	MEMKPM6006	Blind assembly plate MEM 600x600
200	700	MEMKPM2007	Blind assembly plate MEM 200x700
300	700	MEMKPM3007	Blind assembly plate MEM 300x700
400	700	MEMKPM4007	Blind assembly plate MEM 400x700
500	700	MEMKPM5007	Blind assembly plate MEM 500x700
600	700	MEMKPM6007	Blind assembly plate MEM 600x700
200	800	MEMKPM2008	Blind assembly plate MEM 200x800
300	800	MEMKPM3008	Blind assembly plate MEM 300x800
400	800	MEMKPM4008	Blind assembly plate MEM 400x800
500	800	MEMKPM5008	Blind assembly plate MEM 500x800
600	800	MEMKPM6008	Blind assembly plate MEM 600x800
200	900	MEMKPM2009	Blind assembly plate MEM 200x900
300	900	MEMKPM3009	Blind assembly plate MEM 300x900
400	900	MEMKPM4009	Blind assembly plate MEM 400x900
500	900	MEMKPM5009	Blind assembly plate MEM 500x900
600	900	MEMKPM6009	Blind assembly plate MEM 600x900
200	1000	MEMKPM2010	Blind assembly plate MEM 200x1000
300	1000	MEMKPM3010	Blind assembly plate MEM 300x1000
400	1000	MEMKPM4010	Blind assembly plate MEM 400x1000
500	1000	MEMKPM5010	Blind assembly plate MEM 500x1000
600	1000	MEMKPM6010	Blind assembly plate MEM 600x1000

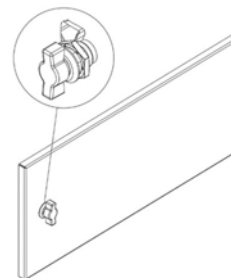


## FLAT BLIND PANEL – CỬA TRƠN TẮM THIẾT BỊ

Material: 1.5mm mild steel, painted in RAL 7035

Package: 1 pcs Flat blind panel

Dimensions		Order codes	Description
H(mm)	W(mm)		
200	400	MEMKPB2004M15	Flat blind panel MEM 200x400, steel 1.5mm
300	400	MEMKPB3004M15	Flat blind panel MEM 300x400, steel 1.5mm
400	400	MEMKPB4004M15	Flat blind panel MEM 400x400, steel 1.5mm
500	400	MEMKPB5004M15	Flat blind panel MEM 500x400, steel 1.5mm
600	400	MEMKPB6004M15	Flat blind panel MEM 600x400, steel 1.5mm
200	500	MEMKPB2005M15	Flat blind panel MEM 200x500, steel 1.5mm
300	500	MEMKPB3005M15	Flat blind panel MEM 300x500, steel 1.5mm
400	500	MEMKPB4005M15	Flat blind panel MEM 400x500, steel 1.5mm
500	500	MEMKPB5005M15	Flat blind panel MEM 500x500, steel 1.5mm
600	500	MEMKPB6005M15	Flat blind panel MEM 600x500, steel 1.5mm
200	600	MEMKPB2006M15	Flat blind panel MEM 200x600, steel 1.5mm
300	600	MEMKPB3006M15	Flat blind panel MEM 300x600, steel 1.5mm
400	600	MEMKPB4006M15	Flat blind panel MEM 400x600, steel 1.5mm
500	600	MEMKPB5006M15	Flat blind panel MEM 500x600, steel 1.5mm
600	600	MEMKPB6006M15	Flat blind panel MEM 600x600, steel 1.5mm
200	700	MEMKPB2007M15	Flat blind panel MEM 200x700, steel 1.5mm
300	700	MEMKPB3007M15	Flat blind panel MEM 300x700, steel 1.5mm
400	700	MEMKPB4007M15	Flat blind panel MEM 400x700, steel 1.5mm
500	700	MEMKPB5007M15	Flat blind panel MEM 500x700, steel 1.5mm
600	700	MEMKPB6007M15	Flat blind panel MEM 600x700, steel 1.5mm
200	800	MEMKPB2008M15	Flat blind panel MEM 200x800, steel 1.5mm
300	800	MEMKPB3008M15	Flat blind panel MEM 300x800, steel 1.5mm
400	800	MEMKPB4008M15	Flat blind panel MEM 400x800, steel 1.5mm
500	800	MEMKPB5008M15	Flat blind panel MEM 500x800, steel 1.5mm
600	800	MEMKPB6008M15	Flat blind panel MEM 600x800, steel 1.5mm
200	900	MEMKPB2009M15	Flat blind panel MEM 200x900, steel 1.5mm
300	900	MEMKPB3009M15	Flat blind panel MEM 300x900, steel 1.5mm
400	900	MEMKPB4009M15	Flat blind panel MEM 400x900, steel 1.5mm
500	900	MEMKPB5009M15	Flat blind panel MEM 500x900, steel 1.5mm
600	900	MEMKPB6009M15	Flat blind panel MEM 600x900, steel 1.5mm
200	1000	MEMKPB2010M15	Flat blind panel MEM 200x1000, steel 1.5mm
300	1000	MEMKPB3010M15	Flat blind panel MEM 300x1000, steel 1.5mm
400	1000	MEMKPB4010M15	Flat blind panel MEM 400x1000, steel 1.5mm
500	1000	MEMKPB5010M15	Flat blind panel MEM 500x1000, steel 1.5mm
600	1000	MEMKPB6010M15	Flat blind panel MEM 600x1000, steel 1.5mm

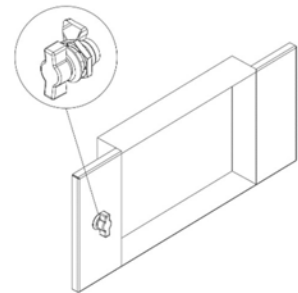


## RECESSED BLIND PANEL – CỬA ÂM TẮM THIẾT BỊ

Material: 1.5mm mild steel, painted in RAL 7035

Package: 1 pcs Recessed blind panel

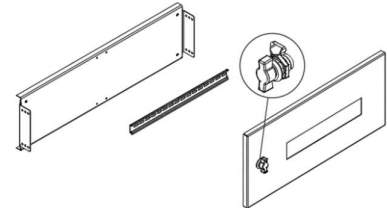
Dimensions		Order codes	Description
H(mm)	W(mm)		
200	400	MEMKPR2004M15	Recessed blind panel MEM 200x400, steel 1.5mm
300	400	MEMKPR3004M15	Recessed blind panel MEM 300x400, steel 1.5mm
400	400	MEMKPR4004M15	Recessed blind panel MEM 400x400, steel 1.5mm
200	500	MEMKPR2005M15	Recessed blind panel MEM 200x500, steel 1.5mm
300	500	MEMKPR3005M15	Recessed blind panel MEM 300x500, steel 1.5mm
400	500	MEMKPR4005M15	Recessed blind panel MEM 400x500, steel 1.5mm
200	600	MEMKPR2006M15	Recessed blind panel MEM 200x600, steel 1.5mm
300	600	MEMKPR3006M15	Recessed blind panel MEM 300x600, steel 1.5mm
400	600	MEMKPR4006M15	Recessed blind panel MEM 400x600, steel 1.5mm
200	700	MEMKPR2007M15	Recessed blind panel MEM 200x700, steel 1.5mm
300	700	MEMKPR3007M15	Recessed blind panel MEM 300x700, steel 1.5mm
400	700	MEMKPR4007M15	Recessed blind panel MEM 400x700, steel 1.5mm
200	800	MEMKPR2008M15	Recessed blind panel MEM 200x800, steel 1.5mm
300	800	MEMKPR3008M15	Recessed blind panel MEM 300x800, steel 1.5mm
400	800	MEMKPR4008M15	Recessed blind panel MEM 400x800, steel 1.5mm
200	900	MEMKPR2009M15	Recessed blind panel MEM 200x900, steel 1.5mm
300	900	MEMKPR3009M15	Recessed blind panel MEM 300x900, steel 1.5mm
400	900	MEMKPR4009M15	Recessed blind panel MEM 400x900, steel 1.5mm
200	1000	MEMKPR2010M15	Recessed blind panel MEM 200x1000, steel 1.5mm
300	1000	MEMKPR3010M15	Recessed blind panel MEM 300x1000, steel 1.5mm
400	1000	MEMKPR4010M15	Recessed blind panel MEM 400x1000, steel 1.5mm



### KIT FOR DIN RAIL – KÍT LẮP DIN RAIL

Material: 2.0mm Zam or Ecogal sheet metal  
 Package: 1pcs Kits for DIN rail

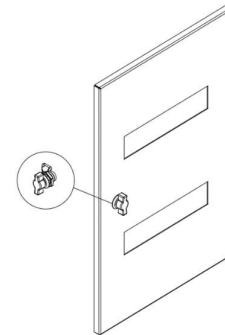
Dimensions		Order codes	Description
W(mm)			
400		MEMKDK04	Kits for DIN rail MEM 400
500		MEMKDK05	Kits for DIN rail MEM 500
600		MEMKDK06	Kits for DIN rail MEM 600
700		MEMKDK07	Kits for DIN rail MEM 700
800		MEMKDK08	Kits for DIN rail MEM 800
900		MEMKDK09	Kits for DIN rail MEM 900
1000		MEMKDK10	Kits for DIN rail MEM 1000
1200		MEMKDK12	Kits for DIN rail MEM 1200



### PANEL FOR DIN RAIL – CỬA DIN RAIL

Material: 1.5mm mild steel, painted in RAL 7035  
 Package: 1 pcs Panel for DIN rail

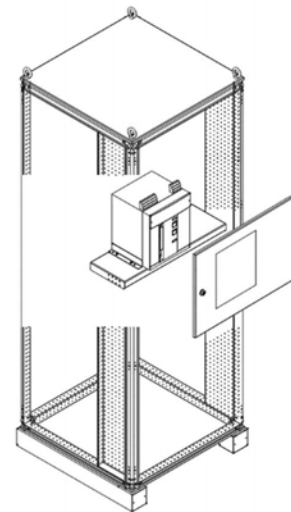
Dimensions		Order codes	Description
H(mm)	W(mm)		
200	400	MEMKDP2004M15	Panel for DIN rail MEM 200 400, steel 1.5mm
200	500	MEMKDP2005M15	Panel for DIN rail MEM 200 500, steel 1.5mm
200	600	MEMKDP2006M15	Panel for DIN rail MEM 200 600, steel 1.5mm
200	700	MEMKDP2007M15	Panel for DIN rail MEM 200 700, steel 1.5mm
200	800	MEMKDP2008M15	Panel for DIN rail MEM 200 800, steel 1.5mm
200	900	MEMKDP2009M15	Panel for DIN rail MEM 200 900, steel 1.5mm
200	1000	MEMKDP2010M15	Panel for DIN rail MEM 200 1000, steel 1.5mm



### KITS FOR ACB INSTALLATION – KÍT LẮP ACB

Material: 2.0mm Zam or Ecogal sheet metal  
 Package: 1pcs Kit for installing ACB

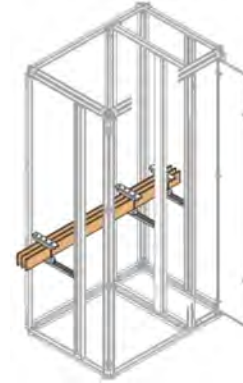
Dimensions		Order codes	Description
H(mm)	W(mm)		
400	600	MEMKAK06	Kit for installing ACB W600
500	700	MEMKAK07	Kit for installing ACB W700
600	800	MEMKAK08	Kit for installing ACB W800
600	900	MEMKAK09	Kit for installing ACB W900
700	1000	MEMKAK10	Kit for installing ACB W1000
700	1200	MEMKAK12	Kit for installing ACB W1200



### UPRIGHTS SUPPORT FOR FIXING BUSBAR – GIÁ ĐỠ THANH CÁI ĐỨNG

Material: 2.0mm Zam or Ecogal sheet metal  
 Package: 1pcs Uprights support for fixing busbar

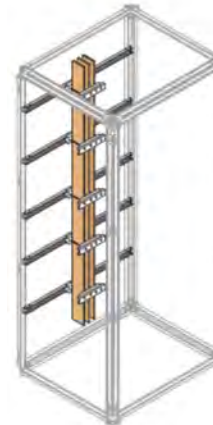
Dimensions		Description
H(mm)	Order codes	
1400	MEMEBU14	Uprights support for fixing busbar holder MEM 1400
1500	MEMEBU15	Uprights support for fixing busbar holder MEM 1500
1600	MEMEBU16	Uprights support for fixing busbar holder MEM 1600
1700	MEMEBU17	Uprights support for fixing busbar holder MEM 1700
1800	MEMEBU18	Uprights support for fixing busbar holder MEM 1800
1900	MEMEBU19	Uprights support for fixing busbar holder MEM 1900
2000	MEMEBU20	Uprights support for fixing busbar holder MEM 2000
2100	MEMEBU21	Uprights support for fixing busbar holder MEM 2100
2200	MEMEBU22	Uprights support for fixing busbar holder MEM 2200
2300	MEMEBU23	Uprights support for fixing busbar holder MEM 2300



### WIDTH SUPPORT FOR FIXING BUSBAR – GIÁ ĐỠ THANH CÁI NGANG

Material: 2.0mm Zam or Ecogal sheet metal  
 Package: 1pcs Width support for fixing busbar

Dimensions		Description
W(mm)	Order codes	
300	MEMEBW03	Width support for fixing busbar holder MEM 300
400	MEMEBW04	Width support for fixing busbar holder MEM 400
500	MEMEBW05	Width support for fixing busbar holder MEM 500
600	MEMEBW06	Width support for fixing busbar holder MEM 600
700	MEMEBW07	Width support for fixing busbar holder MEM 700
800	MEMEBW08	Width support for fixing busbar holder MEM 800
900	MEMEBW09	Width support for fixing busbar holder MEM 900
1000	MEMEBW10	Width support for fixing busbar holder MEM 1000
1200	MEMEBW12	Width support for fixing busbar holder MEM 1200



### DEPTH SUPPORT FOR FIXING BUSBAR – GIÁ ĐỠ THANH CÁI SÂU

Material: 2.0mm Zam or Ecogal sheet metal  
 Package: 1pcs Depth support for fixing busbar

Dimensions		Description
D(mm)	Order codes	
400	MEMEBD04	Depth support for fixing busbar holder MEM 400
500	MEMEBD05	Depth support for fixing busbar holder MEM 500
600	MEMEBD06	Depth support for fixing busbar holder MEM 600
700	MEMEBD07	Depth support for fixing busbar holder MEM 700
800	MEMEBD08	Depth support for fixing busbar holder MEM 800
900	MEMEBD09	Depth support for fixing busbar holder MEM 900
1000	MEMEBD10	Depth support for fixing busbar holder MEM 1000
1200	MEMEBD12	Depth support for fixing busbar holder MEM 1200







# SEGREGATION

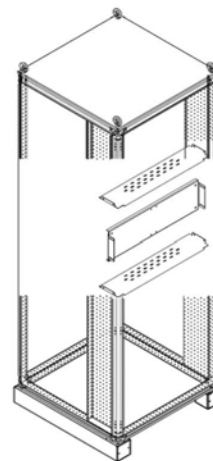
## VÁCH NGĂN

1	Horizontal segregation compartment	Vách che ngang khung thiết bị	42
2	Front segregation compartment	Tấm che mặt trước khung thiết bị	42
3	Vertical segregation of terminals	Tấm ngăn đầu cực đứng	43
4	Horizontal segregation of terminals	Tấm ngăn đầu cực ngang	44
5	Segregation for the Air circuit-breaker	Vách ngăn máy cắt ACB	46
6	Air circuit-breaker terminal separator	Tấm ngăn đầu cực ACB	46
7	Horizontal busbar segregation	Vách che ngang busbar	47
8	Front/Rear busbar segregations	Vách che trước/sau busbar	48
9	Front/Rear segregation for structure	Vách che trước/sau khung tủ	49
10	Side segregation for structure	Tấm che hông khung tủ	50

## HORIZONTAL SEGREGATION COMPARTMENT – TẦM CHE NGANG KHUNG THIẾT BỊ

Material: 1.2mm Zam or Ecogal sheet metal  
 Package: 1pcs Horizontal segregation compartment

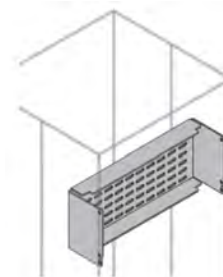
Dimensions		Order codes	Description
W(mm)			
400		MEMSCH04	Horizontal segregation compartment MEM 400
500		MEMSCH05	Horizontal segregation compartment MEM 500
600		MEMSCH06	Horizontal segregation compartment MEM 600
700		MEMSCH07	Horizontal segregation compartment MEM 700
800		MEMSCH08	Horizontal segregation compartment MEM 800
900		MEMSCH09	Horizontal segregation compartment MEM 900
1000		MEMSCH10	Horizontal segregation compartment MEM 1000
1200		MEMSCH12	Horizontal segregation compartment MEM 1200



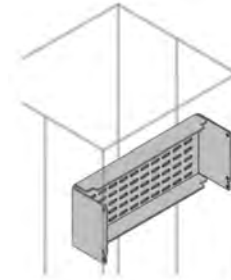
## FRONT SEGREGATION COMPARTMENT – TẦM CHE TRƯỚC KHUNG THIẾT BỊ

Material: 1.2mm Zam or Ecogal sheet metal  
 Package: 1pcs Front segregation compartment

Dimensions		Order codes	Description
H(mm)	W(mm)		
200	400	MEMSCF0204	Front segregation compartment 200x400
200	500	MEMSCF0205	Front segregation compartment 200x500
200	600	MEMSCF0206	Front segregation compartment 200x600
200	700	MEMSCF0207	Front segregation compartment 200x700
200	800	MEMSCF0208	Front segregation compartment 200x800
200	900	MEMSCF0209	Front segregation compartment 200x900
200	1000	MEMSCF0210	Front segregation compartment 200x1000
200	1200	MEMSCF0212	Front segregation compartment 200x1200
300	400	MEMSCF0304	Front segregation compartment 300x400
300	500	MEMSCF0305	Front segregation compartment 300x500
300	600	MEMSCF0306	Front segregation compartment 300x600
300	700	MEMSCF0307	Front segregation compartment 300x700
300	800	MEMSCF0308	Front segregation compartment 300x800
300	900	MEMSCF0309	Front segregation compartment 300x900
300	1000	MEMSCF0310	Front segregation compartment 300x1000
300	1200	MEMSCF0312	Front segregation compartment 300x1200
400	400	MEMSCF0404	Front segregation compartment 400x400
400	500	MEMSCF0405	Front segregation compartment 400x500
400	600	MEMSCF0406	Front segregation compartment 400x600
400	700	MEMSCF0407	Front segregation compartment 400x700
400	800	MEMSCF0408	Front segregation compartment 400x800
400	900	MEMSCF0409	Front segregation compartment 400x900



400	1000	MEMSCF0410	Front segregation compartment 400x1000
400	1200	MEMSCF0412	Front segregation compartment 400x1200
500	400	MEMSCF0504	Front segregation compartment 500x400
500	500	MEMSCF0505	Front segregation compartment 500x500
500	600	MEMSCF0506	Front segregation compartment 500x600
500	700	MEMSCF0507	Front segregation compartment 500x700
500	800	MEMSCF0508	Front segregation compartment 500x800
500	900	MEMSCF0509	Front segregation compartment 500x900
500	1000	MEMSCF0510	Front segregation compartment 500x1000
500	1200	MEMSCF0512	Front segregation compartment 500x1200
600	400	MEMSCF0604	Front segregation compartment 600x400
600	500	MEMSCF0605	Front segregation compartment 600x500
600	600	MEMSCF0606	Front segregation compartment 600x600
600	700	MEMSCF0607	Front segregation compartment 600x700
600	800	MEMSCF0608	Front segregation compartment 600x800
600	900	MEMSCF0609	Front segregation compartment 600x900
600	1000	MEMSCF0610	Front segregation compartment 600x1000
600	1200	MEMSCF0612	Front segregation compartment 600x1200

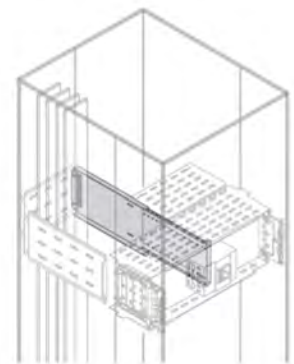


## VERTICAL SEGREGATION OF TERMINAL – TẮM NGĂN ĐẦU CỤC ĐỨNG

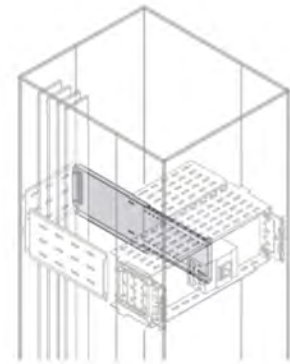
Material: 1.2mm Zam or Ecogal sheet metal

Package: 1pcs Vertical segregation of terminals

Dimensions		Order codes	Description
H(mm)	D(mm)		
200	400	MEMSTV0204	Vertical segregation of terminals 200x400
200	500	MEMSTV0205	Vertical segregation of terminals 200x500
200	600	MEMSTV0206	Vertical segregation of terminals 200x600
200	700	MEMSTV0207	Vertical segregation of terminals 200x700
200	800	MEMSTV0208	Vertical segregation of terminals 200x800
200	900	MEMSTV0209	Vertical segregation of terminals 200x900
200	1000	MEMSTV0210	Vertical segregation of terminals 200x1000
200	1200	MEMSTV0212	Vertical segregation of terminals 200x1200
300	400	MEMSTV0304	Vertical segregation of terminals 300x400
300	500	MEMSTV0305	Vertical segregation of terminals 300x500
300	600	MEMSTV0306	Vertical segregation of terminals 300x600
300	700	MEMSTV0307	Vertical segregation of terminals 300x700
300	800	MEMSTV0308	Vertical segregation of terminals 300x800
300	900	MEMSTV0309	Vertical segregation of terminals 300x900
300	1000	MEMSTV0310	Vertical segregation of terminals 300x1000
300	1200	MEMSTV0312	Vertical segregation of terminals 300x1200
400	400	MEMSTV0404	Vertical segregation of terminals 400x400
400	500	MEMSTV0405	Vertical segregation of terminals 400x500
400	600	MEMSTV0406	Vertical segregation of terminals 400x600
400	700	MEMSTV0407	Vertical segregation of terminals 400x700
400	800	MEMSTV0408	Vertical segregation of terminals 400x800



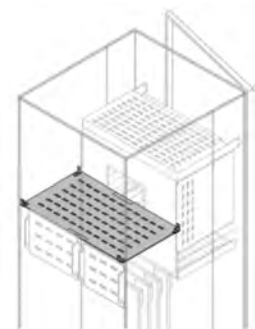
400	900	MEMSTV0409	Vertical segregation of terminals 400x900
400	1000	MEMSTV0410	Vertical segregation of terminals 400x1000
400	1200	MEMSTV0412	Vertical segregation of terminals 400x1200
500	400	MEMSTV0504	Vertical segregation of terminals 500x400
500	500	MEMSTV0505	Vertical segregation of terminals 500x500
500	600	MEMSTV0506	Vertical segregation of terminals 500x600
500	700	MEMSTV0507	Vertical segregation of terminals 500x700
500	800	MEMSTV0508	Vertical segregation of terminals 500x800
500	900	MEMSTV0509	Vertical segregation of terminals 500x900
500	1000	MEMSTV0510	Vertical segregation of terminals 500x1000
500	1200	MEMSTV0512	Vertical segregation of terminals 500x1200
600	400	MEMSTV0604	Vertical segregation of terminals 600x400
600	500	MEMSTV0605	Vertical segregation of terminals 600x500
600	600	MEMSTV0606	Vertical segregation of terminals 600x600
600	700	MEMSTV0607	Vertical segregation of terminals 600x700
600	800	MEMSTV0608	Vertical segregation of terminals 600x800
600	900	MEMSTV0609	Vertical segregation of terminals 600x900
600	1000	MEMSTV0610	Vertical segregation of terminals 600x1000
600	1200	MEMSTV0612	Vertical segregation of terminals 600x1200



## HORIZONTAL SEGREGATION OF TERMINAL – TẤM NGẮN ĐẦU CỰC NGANG

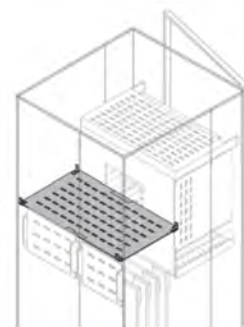
Material: 1.2mm Zam or Ecogal sheet metal  
 Package: 1pcs Horizontal segregation of terminals

Dimensions		Order codes	Description
W(mm)	D(mm)		
400	400	MEMSTH0404	Horizontal segregation of terminals 400x400
400	500	MEMSTH0405	Horizontal segregation of terminals 400x500
400	600	MEMSTH0406	Horizontal segregation of terminals 400x600
400	700	MEMSTH0407	Horizontal segregation of terminals 400x700
400	800	MEMSTH0408	Horizontal segregation of terminals 400x800
400	900	MEMSTH0409	Horizontal segregation of terminals 400x900
400	1000	MEMSTH0410	Horizontal segregation of terminals 400x1000
400	1200	MEMSTH0412	Horizontal segregation of terminals 400x1200
500	400	MEMSTH0504	Horizontal segregation of terminals 500x400
500	500	MEMSTH0505	Horizontal segregation of terminals 500x500
500	600	MEMSTH0506	Horizontal segregation of terminals 500x600
500	700	MEMSTH0507	Horizontal segregation of terminals 500x700
500	800	MEMSTH0508	Horizontal segregation of terminals 500x800
500	900	MEMSTH0509	Horizontal segregation of terminals 500x900
500	1000	MEMSTH0510	Horizontal segregation of terminals 500x1000
500	1200	MEMSTH0512	Horizontal segregation of terminals 500x1200
600	400	MEMSTH0604	Horizontal segregation of terminals 600x400
600	500	MEMSTH0605	Horizontal segregation of terminals 600x500





600	600	MEMSTH0606	Horizontal segregation of terminals 600x600
600	700	MEMSTH0607	Horizontal segregation of terminals 600x700
600	800	MEMSTH0608	Horizontal segregation of terminals 600x800
600	900	MEMSTH0609	Horizontal segregation of terminals 600x900
600	1000	MEMSTH0610	Horizontal segregation of terminals 600x1000
600	1200	MEMSTH0612	Horizontal segregation of terminals 600x1200
700	400	MEMSTH0704	Horizontal segregation of terminals 700x400
700	500	MEMSTH0705	Horizontal segregation of terminals 700x500
700	600	MEMSTH0706	Horizontal segregation of terminals 700x600
700	700	MEMSTH0707	Horizontal segregation of terminals 700x700
700	800	MEMSTH0708	Horizontal segregation of terminals 700x800
700	900	MEMSTH0709	Horizontal segregation of terminals 700x900
700	1000	MEMSTH0710	Horizontal segregation of terminals 700x1000
700	1200	MEMSTH0712	Horizontal segregation of terminals 700x1200
800	400	MEMSTH0804	Horizontal segregation of terminals 800x400
800	500	MEMSTH0805	Horizontal segregation of terminals 800x500
800	600	MEMSTH0806	Horizontal segregation of terminals 800x600
800	700	MEMSTH0807	Horizontal segregation of terminals 800x700
800	800	MEMSTH0808	Horizontal segregation of terminals 800x800
800	900	MEMSTH0809	Horizontal segregation of terminals 800x900
800	1000	MEMSTH0810	Horizontal segregation of terminals 800x1000
800	1200	MEMSTH0812	Horizontal segregation of terminals 800x1200
900	400	MEMSTH0904	Horizontal segregation of terminals 900x400
900	500	MEMSTH0905	Horizontal segregation of terminals 900x500
900	600	MEMSTH0906	Horizontal segregation of terminals 900x600
900	700	MEMSTH0907	Horizontal segregation of terminals 900x700
900	800	MEMSTH0908	Horizontal segregation of terminals 900x800
900	900	MEMSTH0909	Horizontal segregation of terminals 900x900
900	1000	MEMSTH0910	Horizontal segregation of terminals 900x1000
900	1200	MEMSTH0912	Horizontal segregation of terminals 900x1200
1000	400	MEMSTH1004	Horizontal segregation of terminals 1000x400
1000	500	MEMSTH1005	Horizontal segregation of terminals 1000x500
1000	600	MEMSTH1006	Horizontal segregation of terminals 1000x600
1000	700	MEMSTH1007	Horizontal segregation of terminals 1000x700
1000	800	MEMSTH1008	Horizontal segregation of terminals 1000x800
1000	900	MEMSTH1009	Horizontal segregation of terminals 1000x900
1000	1000	MEMSTH1010	Horizontal segregation of terminals 1000x1000
1000	1200	MEMSTH1012	Horizontal segregation of terminals 1000x1200

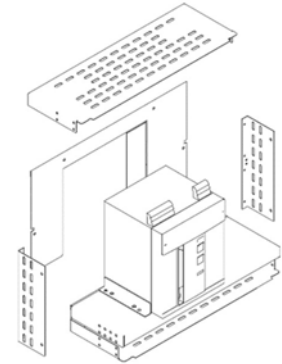


## SEGREGATION FOR ACB – VÁCH NGĂN CHO ACB

Material: 1.2mm Zam or Ecogal sheet metal

Package: 1pcs Segregation for ACB

Dimensions			Order codes	Description
H(mm)	W(mm)	D(mm)		
383	250	130	MEMSCAF13P	Segregation for ACB Frame 1 3P 630-1600
383	322	221	MEMSCAF14P	Segregation for ACB Frame 1 4P 630-1600
500	400	221	MEMSCAF23P	Segregation for ACB Frame 2 3P 800-2500
500	490	221	MEMSCAF24P	Segregation for ACB Frame 2 4P 800-2500
500	500	221	MEMSCAF43P	Segregation for ACB Frame 4 3P 2000-4000
500	600	221	MEMSCAF44P	Segregation for ACB Frame 4 4P 2000-4000
500	900	221	MEMSCAF63P	Segregation for ACB Frame 6 3P 4000-6300
500	1000	221	MEMSCAF64P	Segregation for ACB Frame 6 4P 4000-6300
500	1200	221	MEMSCAF64PF	Segregation for ACB Frame 6 4P 4000-6300 Full N

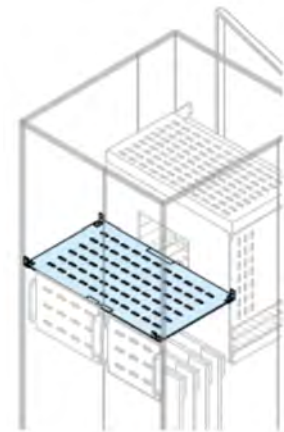


## ACB TERMINAL SEPARATOR – TẮM NGĂN ĐẦU CỰC ACB

Material: 1.2mm Zam or Ecogal sheet metal

Package: 1pcs Air circuit-breaker terminal separator

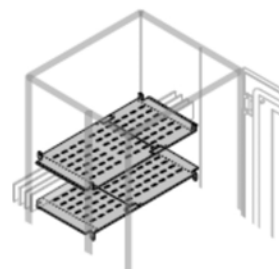
Dimensions		Order codes	Description
W(mm)	D(mm)		
600	600	MEMSTA0606	Air circuit-breaker terminal separator 600x600
600	700	MEMSTA0607	Air circuit-breaker terminal separator 600x700
600	800	MEMSTA0608	Air circuit-breaker terminal separator 600x800
600	900	MEMSTA0609	Air circuit-breaker terminal separator 600x900
600	1000	MEMSTA0610	Air circuit-breaker terminal separator 600x1000
600	1200	MEMSTA0612	Air circuit-breaker terminal separator 600x1200
800	600	MEMSTA0806	Air circuit-breaker terminal separator 800x600
800	700	MEMSTA0807	Air circuit-breaker terminal separator 800x700
800	800	MEMSTA0808	Air circuit-breaker terminal separator 800x800
800	900	MEMSTA0809	Air circuit-breaker terminal separator 800x900
800	1000	MEMSTA0810	Air circuit-breaker terminal separator 800x1000
800	1200	MEMSTA0812	Air circuit-breaker terminal separator 800x1200
1000	600	MEMSTA1006	Air circuit-breaker terminal separator 1000x600
1000	700	MEMSTA1007	Air circuit-breaker terminal separator 1000x700
1000	800	MEMSTA1008	Air circuit-breaker terminal separator 1000x800
1000	900	MEMSTA1009	Air circuit-breaker terminal separator 1000x900
1000	1000	MEMSTA1010	Air circuit-breaker terminal separator 1000x1000
1000	1200	MEMSTA1012	Air circuit-breaker terminal separator 1000x1200
1200	600	MEMSTA1206	Air circuit-breaker terminal separator 1200x600
1200	700	MEMSTA1207	Air circuit-breaker terminal separator 1200x700
1200	800	MEMSTA1208	Air circuit-breaker terminal separator 1200x800
1200	900	MEMSTA1209	Air circuit-breaker terminal separator 1200x900
1200	1000	MEMSTA1210	Air circuit-breaker terminal separator 1200x1000
1200	1200	MEMSTA1212	Air circuit-breaker terminal separator 1200x1200



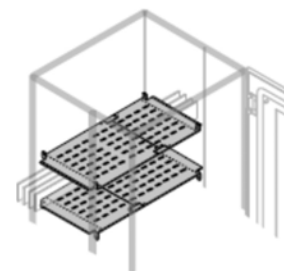
## HORIZONTAL BUSBAR SEGREGATION – VÁCH CHE NGANG BUSBAR

Material: 1.2mm Zam or Ecogal sheet metal  
 Package: 1pcs Horizontal busbar segregation

Dimensions		Order codes	Description
W(mm)	D(mm)		
300	400	MEMSBH0304	Horizontal busbar segregation 300x400
300	500	MEMSBH0305	Horizontal busbar segregation 300x500
300	600	MEMSBH0306	Horizontal busbar segregation 300x600
300	700	MEMSBH0307	Horizontal busbar segregation 300x700
300	800	MEMSBH0308	Horizontal busbar segregation 300x800
300	900	MEMSBH0309	Horizontal busbar segregation 300x900
300	1000	MEMSBH0310	Horizontal busbar segregation 300x1000
300	1200	MEMSBH0312	Horizontal busbar segregation 300x1200
400	400	MEMSBH0404	Horizontal busbar segregation 400x400
400	500	MEMSBH0405	Horizontal busbar segregation 400x500
400	600	MEMSBH0406	Horizontal busbar segregation 400x600
400	700	MEMSBH0407	Horizontal busbar segregation 400x700
400	800	MEMSBH0408	Horizontal busbar segregation 400x800
400	900	MEMSBH0409	Horizontal busbar segregation 400x900
400	1000	MEMSBH0410	Horizontal busbar segregation 400x1000
400	1200	MEMSBH0412	Horizontal busbar segregation 400x1200
500	400	MEMSBH0504	Horizontal busbar segregation 500x400
500	500	MEMSBH0505	Horizontal busbar segregation 500x500
500	600	MEMSBH0506	Horizontal busbar segregation 500x600
500	700	MEMSBH0507	Horizontal busbar segregation 500x700
500	800	MEMSBH0508	Horizontal busbar segregation 500x800
500	900	MEMSBH0509	Horizontal busbar segregation 500x900
500	1000	MEMSBH0510	Horizontal busbar segregation 500x1000
500	1200	MEMSBH0512	Horizontal busbar segregation 500x1200
600	400	MEMSBH0604	Horizontal busbar segregation 600x400
600	500	MEMSBH0605	Horizontal busbar segregation 600x500
600	600	MEMSBH0606	Horizontal busbar segregation 600x600
600	700	MEMSBH0607	Horizontal busbar segregation 600x700
600	800	MEMSBH0608	Horizontal busbar segregation 600x800
600	900	MEMSBH0609	Horizontal busbar segregation 600x900
600	1000	MEMSBH0610	Horizontal busbar segregation 600x1000
600	1200	MEMSBH0612	Horizontal busbar segregation 600x1200
700	400	MEMSBH0704	Horizontal busbar segregation 700x400
700	500	MEMSBH0705	Horizontal busbar segregation 700x500
700	600	MEMSBH0706	Horizontal busbar segregation 700x600
700	700	MEMSBH0707	Horizontal busbar segregation 700x700
700	800	MEMSBH0708	Horizontal busbar segregation 700x800
700	900	MEMSBH0709	Horizontal busbar segregation 700x900
700	1000	MEMSBH0710	Horizontal busbar segregation 700x1000
700	1200	MEMSBH0712	Horizontal busbar segregation 700x1200



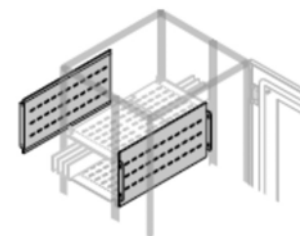
800	400	MEMSBH0804	Horizontal busbar segregation 800x400
800	500	MEMSBH0805	Horizontal busbar segregation 800x500
800	600	MEMSBH0806	Horizontal busbar segregation 800x600
800	700	MEMSBH0807	Horizontal busbar segregation 800x700
800	800	MEMSBH0808	Horizontal busbar segregation 800x800
800	900	MEMSBH0809	Horizontal busbar segregation 800x900
800	1000	MEMSBH0810	Horizontal busbar segregation 800x1000
800	1200	MEMSBH0812	Horizontal busbar segregation 800x1200
900	400	MEMSBH0904	Horizontal busbar segregation 900x400
900	500	MEMSBH0905	Horizontal busbar segregation 900x500
900	600	MEMSBH0906	Horizontal busbar segregation 900x600
900	700	MEMSBH0907	Horizontal busbar segregation 900x700
900	800	MEMSBH0908	Horizontal busbar segregation 900x800
900	900	MEMSBH0909	Horizontal busbar segregation 900x900
900	1000	MEMSBH0910	Horizontal busbar segregation 900x1000
900	1200	MEMSBH0912	Horizontal busbar segregation 900x1200
1000	400	MEMSBH1004	Horizontal busbar segregation 1000x400
1000	500	MEMSBH1005	Horizontal busbar segregation 1000x500
1000	600	MEMSBH1006	Horizontal busbar segregation 1000x600
1000	700	MEMSBH1007	Horizontal busbar segregation 1000x700
1000	800	MEMSBH1008	Horizontal busbar segregation 1000x800
1000	900	MEMSBH1009	Horizontal busbar segregation 1000x900
1000	1000	MEMSBH1010	Horizontal busbar segregation 1000x1000
1000	1200	MEMSBH1012	Horizontal busbar segregation 1000x1200
1200	400	MEMSBH1204	Horizontal busbar segregation 1200x400
1200	500	MEMSBH1205	Horizontal busbar segregation 1200x500
1200	600	MEMSBH1206	Horizontal busbar segregation 1200x600
1200	700	MEMSBH1207	Horizontal busbar segregation 1200x700
1200	800	MEMSBH1208	Horizontal busbar segregation 1200x800
1200	900	MEMSBH1209	Horizontal busbar segregation 1200x900
1200	1000	MEMSBH1210	Horizontal busbar segregation 1200x1000
1200	1200	MEMSBH1212	Horizontal busbar segregation 1200x1200



### FRONT/REAR BUSBAR SEGREGATION – VÁCH CHE TRƯỚC/SAU BUSBAR

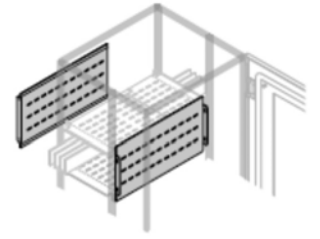
Material: 1.2mm Zam or Ecogal sheet metal  
 Package: 1pcs Front/Rear busbar segregation

Dimensions		Order codes	Description
H(mm)	W(mm)		
200	300	MEMSBF0203	Front/Rear busbar segregation 200x300
200	400	MEMSBF0204	Front/Rear busbar segregation 200x400
200	500	MEMSBF0205	Front/Rear busbar segregation 200x500
200	600	MEMSBF0206	Front/Rear busbar segregation 200x600
200	700	MEMSBF0207	Front/Rear busbar segregation 200x700
200	800	MEMSBF0208	Front/Rear busbar segregation 200x800
200	900	MEMSBF0209	Front/Rear busbar segregation 200x900
200	1000	MEMSBF0210	Front/Rear busbar segregation 200x1000





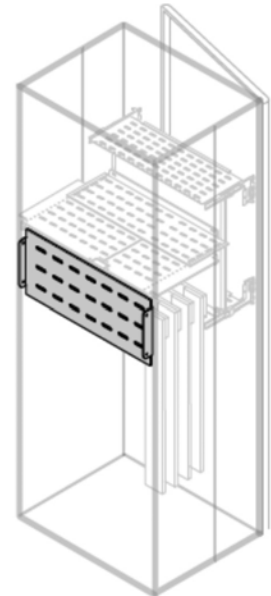
200	1200	MEMSBF0212	Front/Rear busbar segregation 200x1200
300	300	MEMSBF0303	Front/Rear busbar segregation 300x300
300	400	MEMSBF0304	Front/Rear busbar segregation 300x400
300	500	MEMSBF0305	Front/Rear busbar segregation 300x500
300	600	MEMSBF0306	Front/Rear busbar segregation 300x600
300	700	MEMSBF0307	Front/Rear busbar segregation 300x700
300	800	MEMSBF0308	Front/Rear busbar segregation 300x800
300	900	MEMSBF0309	Front/Rear busbar segregation 300x900
300	1000	MEMSBF0310	Front/Rear busbar segregation 300x1000
300	1200	MEMSBF0312	Front/Rear busbar segregation 300x1200



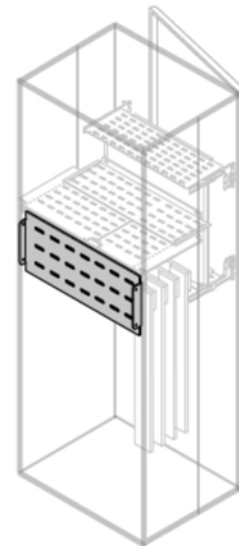
### FRONT/REAR SEGREGATION FOR STRUCTURE – VÁCH CHE TRƯỚC/SAU KHUNG

Material: 1.2mm Zam or Ecogal sheet metal  
 Package: 1pcs Side/Rear segregation for structure

Dimensions		Order codes	Description
H(mm)	W(mm)		
100	300	MEMSFR0103	Front/Rear segregation for structure 100x300
100	400	MEMSFR0104	Front/Rear segregation for structure 100x400
100	500	MEMSFR0105	Front/Rear segregation for structure 100x500
100	600	MEMSFR0106	Front/Rear segregation for structure 100x600
100	700	MEMSFR0107	Front/Rear segregation for structure 100x700
100	800	MEMSFR0108	Front/Rear segregation for structure 100x800
200	300	MEMSFR0203	Front/Rear segregation for structure 200x300
200	400	MEMSFR0204	Front/Rear segregation for structure 200x400
200	500	MEMSFR0205	Front/Rear segregation for structure 200x500
200	600	MEMSFR0206	Front/Rear segregation for structure 200x600
200	700	MEMSFR0207	Front/Rear segregation for structure 200x700
200	800	MEMSFR0208	Front/Rear segregation for structure 200x800
200	900	MEMSFR0209	Front/Rear segregation for structure 200x900
200	1000	MEMSFR0210	Front/Rear segregation for structure 200x1000
200	1200	MEMSFR0212	Front/Rear segregation for structure 200x1200
300	300	MEMSFR0303	Front/Rear segregation for structure 300x300
300	400	MEMSFR0304	Front/Rear segregation for structure 300x400
300	500	MEMSFR0305	Front/Rear segregation for structure 300x500
300	600	MEMSFR0306	Front/Rear segregation for structure 300x600
300	700	MEMSFR0307	Front/Rear segregation for structure 300x700
300	800	MEMSFR0308	Front/Rear segregation for structure 300x800
300	900	MEMSFR0309	Front/Rear segregation for structure 300x900
300	1000	MEMSFR0310	Front/Rear segregation for structure 300x1000
300	1200	MEMSFR0312	Front/Rear segregation for structure 300x1200
400	300	MEMSFR0403	Front/Rear segregation for structure 400x300
400	400	MEMSFR0404	Front/Rear segregation for structure 400x400
400	500	MEMSFR0405	Front/Rear segregation for structure 400x500
400	600	MEMSFR0406	Front/Rear segregation for structure 400x600
400	700	MEMSFR0407	Front/Rear segregation for structure 400x700



400	800	MEMSFR0408	Front/Rear segregation for structure 400x800
400	900	MEMSFR0409	Front/Rear segregation for structure 400x900
400	1000	MEMSFR0410	Front/Rear segregation for structure 400x1000
400	1200	MEMSFR0412	Front/Rear segregation for structure 400x1200
600	300	MEMSFR0603	Front/Rear segregation for structure 600x300
600	400	MEMSFR0604	Front/Rear segregation for structure 600x400
600	500	MEMSFR0605	Front/Rear segregation for structure 600x500
600	600	MEMSFR0606	Front/Rear segregation for structure 600x600
600	700	MEMSFR0607	Front/Rear segregation for structure 600x700
600	800	MEMSFR0608	Front/Rear segregation for structure 600x800
600	900	MEMSFR0609	Front/Rear segregation for structure 600x900
600	1000	MEMSFR0610	Front/Rear segregation for structure 600x1000
600	1200	MEMSFR0612	Front/Rear segregation for structure 600x1200

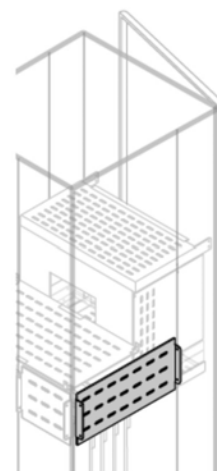


### SIDE SEGREGATION FOR STRUCTURE – VÁCH CHE HÔNG KHUNG

Material: 1.2mm Zam or Ecogal sheet metal

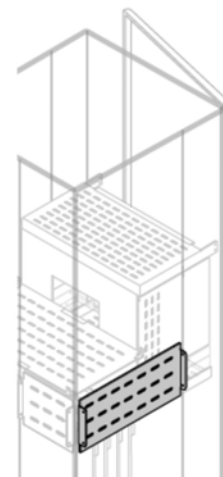
Package: 1pcs Side segregation for structure

Dimensions		Order codes	Description
H(mm)	D(mm)		
100	300	MEMSSF0103	Side frame segregation for structure 100x300
100	400	MEMSSF0104	Side frame segregation for structure 100x400
100	500	MEMSSF0105	Side frame segregation for structure 100x500
100	600	MEMSSF0106	Side frame segregation for structure 100x600
100	700	MEMSSF0107	Side frame segregation for structure 100x700
100	800	MEMSSF0108	Side frame segregation for structure 100x800
200	300	MEMSSF0203	Side frame segregation for structure 200x300
200	400	MEMSSF0204	Side frame segregation for structure 200x400
200	500	MEMSSF0205	Side frame segregation for structure 200x500
200	600	MEMSSF0206	Side frame segregation for structure 200x600
200	700	MEMSSF0207	Side frame segregation for structure 200x700
200	800	MEMSSF0208	Side frame segregation for structure 200x800
200	900	MEMSSF0209	Side frame segregation for structure 200x900
200	1000	MEMSSF0210	Side frame segregation for structure 200x1000
200	1200	MEMSSF0212	Side frame segregation for structure 200x1200
300	300	MEMSSF0303	Side frame segregation for structure 300x300
300	400	MEMSSF0304	Side frame segregation for structure 300x400
300	500	MEMSSF0305	Side frame segregation for structure 300x500
300	600	MEMSSF0306	Side frame segregation for structure 300x600
300	700	MEMSSF0307	Side frame segregation for structure 300x700
300	800	MEMSSF0308	Side frame segregation for structure 300x800
300	900	MEMSSF0309	Side frame segregation for structure 300x900
300	1000	MEMSSF0310	Side frame segregation for structure 300x1000
300	1200	MEMSSF0312	Side frame segregation for structure 300x1200
400	300	MEMSSF0403	Side frame segregation for structure 400x300





400	400	MEMSSF0404	Side frame segregation for structure 400x400
400	500	MEMSSF0405	Side frame segregation for structure 400x500
400	600	MEMSSF0406	Side frame segregation for structure 400x600
400	700	MEMSSF0407	Side frame segregation for structure 400x700
400	800	MEMSSF0408	Side frame segregation for structure 400x800
400	900	MEMSSF0409	Side frame segregation for structure 400x900
400	1000	MEMSSF0410	Side frame segregation for structure 400x1000
400	1200	MEMSSF0412	Side frame segregation for structure 400x1200
600	300	MEMSSF0603	Side frame segregation for structure 600x300
600	400	MEMSSF0604	Side frame segregation for structure 600x400
600	500	MEMSSF0605	Side frame segregation for structure 600x500
600	600	MEMSSF0606	Side frame segregation for structure 600x600
600	700	MEMSSF0607	Side frame segregation for structure 600x700
600	800	MEMSSF0608	Side frame segregation for structure 600x800
600	900	MEMSSF0609	Side frame segregation for structure 600x900
600	1000	MEMSSF0610	Side frame segregation for structure 600x1000
600	1200	MEMSSF0612	Side frame segregation for structure 600x1200





**QUALITY**  
**EFFICIENCY**  
**PROFESSIONAL**



**CÔNG TY CỔ PHẦN KỸ THUẬT CƠ ĐIỆN MEE**

MEE MECHANICAL ELECTRICAL ENGINEERING JSC

Lô HT-E10-6-9, Đường số 19, Khu công nghiệp Hiệp Phước, Xã Hiệp Phước, Huyện Nhà Bè, TP. Hồ Chí Minh, Việt Nam  
Mã số thuế: 0310439936

Lot HT-E10-6-9, Road 19, Hiep Phuoc Industrial Park, Hiep Phuoc Commune, Nha Be Dist., Ho Chi Minh City, Vietnam  
Tax code: 0310439936

[www.mee.com.vn](http://www.mee.com.vn)

+84 938 848 788

[info@mee.com.vn](mailto:info@mee.com.vn)