

MEI MODULAR ENCLOSURES

TỦ ĐIỆN LOẠI MODULAR MEI



CÔNG TY CỔ PHẦN KỸ THUẬT CƠ ĐIỆN MEE
MEE MECHANICAL ELECTRICAL ENGINEERING JSC

www.mee.com.vn



CONTENTS

NỘI DUNG

1	Introduction	Giới thiệu	3
2	Main characteristics	Các đặc điểm chính	4
3	Customized directly in the factory	Tùy chỉnh trực tiếp trong nhà máy	4
4	Dimensions of MEI serial	Kích thước của tủ điện MEI	5
5	Structures of enclosure	Cấu trúc của tủ điện	6
6	Internal kits	Kit lắp bên trong	27
7	Segregation of enclosure	Vách ngăn tủ điện	35

INTRODUCTION

GIỚI THIỆU

MEE provides electrical enclosures for automation and distribution with the MEI series. MEI is a modular enclosures with IP protection up to IP65 that can be installed indoors and outdoors.

The MEI are suitable for making switchboards, electrical automation, control and operation panel boards, with the possibility of constructing cabinets side by side to control complex industrial plants. They are suitable for floor mounting with the possibility of lateral and rear access and adjustment of the backplate position.



MEE cung cấp tủ điện cho tự động hóa và phân phối điện với dòng sản phẩm MEI. MEI là loại tủ mô-đun lắp ghép có cấp bảo vệ đến IP65, có thể lắp đặt trong nhà và ngoài trời. Các tủ điện MEI phù hợp để chế tạo các tủ phân phối, tủ cho tự động hóa và tủ điều khiển, với khả năng xây dựng các tủ cạnh nhau để kiểm soát các nhà máy công nghiệp phức tạp. Chúng thích hợp cho việc gắn kết với khả năng truy cập trên/dưới và phía sau, dễ dàng điều chỉnh vị trí tấm thiết bị.

Main characteristics - Các đặc điểm chính

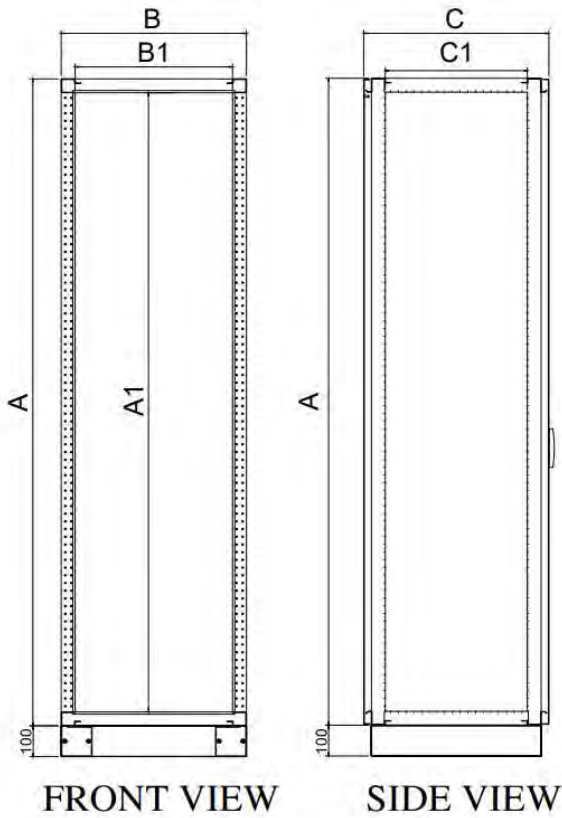
Standard <i>Tiêu chuẩn</i>	Conformity with the Standard IEC 61439-1-2 <i>Phù hợp với tiêu chuẩn IEC 61439-1-2</i>
Rated service voltage Ue <i>Điện áp định mức Ue</i>	up to 1000V AC - 1500V DC <i>Đến 1000V AC - 1500V DC</i>
Rated insulation voltage Ui <i>Điện áp cách điện Ui</i>	up to 1000V AC - 1500V DC <i>Đến 1000V AC - 1500V DC</i>
Rated frequency <i>Tần số định mức</i>	50-60 Hz <i>50-60 Hz</i>
Rated impulse withstand voltage Uimp <i>Điện áp xung chịu được</i>	12kV <i>12kV</i>
Rated current In <i>Dòng điện định mức In</i>	up to 6300A <i>Đến 6300A</i>
Rated short-time withstand current Icw <i>Dòng điện ngắn mạch chịu được Icw</i>	up to 120kA <i>up to 120kA</i>
IP protection class <i>Cấp bảo vệ IP</i>	IP30, IP31, IP40, IP41, IP43, IP54 <i>IP30, IP31, IP40, IP41, IP43, IP54</i>
Segregation Form <i>Form tủ</i>	up to form 4b <i>Đến form 4b</i>
Overall dimensions <i>Kích thước ngoài</i>	
Height (mm) <i>Cao (mm)</i>	1800, 1900, 2000, 2100, 2200mm
Width (mm) <i>Rộng (mm)</i>	400, 500, 600, 700, 800, 900, 1000, 1200mm
Depth (mm) <i>Sâu (mm)</i>	400, 500, 600, 700, 800, 900, 1000, 1200mm

CUSTOMIZED ENCLOSURES is MEE's service for cabinets metal structures, which, on request, are supplied painted, drilled and, where necessary, assembled according to the customer's specific requirements.

DỊCH VỤ TÙY CHỈNH THEO KHÁCH HÀNG là dịch vụ của MEE sản xuất, gia công tủ điện theo yêu cầu của khách hàng. Màu sơn theo yêu cầu, Cắt và đục lỗ theo bản vẽ, lắp ráp theo yêu cầu cụ thể của khách hàng.



Dimensions of MEI serial
Kích thước của tủ điện MEI



Height (mm)

H	A	A1
1800	1800	1710
1900	1900	1810
2000	2000	1910
2100	2100	2010
2200	2200	2110

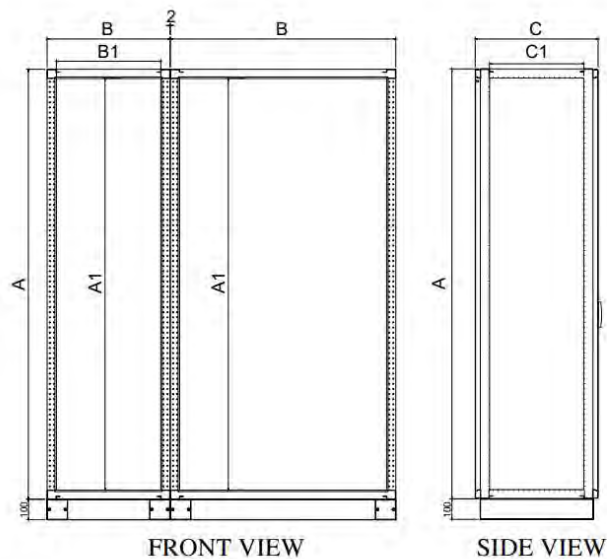
Width (mm)

W	B	B1
400	398	308
500	498	408
600	598	508
700	698	608
800	798	708
900	898	808
1000	998	908
1200	1198	1108

Depth (mm)

D	D1	D2
400	350	260
500	450	360
600	550	460
700	650	560
800	750	660
900	850	760
1000	950	860
1200	1150	1060

Overall dimensions for several adjacent structures
Kích thước tổng thể cho ghép một số modular





STRUCTURES

CẤU TRÚC

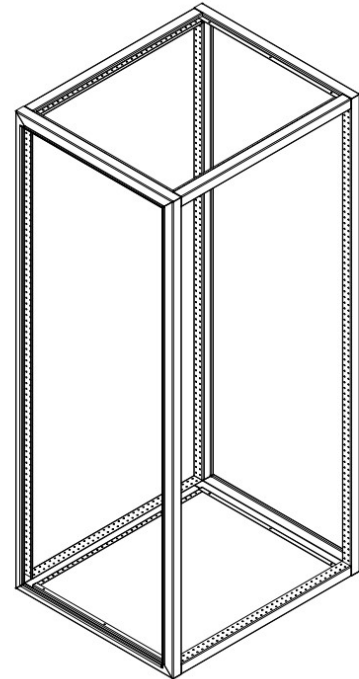
1	MEI frame	Khung tủ MEI	7
2	Plinths	Chân đế	13
3	Top/Bottom	Nóc/Đáy	14
4	Rear panel	Tấm lưng	20
5	Side panel	Tấm hông	22
6	Blind single door	Cửa đơn trơn	24
7	Blind double door	Cửa đôi trơn	25
8	Glass door	Cửa kính	25
9	Door accessories	Phụ kiện cửa	26
10	Pocket for A4 documents	Ngăn hồ sơ A4	26
11	Eyebolts for lifting	Móc cầu	26

**MEI FRAME - KHUNG TỦ MEI**

Material: mild steel 2.0mm, painted in RAL 7035

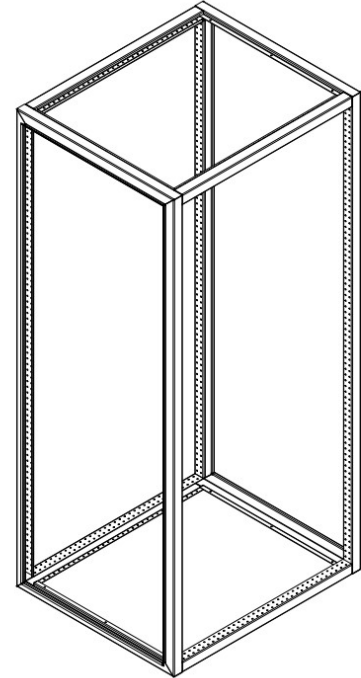
Package: 1 pcs frame

Dimensions			Order codes	Description
H(mm)	W(mm)	D(mm)		
1800	400	400	MEIF180404	MEI Frame 1800x400x400
1800	500	400	MEIF180504	MEI Frame 1800x500x400
1800	600	400	MEIF180604	MEI Frame 1800x600x400
1800	700	400	MEIF180704	MEI Frame 1800x700x400
1800	800	400	MEIF180804	MEI Frame 1800x800x400
1800	900	400	MEIF180904	MEI Frame 1800x900x400
1800	1000	400	MEIF181004	MEI Frame 1800x1000x400
1800	1200	400	MEIF181204	MEI Frame 1800x1200x400
1800	400	500	MEIF180405	MEI Frame 1800x400x500
1800	500	500	MEIF180505	MEI Frame 1800x500x500
1800	600	500	MEIF180605	MEI Frame 1800x600x500
1800	700	500	MEIF180705	MEI Frame 1800x700x500
1800	800	500	MEIF180805	MEI Frame 1800x800x500
1800	900	500	MEIF180905	MEI Frame 1800x900x500
1800	1000	500	MEIF181005	MEI Frame 1800x1000x500
1800	1200	500	MEIF181205	MEI Frame 1800x1200x500
1800	400	600	MEIF180406	MEI Frame 1800x400x600
1800	500	600	MEIF180506	MEI Frame 1800x500x600
1800	600	600	MEIF180606	MEI Frame 1800x600x600
1800	700	600	MEIF180706	MEI Frame 1800x700x600
1800	800	600	MEIF180806	MEI Frame 1800x800x600
1800	900	600	MEIF180906	MEI Frame 1800x900x600
1800	1000	600	MEIF181006	MEI Frame 1800x1000x600
1800	1200	600	MEIF181206	MEI Frame 1800x1200x600
1800	400	700	MEIF180407	MEI Frame 1800x400x700
1800	500	700	MEIF180507	MEI Frame 1800x500x700
1800	600	700	MEIF180607	MEI Frame 1800x600x700
1800	700	700	MEIF180707	MEI Frame 1800x700x700
1800	800	700	MEIF180807	MEI Frame 1800x800x700
1800	900	700	MEIF180907	MEI Frame 1800x900x700
1800	1000	700	MEIF181007	MEI Frame 1800x1000x700
1800	1200	700	MEIF181207	MEI Frame 1800x1200x700
1800	400	800	MEIF180408	MEI Frame 1800x400x800
1800	500	800	MEIF180508	MEI Frame 1800x500x800
1800	600	800	MEIF180608	MEI Frame 1800x600x800
1800	700	800	MEIF180708	MEI Frame 1800x700x800
1800	800	800	MEIF180808	MEI Frame 1800x800x800
1800	900	800	MEIF180908	MEI Frame 1800x900x800
1800	1000	800	MEIF181008	MEI Frame 1800x1000x800
1800	1200	800	MEIF181208	MEI Frame 1800x1200x800
1800	400	900	MEIF180409	MEI Frame 1800x400x900
1800	500	900	MEIF180509	MEI Frame 1800x500x900
1800	600	900	MEIF180609	MEI Frame 1800x600x900
1800	700	900	MEIF180709	MEI Frame 1800x700x900
1800	800	900	MEIF180809	MEI Frame 1800x800x900
1800	900	900	MEIF180909	MEI Frame 1800x900x900
1800	1000	900	MEIF181009	MEI Frame 1800x1000x900
1800	1200	900	MEIF181209	MEI Frame 1800x1200x900
1800	400	1000	MEIF180410	MEI Frame 1800x400x1000



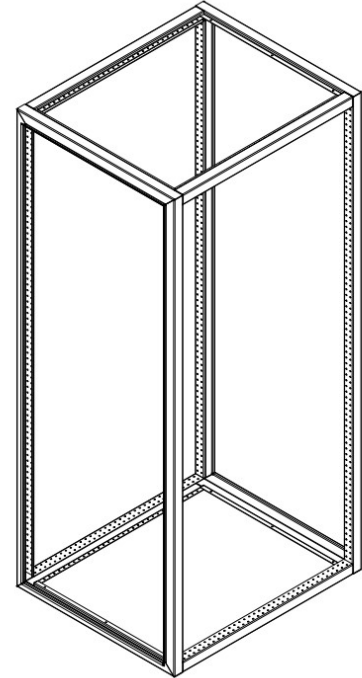


1800	500	1000	MEIF180510	MEI Frame 1800x500x1000
1800	600	1000	MEIF180610	MEI Frame 1800x600x1000
1800	700	1000	MEIF180710	MEI Frame 1800x700x1000
1800	800	1000	MEIF180810	MEI Frame 1800x800x1000
1800	900	1000	MEIF180910	MEI Frame 1800x900x1000
1800	1000	1000	MEIF181010	MEI Frame 1800x1000x1000
1800	1200	1000	MEIF181210	MEI Frame 1800x1200x1000
1800	400	1200	MEIF180412	MEI Frame 1800x400x1200
1800	500	1200	MEIF180512	MEI Frame 1800x500x1200
1800	600	1200	MEIF180612	MEI Frame 1800x600x1200
1800	700	1200	MEIF180712	MEI Frame 1800x700x1200
1800	800	1200	MEIF180812	MEI Frame 1800x800x1200
1800	900	1200	MEIF180912	MEI Frame 1800x900x1200
1800	1000	1200	MEIF181012	MEI Frame 1800x1000x1200
1800	1200	1200	MEIF181212	MEI Frame 1800x1200x1200
1900	400	400	MEIF190404	MEI Frame 1900x400x400
1900	500	400	MEIF190504	MEI Frame 1900x500x400
1900	600	400	MEIF190604	MEI Frame 1900x600x400
1900	700	400	MEIF190704	MEI Frame 1900x700x400
1900	800	400	MEIF190804	MEI Frame 1900x800x400
1900	900	400	MEIF190904	MEI Frame 1900x900x400
1900	1000	400	MEIF191004	MEI Frame 1900x1000x400
1900	1200	400	MEIF191204	MEI Frame 1900x1200x400
1900	400	500	MEIF190405	MEI Frame 1900x400x500
1900	500	500	MEIF190505	MEI Frame 1900x500x500
1900	600	500	MEIF190605	MEI Frame 1900x600x500
1900	700	500	MEIF190705	MEI Frame 1900x700x500
1900	800	500	MEIF190805	MEI Frame 1900x800x500
1900	900	500	MEIF190905	MEI Frame 1900x900x500
1900	1000	500	MEIF191005	MEI Frame 1900x1000x500
1900	1200	500	MEIF191205	MEI Frame 1900x1200x500
1900	400	600	MEIF190406	MEI Frame 1900x400x600
1900	500	600	MEIF190506	MEI Frame 1900x500x600
1900	600	600	MEIF190606	MEI Frame 1900x600x600
1900	700	600	MEIF190706	MEI Frame 1900x700x600
1900	800	600	MEIF190806	MEI Frame 1900x800x600
1900	900	600	MEIF190906	MEI Frame 1900x900x600
1900	1000	600	MEIF191006	MEI Frame 1900x1000x600
1900	1200	600	MEIF191206	MEI Frame 1900x1200x600
1900	400	700	MEIF190407	MEI Frame 1900x400x700
1900	500	700	MEIF190507	MEI Frame 1900x500x700
1900	600	700	MEIF190607	MEI Frame 1900x600x700
1900	700	700	MEIF190707	MEI Frame 1900x700x700
1900	800	700	MEIF190807	MEI Frame 1900x800x700
1900	900	700	MEIF190907	MEI Frame 1900x900x700
1900	1000	700	MEIF191007	MEI Frame 1900x1000x700
1900	1200	700	MEIF191207	MEI Frame 1900x1200x700
1900	400	800	MEIF190408	MEI Frame 1900x400x800
1900	500	800	MEIF190508	MEI Frame 1900x500x800
1900	600	800	MEIF190608	MEI Frame 1900x600x800
1900	700	800	MEIF190708	MEI Frame 1900x700x800
1900	800	800	MEIF190808	MEI Frame 1900x800x800
1900	900	800	MEIF190908	MEI Frame 1900x900x800
1900	1000	800	MEIF191008	MEI Frame 1900x1000x800
1900	1200	800	MEIF191208	MEI Frame 1900x1200x800
1900	400	900	MEIF190409	MEI Frame 1900x400x900
1900	500	900	MEIF190509	MEI Frame 1900x500x900
1900	600	900	MEIF190609	MEI Frame 1900x600x900



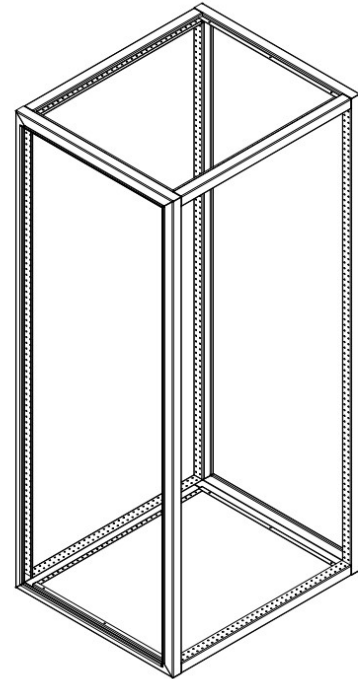


1900	700	900	MEIF190709	MEI Frame 1900x700x900
1900	800	900	MEIF190809	MEI Frame 1900x800x900
1900	900	900	MEIF190909	MEI Frame 1900x900x900
1900	1000	900	MEIF191009	MEI Frame 1900x1000x900
1900	1200	900	MEIF191209	MEI Frame 1900x1200x900
1900	400	1000	MEIF190410	MEI Frame 1900x400x1000
1900	500	1000	MEIF190510	MEI Frame 1900x500x1000
1900	600	1000	MEIF190610	MEI Frame 1900x600x1000
1900	700	1000	MEIF190710	MEI Frame 1900x700x1000
1900	800	1000	MEIF190810	MEI Frame 1900x800x1000
1900	900	1000	MEIF190910	MEI Frame 1900x900x1000
1900	1000	1000	MEIF191010	MEI Frame 1900x1000x1000
1900	1200	1000	MEIF191210	MEI Frame 1900x1200x1000
1900	400	1200	MEIF190412	MEI Frame 1900x400x1200
1900	500	1200	MEIF190512	MEI Frame 1900x500x1200
1900	600	1200	MEIF190612	MEI Frame 1900x600x1200
1900	700	1200	MEIF190712	MEI Frame 1900x700x1200
1900	800	1200	MEIF190812	MEI Frame 1900x800x1200
1900	900	1200	MEIF190912	MEI Frame 1900x900x1200
1900	1000	1200	MEIF191012	MEI Frame 1900x1000x1200
1900	1200	1200	MEIF191212	MEI Frame 1900x1200x1200
2000	400	400	MEIF200404	MEI Frame 2000x400x400
2000	500	400	MEIF200504	MEI Frame 2000x500x400
2000	600	400	MEIF200604	MEI Frame 2000x600x400
2000	700	400	MEIF200704	MEI Frame 2000x700x400
2000	800	400	MEIF200804	MEI Frame 2000x800x400
2000	900	400	MEIF200904	MEI Frame 2000x900x400
2000	1000	400	MEIF201004	MEI Frame 2000x1000x400
2000	1200	400	MEIF201204	MEI Frame 2000x1200x400
2000	400	500	MEIF200405	MEI Frame 2000x400x500
2000	500	500	MEIF200505	MEI Frame 2000x500x500
2000	600	500	MEIF200605	MEI Frame 2000x600x500
2000	700	500	MEIF200705	MEI Frame 2000x700x500
2000	800	500	MEIF200805	MEI Frame 2000x800x500
2000	900	500	MEIF200905	MEI Frame 2000x900x500
2000	1000	500	MEIF201005	MEI Frame 2000x1000x500
2000	1200	500	MEIF201205	MEI Frame 2000x1200x500
2000	400	600	MEIF200406	MEI Frame 2000x400x600
2000	500	600	MEIF200506	MEI Frame 2000x500x600
2000	600	600	MEIF200606	MEI Frame 2000x600x600
2000	700	600	MEIF200706	MEI Frame 2000x700x600
2000	800	600	MEIF200806	MEI Frame 2000x800x600
2000	900	600	MEIF200906	MEI Frame 2000x900x600
2000	1000	600	MEIF201006	MEI Frame 2000x1000x600
2000	1200	600	MEIF201206	MEI Frame 2000x1200x600
2000	400	700	MEIF200407	MEI Frame 2000x400x700
2000	500	700	MEIF200507	MEI Frame 2000x500x700
2000	600	700	MEIF200607	MEI Frame 2000x600x700
2000	700	700	MEIF200707	MEI Frame 2000x700x700
2000	800	700	MEIF200807	MEI Frame 2000x800x700
2000	900	700	MEIF200907	MEI Frame 2000x900x700
2000	1000	700	MEIF201007	MEI Frame 2000x1000x700
2000	1200	700	MEIF201207	MEI Frame 2000x1200x700
2000	400	800	MEIF200408	MEI Frame 2000x400x800
2000	500	800	MEIF200508	MEI Frame 2000x500x800
2000	600	800	MEIF200608	MEI Frame 2000x600x800
2000	700	800	MEIF200708	MEI Frame 2000x700x800
2000	800	800	MEIF200808	MEI Frame 2000x800x800



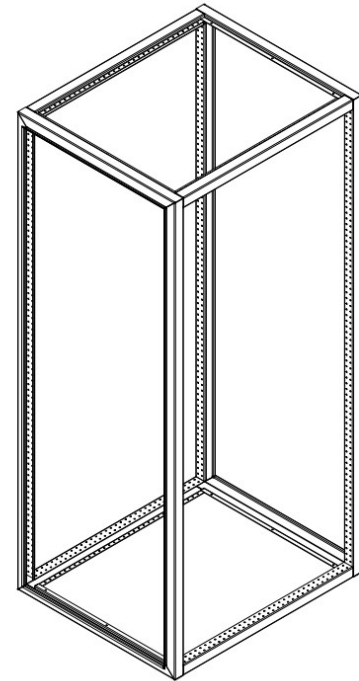


2000	900	800	MEIF200908	MEI Frame 2000x900x800
2000	1000	800	MEIF201008	MEI Frame 2000x1000x800
2000	1200	800	MEIF201208	MEI Frame 2000x1200x800
2000	400	900	MEIF200409	MEI Frame 2000x400x900
2000	500	900	MEIF200509	MEI Frame 2000x500x900
2000	600	900	MEIF200609	MEI Frame 2000x600x900
2000	700	900	MEIF200709	MEI Frame 2000x700x900
2000	800	900	MEIF200809	MEI Frame 2000x800x900
2000	900	900	MEIF200909	MEI Frame 2000x900x900
2000	1000	900	MEIF201009	MEI Frame 2000x1000x900
2000	1200	900	MEIF201209	MEI Frame 2000x1200x900
2000	400	1000	MEIF200410	MEI Frame 2000x400x1000
2000	500	1000	MEIF200510	MEI Frame 2000x500x1000
2000	600	1000	MEIF200610	MEI Frame 2000x600x1000
2000	700	1000	MEIF200710	MEI Frame 2000x700x1000
2000	800	1000	MEIF200810	MEI Frame 2000x800x1000
2000	900	1000	MEIF200910	MEI Frame 2000x900x1000
2000	1000	1000	MEIF201010	MEI Frame 2000x1000x1000
2000	1200	1000	MEIF201210	MEI Frame 2000x1200x1000
2000	400	1200	MEIF200412	MEI Frame 2000x400x1200
2000	500	1200	MEIF200512	MEI Frame 2000x500x1200
2000	600	1200	MEIF200612	MEI Frame 2000x600x1200
2000	700	1200	MEIF200712	MEI Frame 2000x700x1200
2000	800	1200	MEIF200812	MEI Frame 2000x800x1200
2000	900	1200	MEIF200912	MEI Frame 2000x900x1200
2000	1000	1200	MEIF201012	MEI Frame 2000x1000x1200
2000	1200	1200	MEIF201212	MEI Frame 2000x1200x1200
2100	400	400	MEIF210404	MEI Frame 2100x400x400
2100	500	400	MEIF210504	MEI Frame 2100x500x400
2100	600	400	MEIF210604	MEI Frame 2100x600x400
2100	700	400	MEIF210704	MEI Frame 2100x700x400
2100	800	400	MEIF210804	MEI Frame 2100x800x400
2100	900	400	MEIF210904	MEI Frame 2100x900x400
2100	1000	400	MEIF211004	MEI Frame 2100x1000x400
2100	1200	400	MEIF211204	MEI Frame 2100x1200x400
2100	400	500	MEIF210405	MEI Frame 2100x400x500
2100	500	500	MEIF210505	MEI Frame 2100x500x500
2100	600	500	MEIF210605	MEI Frame 2100x600x500
2100	700	500	MEIF210705	MEI Frame 2100x700x500
2100	800	500	MEIF210805	MEI Frame 2100x800x500
2100	900	500	MEIF210905	MEI Frame 2100x900x500
2100	1000	500	MEIF211005	MEI Frame 2100x1000x500
2100	1200	500	MEIF211205	MEI Frame 2100x1200x500
2100	400	600	MEIF210406	MEI Frame 2100x400x600
2100	500	600	MEIF210506	MEI Frame 2100x500x600
2100	600	600	MEIF210606	MEI Frame 2100x600x600
2100	700	600	MEIF210706	MEI Frame 2100x700x600
2100	800	600	MEIF210806	MEI Frame 2100x800x600
2100	900	600	MEIF210906	MEI Frame 2100x900x600
2100	1000	600	MEIF211006	MEI Frame 2100x1000x600
2100	1200	600	MEIF211206	MEI Frame 2100x1200x600
2100	400	700	MEIF210407	MEI Frame 2100x400x700
2100	500	700	MEIF210507	MEI Frame 2100x500x700
2100	600	700	MEIF210607	MEI Frame 2100x600x700
2100	700	700	MEIF210707	MEI Frame 2100x700x700
2100	800	700	MEIF210807	MEI Frame 2100x800x700
2100	900	700	MEIF210907	MEI Frame 2100x900x700
2100	1000	700	MEIF211007	MEI Frame 2100x1000x700



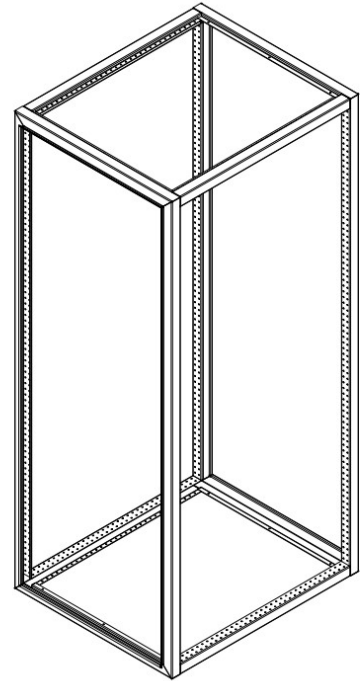


2100	1200	700	MEIF211207	MEI Frame 2100x1200x700
2100	400	800	MEIF210408	MEI Frame 2100x400x800
2100	500	800	MEIF210508	MEI Frame 2100x500x800
2100	600	800	MEIF210608	MEI Frame 2100x600x800
2100	700	800	MEIF210708	MEI Frame 2100x700x800
2100	800	800	MEIF210808	MEI Frame 2100x800x800
2100	900	800	MEIF210908	MEI Frame 2100x900x800
2100	1000	800	MEIF211008	MEI Frame 2100x1000x800
2100	1200	800	MEIF211208	MEI Frame 2100x1200x800
2100	400	900	MEIF210409	MEI Frame 2100x400x900
2100	500	900	MEIF210509	MEI Frame 2100x500x900
2100	600	900	MEIF210609	MEI Frame 2100x600x900
2100	700	900	MEIF210709	MEI Frame 2100x700x900
2100	800	900	MEIF210809	MEI Frame 2100x800x900
2100	900	900	MEIF210909	MEI Frame 2100x900x900
2100	1000	900	MEIF211009	MEI Frame 2100x1000x900
2100	1200	900	MEIF211209	MEI Frame 2100x1200x900
2100	400	1000	MEIF210410	MEI Frame 2100x400x1000
2100	500	1000	MEIF210510	MEI Frame 2100x500x1000
2100	600	1000	MEIF210610	MEI Frame 2100x600x1000
2100	700	1000	MEIF210710	MEI Frame 2100x700x1000
2100	800	1000	MEIF210810	MEI Frame 2100x800x1000
2100	900	1000	MEIF210910	MEI Frame 2100x900x1000
2100	1000	1000	MEIF211010	MEI Frame 2100x1000x1000
2100	1200	1000	MEIF211210	MEI Frame 2100x1200x1000
2100	400	1200	MEIF210412	MEI Frame 2100x400x1200
2100	500	1200	MEIF210512	MEI Frame 2100x500x1200
2100	600	1200	MEIF210612	MEI Frame 2100x600x1200
2100	700	1200	MEIF210712	MEI Frame 2100x700x1200
2100	800	1200	MEIF210812	MEI Frame 2100x800x1200
2100	900	1200	MEIF210912	MEI Frame 2100x900x1200
2100	1000	1200	MEIF211012	MEI Frame 2100x1000x1200
2100	1200	1200	MEIF211212	MEI Frame 2100x1200x1200
2200	400	400	MEIF220404	MEI Frame 2200x400x400
2200	500	400	MEIF220504	MEI Frame 2200x500x400
2200	600	400	MEIF220604	MEI Frame 2200x600x400
2200	700	400	MEIF220704	MEI Frame 2200x700x400
2200	800	400	MEIF220804	MEI Frame 2200x800x400
2200	900	400	MEIF220904	MEI Frame 2200x900x400
2200	1000	400	MEIF221004	MEI Frame 2200x1000x400
2200	1200	400	MEIF221204	MEI Frame 2200x1200x400
2200	400	500	MEIF220405	MEI Frame 2200x400x500
2200	500	500	MEIF220505	MEI Frame 2200x500x500
2200	600	500	MEIF220605	MEI Frame 2200x600x500
2200	700	500	MEIF220705	MEI Frame 2200x700x500
2200	800	500	MEIF220805	MEI Frame 2200x800x500
2200	900	500	MEIF220905	MEI Frame 2200x900x500
2200	1000	500	MEIF221005	MEI Frame 2200x1000x500
2200	1200	500	MEIF221205	MEI Frame 2200x1200x500
2200	400	600	MEIF220406	MEI Frame 2200x400x600
2200	500	600	MEIF220506	MEI Frame 2200x500x600
2200	600	600	MEIF220606	MEI Frame 2200x600x600
2200	700	600	MEIF220706	MEI Frame 2200x700x600
2200	800	600	MEIF220806	MEI Frame 2200x800x600
2200	900	600	MEIF220906	MEI Frame 2200x900x600
2200	1000	600	MEIF221006	MEI Frame 2200x1000x600
2200	1200	600	MEIF221206	MEI Frame 2200x1200x600
2200	400	700	MEIF220407	MEI Frame 2200x400x700





2200	500	700	MEIF220507	MEI Frame 2200x500x700
2200	600	700	MEIF220607	MEI Frame 2200x600x700
2200	700	700	MEIF220707	MEI Frame 2200x700x700
2200	800	700	MEIF220807	MEI Frame 2200x800x700
2200	900	700	MEIF220907	MEI Frame 2200x900x700
2200	1000	700	MEIF221007	MEI Frame 2200x1000x700
2200	1200	700	MEIF221207	MEI Frame 2200x1200x700
2200	400	800	MEIF220408	MEI Frame 2200x400x800
2200	500	800	MEIF220508	MEI Frame 2200x500x800
2200	600	800	MEIF220608	MEI Frame 2200x600x800
2200	700	800	MEIF220708	MEI Frame 2200x700x800
2200	800	800	MEIF220808	MEI Frame 2200x800x800
2200	900	800	MEIF220908	MEI Frame 2200x900x800
2200	1000	800	MEIF221008	MEI Frame 2200x1000x800
2200	1200	800	MEIF221208	MEI Frame 2200x1200x800
2200	400	900	MEIF220409	MEI Frame 2200x400x900
2200	500	900	MEIF220509	MEI Frame 2200x500x900
2200	600	900	MEIF220609	MEI Frame 2200x600x900
2200	700	900	MEIF220709	MEI Frame 2200x700x900
2200	800	900	MEIF220809	MEI Frame 2200x800x900
2200	900	900	MEIF220909	MEI Frame 2200x900x900
2200	1000	900	MEIF221009	MEI Frame 2200x1000x900
2200	1200	900	MEIF221209	MEI Frame 2200x1200x900
2200	400	1000	MEIF220410	MEI Frame 2200x400x1000
2200	500	1000	MEIF220510	MEI Frame 2200x500x1000
2200	600	1000	MEIF220610	MEI Frame 2200x600x1000
2200	700	1000	MEIF220710	MEI Frame 2200x700x1000
2200	800	1000	MEIF220810	MEI Frame 2200x800x1000
2200	900	1000	MEIF220910	MEI Frame 2200x900x1000
2200	1000	1000	MEIF221010	MEI Frame 2200x1000x1000
2200	1200	1000	MEIF221210	MEI Frame 2200x1200x1000
2200	400	1200	MEIF220412	MEI Frame 2200x400x1200
2200	500	1200	MEIF220512	MEI Frame 2200x500x1200
2200	600	1200	MEIF220612	MEI Frame 2200x600x1200
2200	700	1200	MEIF220712	MEI Frame 2200x700x1200
2200	800	1200	MEIF220812	MEI Frame 2200x800x1200
2200	900	1200	MEIF220912	MEI Frame 2200x900x1200
2200	1000	1200	MEIF221012	MEI Frame 2200x1000x1200
2200	1200	1200	MEIF221212	MEI Frame 2200x1200x1200

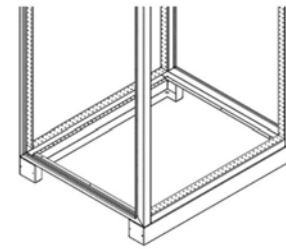
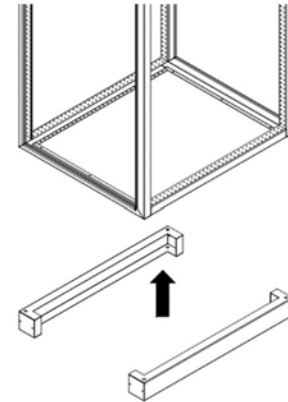


PLINTHS –CHÂN ĐÉ

Side plinth Chân đế hông

Material: mild steel 2.0mm, painted in RAL 7012
Package: 2 pcs side plinth

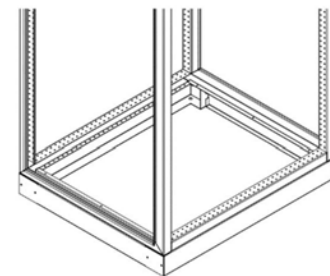
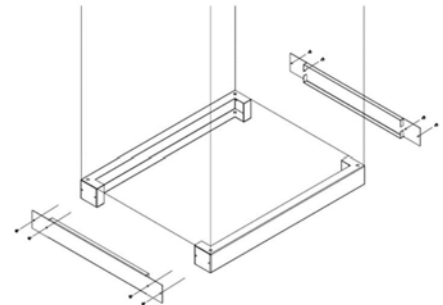
Dimensions	Order codes	Description
D(mm)		
400	MEIEPS04	Side plinth MEI 400 steel 2.0mm
500	MEIEPS05	Side plinth MEI 500 steel 2.0mm
600	MEIEPS06	Side plinth MEI 600 steel 2.0mm
700	MEIEPS07	Side plinth MEI 700 steel 2.0mm
800	MEIEPS08	Side plinth MEI 800 steel 2.0mm
900	MEIEPS09	Side plinth MEI 900 steel 2.0mm
1000	MEIEPS10	Side plinth MEI 1000 steel 2.0mm
1200	MEIEPS12	Side plinth MEI 1200 steel 2.0mm



Front/Rear plinth flanges Che trước/sau chân đế

Material: mild steel 1.5mm, painted in RAL 7012
Package: 2 pcs front/rear plinth flanges

Dimensions	Order codes	Description
W(mm)		
300	MEIEPF03	Front/Rear plinth flanges MEI 300 steel 1.5mm
400	MEIEPF04	Front/Rear plinth flanges MEI 400 steel 1.5mm
500	MEIEPF05	Front/Rear plinth flanges MEI 500 steel 1.5mm
600	MEIEPF06	Front/Rear plinth flanges MEI 600 steel 1.5mm
700	MEIEPF07	Front/Rear plinth flanges MEI 700 steel 1.5mm
800	MEIEPF08	Front/Rear plinth flanges MEI 800 steel 1.5mm
900	MEIEPF09	Front/Rear plinth flanges MEI 900 steel 1.5mm
1000	MEIEPF10	Front/Rear plinth flanges MEI 1000 steel 1.5mm
1200	MEIEPF12	Front/Rear plinth flanges MEI 1200 steel 1.5mm



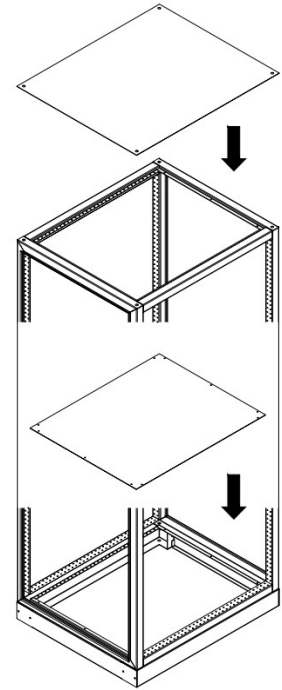
TOP/BOTTOM – NÓC/ĐÁY

Blind Top/Bottom - Nóc/đáy trơn

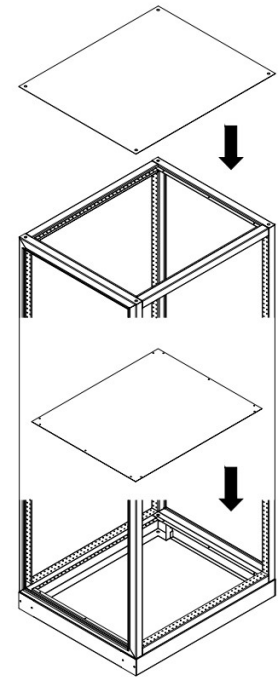
Material: mild steel 1.5mm, painted in RAL 7035

Package: 1 pcs the Blind Top/Bottom

Dimensions		Order codes	Description
W(mm)	D(mm)		
400	400	MEIETB0404M15	Blind Top/Bottom MEI 400x400 steel 1.5mm
400	500	MEIETB0405M15	Blind Top/Bottom MEI 400x500 steel 1.5mm
400	600	MEIETB0406M15	Blind Top/Bottom MEI 400x600 steel 1.5mm
400	700	MEIETB0407M15	Blind Top/Bottom MEI 400x700 steel 1.5mm
400	800	MEIETB0408M15	Blind Top/Bottom MEI 400x800 steel 1.5mm
400	900	MEIETB0409M15	Blind Top/Bottom MEI 400x900 steel 1.5mm
400	1000	MEIETB0410M15	Blind Top/Bottom MEI 400x1000 steel 1.5mm
400	1200	MEIETB0412M15	Blind Top/Bottom MEI 400x1200 steel 1.5mm
500	400	MEIETB0504M15	Blind Top/Bottom MEI 500x400 steel 1.5mm
500	500	MEIETB0505M15	Blind Top/Bottom MEI 500x500 steel 1.5mm
500	600	MEIETB0506M15	Blind Top/Bottom MEI 500x600 steel 1.5mm
500	700	MEIETB0507M15	Blind Top/Bottom MEI 500x700 steel 1.5mm
500	800	MEIETB0508M15	Blind Top/Bottom MEI 500x800 steel 1.5mm
500	900	MEIETB0509M15	Blind Top/Bottom MEI 500x900 steel 1.5mm
500	1000	MEIETB0510M15	Blind Top/Bottom MEI 500x1000 steel 1.5mm
500	1200	MEIETB0512M15	Blind Top/Bottom MEI 500x1200 steel 1.5mm
600	400	MEIETB0604M15	Blind Top/Bottom MEI 600x400 steel 1.5mm
600	500	MEIETB0605M15	Blind Top/Bottom MEI 600x500 steel 1.5mm
600	600	MEIETB0606M15	Blind Top/Bottom MEI 600x600 steel 1.5mm
600	700	MEIETB0607M15	Blind Top/Bottom MEI 600x700 steel 1.5mm
600	800	MEIETB0608M15	Blind Top/Bottom MEI 600x800 steel 1.5mm
600	900	MEIETB0609M15	Blind Top/Bottom MEI 600x900 steel 1.5mm
600	1000	MEIETB0610M15	Blind Top/Bottom MEI 600x1000 steel 1.5mm
600	1200	MEIETB0612M15	Blind Top/Bottom MEI 600x1200 steel 1.5mm
700	400	MEIETB0704M15	Blind Top/Bottom MEI 700x400 steel 1.5mm
700	500	MEIETB0705M15	Blind Top/Bottom MEI 700x500 steel 1.5mm
700	600	MEIETB0706M15	Blind Top/Bottom MEI 700x600 steel 1.5mm
700	700	MEIETB0707M15	Blind Top/Bottom MEI 700x700 steel 1.5mm
700	800	MEIETB0708M15	Blind Top/Bottom MEI 700x800 steel 1.5mm
700	900	MEIETB0709M15	Blind Top/Bottom MEI 700x900 steel 1.5mm
700	1000	MEIETB0710M15	Blind Top/Bottom MEI 700x1000 steel 1.5mm
700	1200	MEIETB0712M15	Blind Top/Bottom MEI 700x1200 steel 1.5mm
800	400	MEIETB0804M15	Blind Top/Bottom MEI 800x400 steel 1.5mm
800	500	MEIETB0805M15	Blind Top/Bottom MEI 800x500 steel 1.5mm
800	600	MEIETB0806M15	Blind Top/Bottom MEI 800x600 steel 1.5mm
800	700	MEIETB0807M15	Blind Top/Bottom MEI 800x700 steel 1.5mm
800	800	MEIETB0808M15	Blind Top/Bottom MEI 800x800 steel 1.5mm
800	900	MEIETB0809M15	Blind Top/Bottom MEI 800x900 steel 1.5mm
800	1000	MEIETB0810M15	Blind Top/Bottom MEI 800x1000 steel 1.5mm
800	1200	MEIETB0812M15	Blind Top/Bottom MEI 800x1200 steel 1.5mm
900	400	MEIETB0904M15	Blind Top/Bottom MEI 900x400 steel 1.5mm
900	500	MEIETB0905M15	Blind Top/Bottom MEI 900x500 steel 1.5mm



900	600	MEIETB0906M15	Blind Top/Bottom MEI 900x600 steel 1.5mm
900	700	MEIETB0907M15	Blind Top/Bottom MEI 900x700 steel 1.5mm
900	800	MEIETB0908M15	Blind Top/Bottom MEI 900x800 steel 1.5mm
900	900	MEIETB0909M15	Blind Top/Bottom MEI 900x900 steel 1.5mm
900	1000	MEIETB0910M15	Blind Top/Bottom MEI 900x1000 steel 1.5mm
900	1200	MEIETB0912M15	Blind Top/Bottom MEI 900x1200 steel 1.5mm
1000	400	MEIETB1004M15	Blind Top/Bottom MEI 1000x400 steel 1.5mm
1000	500	MEIETB1005M15	Blind Top/Bottom MEI 1000x500 steel 1.5mm
1000	600	MEIETB1006M15	Blind Top/Bottom MEI 1000x600 steel 1.5mm
1000	700	MEIETB1007M15	Blind Top/Bottom MEI 1000x700 steel 1.5mm
1000	800	MEIETB1008M15	Blind Top/Bottom MEI 1000x800 steel 1.5mm
1000	900	MEIETB1009M15	Blind Top/Bottom MEI 1000x900 steel 1.5mm
1000	1000	MEIETB1010M15	Blind Top/Bottom MEI 1000x1000 steel 1.5mm
1000	1200	MEIETB1012M15	Blind Top/Bottom MEI 1000x1200 steel 1.5mm
1200	400	MEIETB1204M15	Blind Top/Bottom MEI 1200x400 steel 1.5mm
1200	500	MEIETB1205M15	Blind Top/Bottom MEI 1200x500 steel 1.5mm
1200	600	MEIETB1206M15	Blind Top/Bottom MEI 1200x600 steel 1.5mm
1200	700	MEIETB1207M15	Blind Top/Bottom MEI 1200x700 steel 1.5mm
1200	800	MEIETB1208M15	Blind Top/Bottom MEI 1200x800 steel 1.5mm
1200	900	MEIETB1209M15	Blind Top/Bottom MEI 1200x900 steel 1.5mm
1200	1000	MEIETB1210M15	Blind Top/Bottom MEI 1200x1000 steel 1.5mm
1200	1200	MEIETB1212M15	Blind Top/Bottom MEI 1200x1200 steel 1.5mm

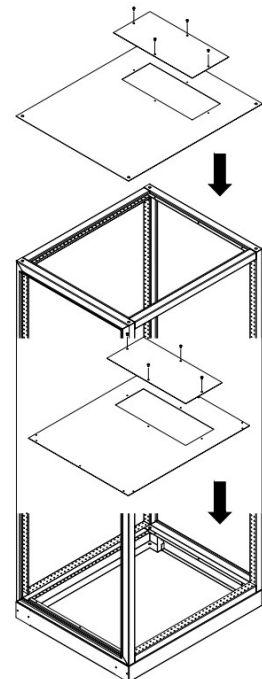


Open Top/Bottom - Nóc/đáy hở

Material: mild steel 1.5mm, painted in RAL 7035

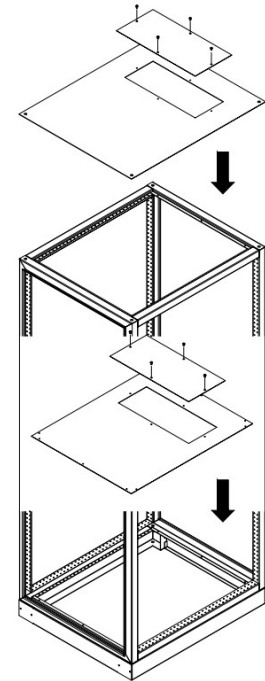
Package: 1 pcs the Open Top/Bottom

Dimensions		Order codes	Description
W(mm)	D(mm)		
400	400	MEIETO0404M15	Open Top/Bottom MEI 400x400 steel 1.5mm
400	500	MEIETO0405M15	Open Top/Bottom MEI 400x500 steel 1.5mm
400	600	MEIETO0406M15	Open Top/Bottom MEI 400x600 steel 1.5mm
400	700	MEIETO0407M15	Open Top/Bottom MEI 400x700 steel 1.5mm
400	800	MEIETO0408M15	Open Top/Bottom MEI 400x800 steel 1.5mm
400	900	MEIETO0409M15	Open Top/Bottom MEI 400x900 steel 1.5mm
400	1000	MEIETO0410M15	Open Top/Bottom MEI 400x1000 steel 1.5mm
400	1200	MEIETO0412M15	Open Top/Bottom MEI 400x1200 steel 1.5mm
500	400	MEIETO0504M15	Open Top/Bottom MEI 500x400 steel 1.5mm
500	500	MEIETO0505M15	Open Top/Bottom MEI 500x500 steel 1.5mm
500	600	MEIETO0506M15	Open Top/Bottom MEI 500x600 steel 1.5mm
500	700	MEIETO0507M15	Open Top/Bottom MEI 500x700 steel 1.5mm
500	800	MEIETO0508M15	Open Top/Bottom MEI 500x800 steel 1.5mm
500	900	MEIETO0509M15	Open Top/Bottom MEI 500x900 steel 1.5mm
500	1000	MEIETO0510M15	Open Top/Bottom MEI 500x1000 steel 1.5mm
500	1200	MEIETO0512M15	Open Top/Bottom MEI 500x1200 steel 1.5mm
600	400	MEIETO0604M15	Open Top/Bottom MEI 600x400 steel 1.5mm
600	500	MEIETO0605M15	Open Top/Bottom MEI 600x500 steel 1.5mm
600	600	MEIETO0606M15	Open Top/Bottom MEI 600x600 steel 1.5mm





600	700	MEIETO0607M15	Open Top/Bottom MEI 600x700 steel 1.5mm
600	800	MEIETO0608M15	Open Top/Bottom MEI 600x800 steel 1.5mm
600	900	MEIETO0609M15	Open Top/Bottom MEI 600x900 steel 1.5mm
600	1000	MEIETO0610M15	Open Top/Bottom MEI 600x1000 steel 1.5mm
600	1200	MEIETO0612M15	Open Top/Bottom MEI 600x1200 steel 1.5mm
700	400	MEIETO0704M15	Open Top/Bottom MEI 700x400 steel 1.5mm
700	500	MEIETO0705M15	Open Top/Bottom MEI 700x500 steel 1.5mm
700	600	MEIETO0706M15	Open Top/Bottom MEI 700x600 steel 1.5mm
700	700	MEIETO0707M15	Open Top/Bottom MEI 700x700 steel 1.5mm
700	800	MEIETO0708M15	Open Top/Bottom MEI 700x800 steel 1.5mm
700	900	MEIETO0709M15	Open Top/Bottom MEI 700x900 steel 1.5mm
700	1000	MEIETO0710M15	Open Top/Bottom MEI 700x1000 steel 1.5mm
700	1200	MEIETO0712M15	Open Top/Bottom MEI 700x1200 steel 1.5mm
800	400	MEIETO0804M15	Open Top/Bottom MEI 800x400 steel 1.5mm
800	500	MEIETO0805M15	Open Top/Bottom MEI 800x500 steel 1.5mm
800	600	MEIETO0806M15	Open Top/Bottom MEI 800x600 steel 1.5mm
800	700	MEIETO0807M15	Open Top/Bottom MEI 800x700 steel 1.5mm
800	800	MEIETO0808M15	Open Top/Bottom MEI 800x800 steel 1.5mm
800	900	MEIETO0809M15	Open Top/Bottom MEI 800x900 steel 1.5mm
800	1000	MEIETO0810M15	Open Top/Bottom MEI 800x1000 steel 1.5mm
800	1200	MEIETO0812M15	Open Top/Bottom MEI 800x1200 steel 1.5mm
900	400	MEIETO0904M15	Open Top/Bottom MEI 900x400 steel 1.5mm
900	500	MEIETO0905M15	Open Top/Bottom MEI 900x500 steel 1.5mm
900	600	MEIETO0906M15	Open Top/Bottom MEI 900x600 steel 1.5mm
900	700	MEIETO0907M15	Open Top/Bottom MEI 900x700 steel 1.5mm
900	800	MEIETO0908M15	Open Top/Bottom MEI 900x800 steel 1.5mm
900	900	MEIETO0909M15	Open Top/Bottom MEI 900x900 steel 1.5mm
900	1000	MEIETO0910M15	Open Top/Bottom MEI 900x1000 steel 1.5mm
900	1200	MEIETO0912M15	Open Top/Bottom MEI 900x1200 steel 1.5mm
1000	400	MEIETO1004M15	Open Top/Bottom MEI 1000x400 steel 1.5mm
1000	500	MEIETO1005M15	Open Top/Bottom MEI 1000x500 steel 1.5mm
1000	600	MEIETO1006M15	Open Top/Bottom MEI 1000x600 steel 1.5mm
1000	700	MEIETO1007M15	Open Top/Bottom MEI 1000x700 steel 1.5mm
1000	800	MEIETO1008M15	Open Top/Bottom MEI 1000x800 steel 1.5mm
1000	900	MEIETO1009M15	Open Top/Bottom MEI 1000x900 steel 1.5mm
1000	1000	MEIETO1010M15	Open Top/Bottom MEI 1000x1000 steel 1.5mm
1000	1200	MEIETO1012M15	Open Top/Bottom MEI 1000x1200 steel 1.5mm
1200	400	MEIETO1204M15	Open Top/Bottom MEI 1200x400 steel 1.5mm
1200	500	MEIETO1205M15	Open Top/Bottom MEI 1200x500 steel 1.5mm
1200	600	MEIETO1206M15	Open Top/Bottom MEI 1200x600 steel 1.5mm
1200	700	MEIETO1207M15	Open Top/Bottom MEI 1200x700 steel 1.5mm
1200	800	MEIETO1208M15	Open Top/Bottom MEI 1200x800 steel 1.5mm
1200	900	MEIETO1209M15	Open Top/Bottom MEI 1200x900 steel 1.5mm
1200	1000	MEIETO1210M15	Open Top/Bottom MEI 1200x1000 steel 1.5mm
1200	1200	MEIETO1212M15	Open Top/Bottom MEI 1200x1200 steel 1.5mm

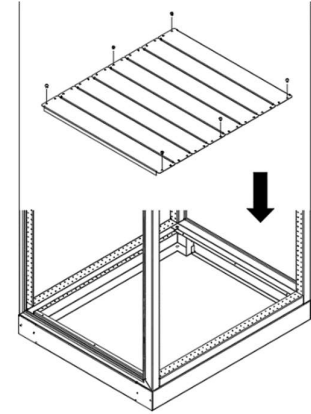


Sliding cable flanges - Đáy trượt ra cáp

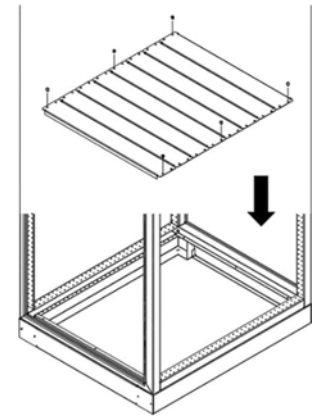
Material: : mild steel 1.5mm, painted in RAL 7035

Package: 1 set the Sliding cable flanges include support

Dimensions		Order codes	Description
W(mm)	D(mm)		
400	400	MEIECS0404	Bottom Sliding flanges MEI 400x400 E1.5mm
400	500	MEIECS0405	Bottom Sliding flanges MEI 400x500 E1.5mm
400	600	MEIECS0406	Bottom Sliding flanges MEI 400x600 E1.5mm
400	700	MEIECS0407	Bottom Sliding flanges MEI 400x700 E1.5mm
400	800	MEIECS0408	Bottom Sliding flanges MEI 400x800 E1.5mm
400	900	MEIECS0409	Bottom Sliding flanges MEI 400x900 E1.5mm
400	1000	MEIECS0410	Bottom Sliding flanges MEI 400x1000 E1.5mm
400	1200	MEIECS0412	Bottom Sliding flanges MEI 400x1200 E1.5mm
500	400	MEIECS0504	Bottom Sliding flanges MEI 500x400 E1.5mm
500	500	MEIECS0505	Bottom Sliding flanges MEI 500x500 E1.5mm
500	600	MEIECS0506	Bottom Sliding flanges MEI 500x600 E1.5mm
500	700	MEIECS0507	Bottom Sliding flanges MEI 500x700 E1.5mm
500	800	MEIECS0508	Bottom Sliding flanges MEI 500x800 E1.5mm
500	900	MEIECS0509	Bottom Sliding flanges MEI 500x900 E1.5mm
500	1000	MEIECS0510	Bottom Sliding flanges MEI 500x1000 E1.5mm
500	1200	MEIECS0512	Bottom Sliding flanges MEI 500x1200 E1.5mm
600	400	MEIECS0604	Bottom Sliding flanges MEI 600x400 E1.5mm
600	500	MEIECS0605	Bottom Sliding flanges MEI 600x500 E1.5mm
600	600	MEIECS0606	Bottom Sliding flanges MEI 600x600 E1.5mm
600	700	MEIECS0607	Bottom Sliding flanges MEI 600x700 E1.5mm
600	800	MEIECS0608	Bottom Sliding flanges MEI 600x800 E1.5mm
600	900	MEIECS0609	Bottom Sliding flanges MEI 600x900 E1.5mm
600	1000	MEIECS0610	Bottom Sliding flanges MEI 600x1000 E1.5mm
600	1200	MEIECS0612	Bottom Sliding flanges MEI 600x1200 E1.5mm
700	400	MEIECS0704	Bottom Sliding flanges MEI 700x400 E1.5mm
700	500	MEIECS0705	Bottom Sliding flanges MEI 700x500 E1.5mm
700	600	MEIECS0706	Bottom Sliding flanges MEI 700x600 E1.5mm
700	700	MEIECS0707	Bottom Sliding flanges MEI 700x700 E1.5mm
700	800	MEIECS0708	Bottom Sliding flanges MEI 700x800 E1.5mm
700	900	MEIECS0709	Bottom Sliding flanges MEI 700x900 E1.5mm
700	1000	MEIECS0710	Bottom Sliding flanges MEI 700x1000 E1.5mm
700	1200	MEIECS0712	Bottom Sliding flanges MEI 700x1200 E1.5mm
800	400	MEIECS0804	Bottom Sliding flanges MEI 800x400 E1.5mm
800	500	MEIECS0805	Bottom Sliding flanges MEI 800x500 E1.5mm
800	600	MEIECS0806	Bottom Sliding flanges MEI 800x600 E1.5mm
800	700	MEIECS0807	Bottom Sliding flanges MEI 800x700 E1.5mm
800	800	MEIECS0808	Bottom Sliding flanges MEI 800x800 E1.5mm
800	900	MEIECS0809	Bottom Sliding flanges MEI 800x900 E1.5mm
800	1000	MEIECS0810	Bottom Sliding flanges MEI 800x1000 E1.5mm
800	1200	MEIECS0812	Bottom Sliding flanges MEI 800x1200 E1.5mm
900	400	MEIECS0904	Bottom Sliding flanges MEI 900x400 E1.5mm
900	500	MEIECS0905	Bottom Sliding flanges MEI 900x500 E1.5mm
900	600	MEIECS0906	Bottom Sliding flanges MEI 900x600 E1.5mm
900	700	MEIECS0907	Bottom Sliding flanges MEI 900x700 E1.5mm



900	800	MEIECS0908	Bottom Sliding flanges MEI 900x800 E1.5mm
900	900	MEIECS0909	Bottom Sliding flanges MEI 900x900 E1.5mm
900	1000	MEIECS0910	Bottom Sliding flanges MEI 900x1000 E1.5mm
900	1200	MEIECS0912	Bottom Sliding flanges MEI 900x1200 E1.5mm
1000	400	MEIECS1004	Bottom Sliding flanges MEI 1000x400 E1.5mm
1000	500	MEIECS1005	Bottom Sliding flanges MEI 1000x500 E1.5mm
1000	600	MEIECS1006	Bottom Sliding flanges MEI 1000x600 E1.5mm
1000	700	MEIECS1007	Bottom Sliding flanges MEI 1000x700 E1.5mm
1000	800	MEIECS1008	Bottom Sliding flanges MEI 1000x800 E1.5mm
1000	900	MEIECS1009	Bottom Sliding flanges MEI 1000x900 E1.5mm
1000	1000	MEIECS1010	Bottom Sliding flanges MEI 1000x1000 E1.5mm
1000	1200	MEIECS1012	Bottom Sliding flanges MEI 1000x1200 E1.5mm
1200	400	MEIECS1204	Bottom Sliding flanges MEI 1200x400 E1.5mm
1200	500	MEIECS1205	Bottom Sliding flanges MEI 1200x500 E1.5mm
1200	600	MEIECS1206	Bottom Sliding flanges MEI 1200x600 E1.5mm
1200	700	MEIECS1207	Bottom Sliding flanges MEI 1200x700 E1.5mm
1200	800	MEIECS1208	Bottom Sliding flanges MEI 1200x800 E1.5mm
1200	900	MEIECS1209	Bottom Sliding flanges MEI 1200x900 E1.5mm
1200	1000	MEIECS1210	Bottom Sliding flanges MEI 1200x1000 E1.5mm
1200	1200	MEIECS1212	Bottom Sliding flanges MEI 1200x1200 E1.5mm

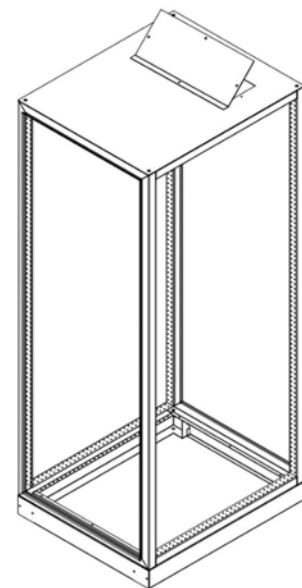


Blind top arc fault - Nóc trơn bảo vệ hồ quang arc

Material: Material: : mild steel 1.5mm, painted in RAL 7035

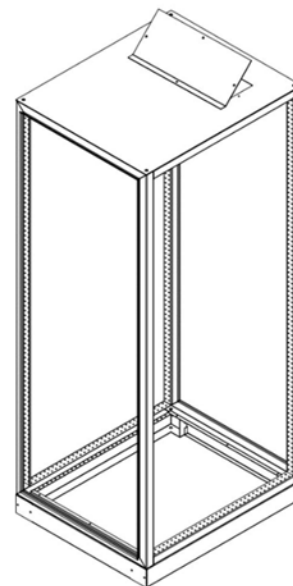
Package: 1 pcs the Blind top arc fault

Dimensions		Order codes	Description
W(mm)	D(mm)		
400	400	MEIETA0404M15	Blind top arc fault MEI 400x400 steel 1.5mm
400	500	MEIETA0405M15	Blind top arc fault MEI 400x500 steel 1.5mm
400	600	MEIETA0406M15	Blind top arc fault MEI 400x600 steel 1.5mm
400	700	MEIETA0407M15	Blind top arc fault MEI 400x700 steel 1.5mm
400	800	MEIETA0408M15	Blind top arc fault MEI 400x800 steel 1.5mm
400	900	MEIETA0409M15	Blind top arc fault MEI 400x900 steel 1.5mm
400	1000	MEIETA0410M15	Blind top arc fault MEI 400x1000 steel 1.5mm
400	1200	MEIETA0412M15	Blind top arc fault MEI 400x1200 steel 1.5mm
500	400	MEIETA0504M15	Blind top arc fault MEI 500x400 steel 1.5mm
500	500	MEIETA0505M15	Blind top arc fault MEI 500x500 steel 1.5mm
500	600	MEIETA0506M15	Blind top arc fault MEI 500x600 steel 1.5mm
500	700	MEIETA0507M15	Blind top arc fault MEI 500x700 steel 1.5mm
500	800	MEIETA0508M15	Blind top arc fault MEI 500x800 steel 1.5mm
500	900	MEIETA0509M15	Blind top arc fault MEI 500x900 steel 1.5mm
500	1000	MEIETA0510M15	Blind top arc fault MEI 500x1000 steel 1.5mm
500	1200	MEIETA0512M15	Blind top arc fault MEI 500x1200 steel 1.5mm
600	400	MEIETA0604M15	Blind top arc fault MEI 600x400 steel 1.5mm
600	500	MEIETA0605M15	Blind top arc fault MEI 600x500 steel 1.5mm
600	600	MEIETA0606M15	Blind top arc fault MEI 600x600 steel 1.5mm
600	700	MEIETA0607M15	Blind top arc fault MEI 600x700 steel 1.5mm





600	800	MEIETA0608M15	Blind top arc fault MEI 600x800 steel 1.5mm
600	900	MEIETA0609M15	Blind top arc fault MEI 600x900 steel 1.5mm
600	1000	MEIETA0610M15	Blind top arc fault MEI 600x1000 steel 1.5mm
600	1200	MEIETA0612M15	Blind top arc fault MEI 600x1200 steel 1.5mm
700	400	MEIETA0704M15	Blind top arc fault MEI 700x400 steel 1.5mm
700	500	MEIETA0705M15	Blind top arc fault MEI 700x500 steel 1.5mm
700	600	MEIETA0706M15	Blind top arc fault MEI 700x600 steel 1.5mm
700	700	MEIETA0707M15	Blind top arc fault MEI 700x700 steel 1.5mm
700	800	MEIETA0708M15	Blind top arc fault MEI 700x800 steel 1.5mm
700	900	MEIETA0709M15	Blind top arc fault MEI 700x900 steel 1.5mm
700	1000	MEIETA0710M15	Blind top arc fault MEI 700x1000 steel 1.5mm
700	1200	MEIETA0712M15	Blind top arc fault MEI 700x1200 steel 1.5mm
800	400	MEIETA0804M15	Blind top arc fault MEI 800x400 steel 1.5mm
800	500	MEIETA0805M15	Blind top arc fault MEI 800x500 steel 1.5mm
800	600	MEIETA0806M15	Blind top arc fault MEI 800x600 steel 1.5mm
800	700	MEIETA0807M15	Blind top arc fault MEI 800x700 steel 1.5mm
800	800	MEIETA0808M15	Blind top arc fault MEI 800x800 steel 1.5mm
800	900	MEIETA0809M15	Blind top arc fault MEI 800x900 steel 1.5mm
800	1000	MEIETA0810M15	Blind top arc fault MEI 800x1000 steel 1.5mm
800	1200	MEIETA0812M15	Blind top arc fault MEI 800x1200 steel 1.5mm
900	400	MEIETA0904M15	Blind top arc fault MEI 900x400 steel 1.5mm
900	500	MEIETA0905M15	Blind top arc fault MEI 900x500 steel 1.5mm
900	600	MEIETA0906M15	Blind top arc fault MEI 900x600 steel 1.5mm
900	700	MEIETA0907M15	Blind top arc fault MEI 900x700 steel 1.5mm
900	800	MEIETA0908M15	Blind top arc fault MEI 900x800 steel 1.5mm
900	900	MEIETA0909M15	Blind top arc fault MEI 900x900 steel 1.5mm
900	1000	MEIETA0910M15	Blind top arc fault MEI 900x1000 steel 1.5mm
900	1200	MEIETA0912M15	Blind top arc fault MEI 900x1200 steel 1.5mm
1000	400	MEIETA1004M15	Blind top arc fault MEI 1000x400 steel 1.5mm
1000	500	MEIETA1005M15	Blind top arc fault MEI 1000x500 steel 1.5mm
1000	600	MEIETA1006M15	Blind top arc fault MEI 1000x600 steel 1.5mm
1000	700	MEIETA1007M15	Blind top arc fault MEI 1000x700 steel 1.5mm
1000	800	MEIETA1008M15	Blind top arc fault MEI 1000x800 steel 1.5mm
1000	900	MEIETA1009M15	Blind top arc fault MEI 1000x900 steel 1.5mm
1000	1000	MEIETA1010M15	Blind top arc fault MEI 1000x1000 steel 1.5mm
1000	1200	MEIETA1012M15	Blind top arc fault MEI 1000x1200 steel 1.5mm
1200	400	MEIETA1204M15	Blind top arc fault MEI 1200x400 steel 1.5mm
1200	500	MEIETA1205M15	Blind top arc fault MEI 1200x500 steel 1.5mm
1200	600	MEIETA1206M15	Blind top arc fault MEI 1200x600 steel 1.5mm
1200	700	MEIETA1207M15	Blind top arc fault MEI 1200x700 steel 1.5mm
1200	800	MEIETA1208M15	Blind top arc fault MEI 1200x800 steel 1.5mm
1200	900	MEIETA1209M15	Blind top arc fault MEI 1200x900 steel 1.5mm
1200	1000	MEIETA1210M15	Blind top arc fault MEI 1200x1000 steel 1.5mm
1200	1200	MEIETA1212M15	Blind top arc fault MEI 1200x1200 steel 1.5mm



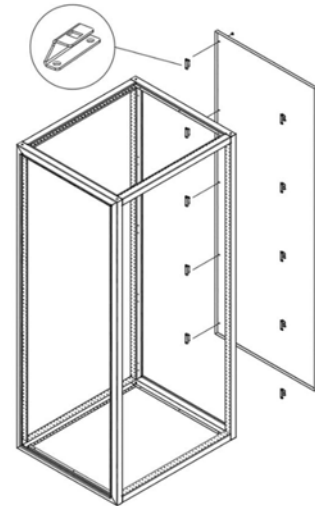
REAR PANEL – TẤM LƯNG

Blind rear panel MEI - Tấm lưng trơn MEI

Material: mild steel 1.5mm, painted in RAL 7035

Package: 1 pcs the Blind rear panel

Dimensions		Order codes	Description
H(mm)	W(mm)		
1800	400	MEIERB1804M15	Blind rear panel MEI 1800x400 steel 1.5mm
1800	500	MEIERB1805M15	Blind rear panel MEI 1800x500 steel 1.5mm
1800	600	MEIERB1806M15	Blind rear panel MEI 1800x600 steel 1.5mm
1800	700	MEIERB1807M15	Blind rear panel MEI 1800x700 steel 1.5mm
1800	800	MEIERB1808M15	Blind rear panel MEI 1800x800 steel 1.5mm
1800	900	MEIERB1809M15	Blind rear panel MEI 1800x900 steel 1.5mm
1800	1000	MEIERB1810M15	Blind rear panel MEI 1800x1000 steel 1.5mm
1800	1200	MEIERB1812M15	Blind rear panel MEI 1800x1200 steel 1.5mm
1900	400	MEIERB1904M15	Blind rear panel MEI 1900x400 steel 1.5mm
1900	500	MEIERB1905M15	Blind rear panel MEI 1900x500 steel 1.5mm
1900	600	MEIERB1906M15	Blind rear panel MEI 1900x600 steel 1.5mm
1900	700	MEIERB1907M15	Blind rear panel MEI 1900x700 steel 1.5mm
1900	800	MEIERB1908M15	Blind rear panel MEI 1900x800 steel 1.5mm
1900	900	MEIERB1909M15	Blind rear panel MEI 1900x900 steel 1.5mm
1900	1000	MEIERB1910M15	Blind rear panel MEI 1900x1000 steel 1.5mm
1900	1200	MEIERB1912M15	Blind rear panel MEI 1900x1200 steel 1.5mm
2000	400	MEIERB2004M15	Blind rear panel MEI 2000x400 steel 1.5mm
2000	500	MEIERB2005M15	Blind rear panel MEI 2000x500 steel 1.5mm
2000	600	MEIERB2006M15	Blind rear panel MEI 2000x600 steel 1.5mm
2000	700	MEIERB2007M15	Blind rear panel MEI 2000x700 steel 1.5mm
2000	800	MEIERB2008M15	Blind rear panel MEI 2000x800 steel 1.5mm
2000	900	MEIERB2009M15	Blind rear panel MEI 2000x900 steel 1.5mm
2000	1000	MEIERB2010M15	Blind rear panel MEI 2000x1000 steel 1.5mm
2000	1200	MEIERB2012M15	Blind rear panel MEI 2000x1200 steel 1.5mm
2100	400	MEIERB2104M15	Blind rear panel MEI 2100x400 steel 1.5mm
2100	500	MEIERB2105M15	Blind rear panel MEI 2100x500 steel 1.5mm
2100	600	MEIERB2106M15	Blind rear panel MEI 2100x600 steel 1.5mm
2100	700	MEIERB2107M15	Blind rear panel MEI 2100x700 steel 1.5mm
2100	800	MEIERB2108M15	Blind rear panel MEI 2100x800 steel 1.5mm
2100	900	MEIERB2109M15	Blind rear panel MEI 2100x900 steel 1.5mm
2100	1000	MEIERB2110M15	Blind rear panel MEI 2100x1000 steel 1.5mm
2100	1200	MEIERB2112M15	Blind rear panel MEI 2100x1200 steel 1.5mm
2200	400	MEIERB2204M15	Blind rear panel MEI 2200x400 steel 1.5mm
2200	500	MEIERB2205M15	Blind rear panel MEI 2200x500 steel 1.5mm
2200	600	MEIERB2206M15	Blind rear panel MEI 2200x600 steel 1.5mm
2200	700	MEIERB2207M15	Blind rear panel MEI 2200x700 steel 1.5mm
2200	800	MEIERB2208M15	Blind rear panel MEI 2200x800 steel 1.5mm
2200	900	MEIERB2209M15	Blind rear panel MEI 2200x900 steel 1.5mm
2200	1000	MEIERB2210M15	Blind rear panel MEI 2200x1000 steel 1.5mm
2200	1200	MEIERB2212M15	Blind rear panel MEI 2200x1200 steel 1.5mm

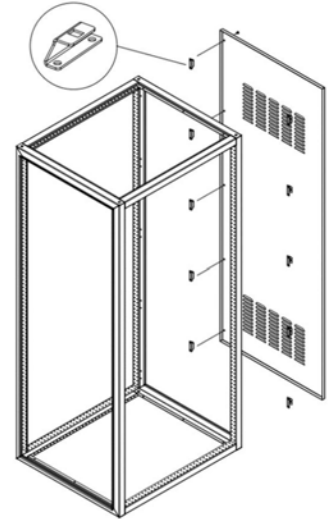


Vented rear panel MEI - Tấm lưng thông gió MEI

Material: mild steel 1.5mm, painted in RAL 7035

Package: 1 pcs the Vented rear panel

Dimensions		Order codes	Description
H(mm)	W(mm)		
1800	400	MEIERV1804M15	Vented rear panel MEI 1800x400 steel 1.5mm
1800	500	MEIERV1805M15	Vented rear panel MEI 1800x500 steel 1.5mm
1800	600	MEIERV1806M15	Vented rear panel MEI 1800x600 steel 1.5mm
1800	700	MEIERV1807M15	Vented rear panel MEI 1800x700 steel 1.5mm
1800	800	MEIERV1808M15	Vented rear panel MEI 1800x800 steel 1.5mm
1800	900	MEIERV1809M15	Vented rear panel MEI 1800x900 steel 1.5mm
1800	1000	MEIERV1810M15	Vented rear panel MEI 1800x1000 steel 1.5mm
1800	1200	MEIERV1812M15	Vented rear panel MEI 1800x1200 steel 1.5mm
1900	400	MEIERV1904M15	Vented rear panel MEI 1900x400 steel 1.5mm
1900	500	MEIERV1905M15	Vented rear panel MEI 1900x500 steel 1.5mm
1900	600	MEIERV1906M15	Vented rear panel MEI 1900x600 steel 1.5mm
1900	700	MEIERV1907M15	Vented rear panel MEI 1900x700 steel 1.5mm
1900	800	MEIERV1908M15	Vented rear panel MEI 1900x800 steel 1.5mm
1900	900	MEIERV1909M15	Vented rear panel MEI 1900x900 steel 1.5mm
1900	1000	MEIERV1910M15	Vented rear panel MEI 1900x1000 steel 1.5mm
1900	1200	MEIERV1912M15	Vented rear panel MEI 1900x1200 steel 1.5mm
2000	400	MEIERV2004M15	Vented rear panel MEI 2000x400 steel 1.5mm
2000	500	MEIERV2005M15	Vented rear panel MEI 2000x500 steel 1.5mm
2000	600	MEIERV2006M15	Vented rear panel MEI 2000x600 steel 1.5mm
2000	700	MEIERV2007M15	Vented rear panel MEI 2000x700 steel 1.5mm
2000	800	MEIERV2008M15	Vented rear panel MEI 2000x800 steel 1.5mm
2000	900	MEIERV2009M15	Vented rear panel MEI 2000x900 steel 1.5mm
2000	1000	MEIERV2010M15	Vented rear panel MEI 2000x1000 steel 1.5mm
2000	1200	MEIERV2012M15	Vented rear panel MEI 2000x1200 steel 1.5mm
2100	400	MEIERV2104M15	Vented rear panel MEI 2100x400 steel 1.5mm
2100	500	MEIERV2105M15	Vented rear panel MEI 2100x500 steel 1.5mm
2100	600	MEIERV2106M15	Vented rear panel MEI 2100x600 steel 1.5mm
2100	700	MEIERV2107M15	Vented rear panel MEI 2100x700 steel 1.5mm
2100	800	MEIERV2108M15	Vented rear panel MEI 2100x800 steel 1.5mm
2100	900	MEIERV2109M15	Vented rear panel MEI 2100x900 steel 1.5mm
2100	1000	MEIERV2110M15	Vented rear panel MEI 2100x1000 steel 1.5mm
2100	1200	MEIERV2112M15	Vented rear panel MEI 2100x1200 steel 1.5mm
2200	400	MEIERV2204M15	Vented rear panel MEI 2200x400 steel 1.5mm
2200	500	MEIERV2205M15	Vented rear panel MEI 2200x500 steel 1.5mm
2200	600	MEIERV2206M15	Vented rear panel MEI 2200x600 steel 1.5mm
2200	700	MEIERV2207M15	Vented rear panel MEI 2200x700 steel 1.5mm
2200	800	MEIERV2208M15	Vented rear panel MEI 2200x800 steel 1.5mm
2200	900	MEIERV2209M15	Vented rear panel MEI 2200x900 steel 1.5mm
2200	1000	MEIERV2210M15	Vented rear panel MEI 2200x1000 steel 1.5mm
2200	1200	MEIERV2212M15	Vented rear panel MEI 2200x1200 steel 1.5mm



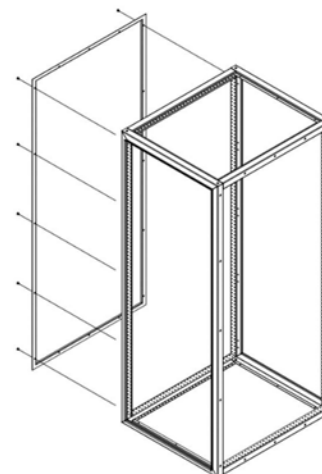
SIDE PANEL – TẮM HÔNG

Blind side panel MEI - Tắm hông trơn MEI

Material: mild steel 1.5mm, painted in RAL 7035

Package: 1 pcs the Blind side panel

Dimensions		Order codes	Description
H(mm)	D(mm)		
1800	400	MEIESB1804M15	Blind side panel MEI 1800x400 steel 1.5mm
1800	500	MEIESB1805M15	Blind side panel MEI 1800x500 steel 1.5mm
1800	600	MEIESB1806M15	Blind side panel MEI 1800x600 steel 1.5mm
1800	700	MEIESB1807M15	Blind side panel MEI 1800x700 steel 1.5mm
1800	800	MEIESB1808M15	Blind side panel MEI 1800x800 steel 1.5mm
1800	900	MEIESB1809M15	Blind side panel MEI 1800x900 steel 1.5mm
1800	1000	MEIESB1810M15	Blind side panel MEI 1800x1000 steel 1.5mm
1800	1200	MEIESB1812M15	Blind side panel MEI 1800x1200 steel 1.5mm
1900	400	MEIESB1904M15	Blind side panel MEI 1900x400 steel 1.5mm
1900	500	MEIESB1905M15	Blind side panel MEI 1900x500 steel 1.5mm
1900	600	MEIESB1906M15	Blind side panel MEI 1900x600 steel 1.5mm
1900	700	MEIESB1907M15	Blind side panel MEI 1900x700 steel 1.5mm
1900	800	MEIESB1908M15	Blind side panel MEI 1900x800 steel 1.5mm
1900	900	MEIESB1909M15	Blind side panel MEI 1900x900 steel 1.5mm
1900	1000	MEIESB1910M15	Blind side panel MEI 1900x1000 steel 1.5mm
1900	1200	MEIESB1912M15	Blind side panel MEI 1900x1200 steel 1.5mm
2000	400	MEIESB2004M15	Blind side panel MEI 2000x400 steel 1.5mm
2000	500	MEIESB2005M15	Blind side panel MEI 2000x500 steel 1.5mm
2000	600	MEIESB2006M15	Blind side panel MEI 2000x600 steel 1.5mm
2000	700	MEIESB2007M15	Blind side panel MEI 2000x700 steel 1.5mm
2000	800	MEIESB2008M15	Blind side panel MEI 2000x800 steel 1.5mm
2000	900	MEIESB2009M15	Blind side panel MEI 2000x900 steel 1.5mm
2000	1000	MEIESB2010M15	Blind side panel MEI 2000x1000 steel 1.5mm
2000	1200	MEIESB2012M15	Blind side panel MEI 2000x1200 steel 1.5mm
2100	400	MEIESB2104M15	Blind side panel MEI 2100x400 steel 1.5mm
2100	500	MEIESB2105M15	Blind side panel MEI 2100x500 steel 1.5mm
2100	600	MEIESB2106M15	Blind side panel MEI 2100x600 steel 1.5mm
2100	700	MEIESB2107M15	Blind side panel MEI 2100x700 steel 1.5mm
2100	800	MEIESB2108M15	Blind side panel MEI 2100x800 steel 1.5mm
2100	900	MEIESB2109M15	Blind side panel MEI 2100x900 steel 1.5mm
2100	1000	MEIESB2110M15	Blind side panel MEI 2100x1000 steel 1.5mm
2100	1200	MEIESB2112M15	Blind side panel MEI 2100x1200 steel 1.5mm
2200	400	MEIESB2204M15	Blind side panel MEI 2200x400 steel 1.5mm
2200	500	MEIESB2205M15	Blind side panel MEI 2200x500 steel 1.5mm
2200	600	MEIESB2206M15	Blind side panel MEI 2200x600 steel 1.5mm
2200	700	MEIESB2207M15	Blind side panel MEI 2200x700 steel 1.5mm
2200	800	MEIESB2208M15	Blind side panel MEI 2200x800 steel 1.5mm
2200	900	MEIESB2209M15	Blind side panel MEI 2200x900 steel 1.5mm
2200	1000	MEIESB2210M15	Blind side panel MEI 2200x1000 steel 1.5mm
2200	1200	MEIESB2212M15	Blind side panel MEI 2200x1200 steel 1.5mm

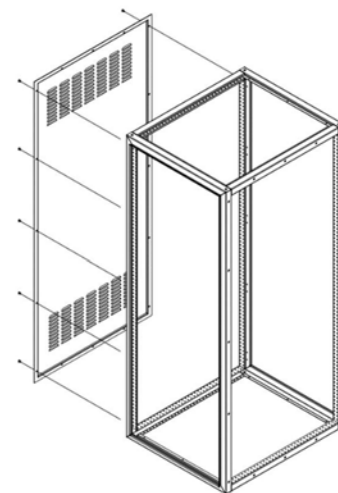


Vented side panel MEI - Tấm hông thông gió MEI

Material: mild steel 1.5mm, painted in RAL 7035

Package: 1 pcs the Vented side panel

Dimensions		Order codes	Description
H(mm)	D(mm)		
1800	400	MEIESV1804M15	Vented side panel MEI 1800x400 steel 1.5mm
1800	500	MEIESV1805M15	Vented side panel MEI 1800x500 steel 1.5mm
1800	600	MEIESV1806M15	Vented side panel MEI 1800x600 steel 1.5mm
1800	700	MEIESV1807M15	Vented side panel MEI 1800x700 steel 1.5mm
1800	800	MEIESV1808M15	Vented side panel MEI 1800x800 steel 1.5mm
1800	900	MEIESV1809M15	Vented side panel MEI 1800x900 steel 1.5mm
1800	1000	MEIESV1810M15	Vented side panel MEI 1800x1000 steel 1.5mm
1800	1200	MEIESV1812M15	Vented side panel MEI 1800x1200 steel 1.5mm
1900	400	MEIESV1904M15	Vented side panel MEI 1900x400 steel 1.5mm
1900	500	MEIESV1905M15	Vented side panel MEI 1900x500 steel 1.5mm
1900	600	MEIESV1906M15	Vented side panel MEI 1900x600 steel 1.5mm
1900	700	MEIESV1907M15	Vented side panel MEI 1900x700 steel 1.5mm
1900	800	MEIESV1908M15	Vented side panel MEI 1900x800 steel 1.5mm
1900	900	MEIESV1909M15	Vented side panel MEI 1900x900 steel 1.5mm
1900	1000	MEIESV1910M15	Vented side panel MEI 1900x1000 steel 1.5mm
1900	1200	MEIESV1912M15	Vented side panel MEI 1900x1200 steel 1.5mm
2000	400	MEIESV2004M15	Vented side panel MEI 2000x400 steel 1.5mm
2000	500	MEIESV2005M15	Vented side panel MEI 2000x500 steel 1.5mm
2000	600	MEIESV2006M15	Vented side panel MEI 2000x600 steel 1.5mm
2000	700	MEIESV2007M15	Vented side panel MEI 2000x700 steel 1.5mm
2000	800	MEIESV2008M15	Vented side panel MEI 2000x800 steel 1.5mm
2000	900	MEIESV2009M15	Vented side panel MEI 2000x900 steel 1.5mm
2000	1000	MEIESV2010M15	Vented side panel MEI 2000x1000 steel 1.5mm
2000	1200	MEIESV2012M15	Vented side panel MEI 2000x1200 steel 1.5mm
2100	400	MEIESV2104M15	Vented side panel MEI 2100x400 steel 1.5mm
2100	500	MEIESV2105M15	Vented side panel MEI 2100x500 steel 1.5mm
2100	600	MEIESV2106M15	Vented side panel MEI 2100x600 steel 1.5mm
2100	700	MEIESV2107M15	Vented side panel MEI 2100x700 steel 1.5mm
2100	800	MEIESV2108M15	Vented side panel MEI 2100x800 steel 1.5mm
2100	900	MEIESV2109M15	Vented side panel MEI 2100x900 steel 1.5mm
2100	1000	MEIESV2110M15	Vented side panel MEI 2100x1000 steel 1.5mm
2100	1200	MEIESV2112M15	Vented side panel MEI 2100x1200 steel 1.5mm
2200	400	MEIESV2204M15	Vented side panel MEI 2200x400 steel 1.5mm
2200	500	MEIESV2205M15	Vented side panel MEI 2200x500 steel 1.5mm
2200	600	MEIESV2206M15	Vented side panel MEI 2200x600 steel 1.5mm
2200	700	MEIESV2207M15	Vented side panel MEI 2200x700 steel 1.5mm
2200	800	MEIESV2208M15	Vented side panel MEI 2200x800 steel 1.5mm
2200	900	MEIESV2209M15	Vented side panel MEI 2200x900 steel 1.5mm
2200	1000	MEIESV2210M15	Vented side panel MEI 2200x1000 steel 1.5mm
2200	1200	MEIESV2212M15	Vented side panel MEI 2200x1200 steel 1.5mm

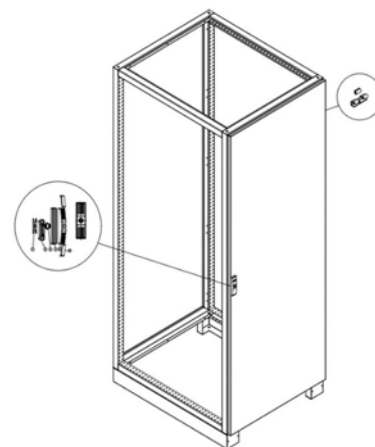


BLIND SINGLE DOOR – CỬA ĐƠN TRƠN

Material: mild steel 2.0mm, painted in RAL 7035

Package: 1 pcs the Blind door, 1 set of lock, 4set hinges and door stiffeners

Dimensions		Order codes	Description
H(mm)	W(mm)		
1800	300	MEIEDB1803M20	Blind door MEI 1800x300 steel 2.0mm
1800	400	MEIEDB1804M20	Blind door MEI 1800x400 steel 2.0mm
1800	500	MEIEDB1805M20	Blind door MEI 1800x500 steel 2.0mm
1800	600	MEIEDB1806M20	Blind door MEI 1800x600 steel 2.0mm
1800	700	MEIEDB1807M20	Blind door MEI 1800x700 steel 2.0mm
1800	800	MEIEDB1808M20	Blind door MEI 1800x800 steel 2.0mm
1800	900	MEIEDB1809M20	Blind door MEI 1800x900 steel 2.0mm
1800	1000	MEIEDB1810M20	Blind door MEI 1800x1000 steel 2.0mm
1900	300	MEIEDB1903M20	Blind door MEI 1900x300 steel 2.0mm
1900	400	MEIEDB1904M20	Blind door MEI 1900x400 steel 2.0mm
1900	500	MEIEDB1905M20	Blind door MEI 1900x500 steel 2.0mm
1900	600	MEIEDB1906M20	Blind door MEI 1900x600 steel 2.0mm
1900	700	MEIEDB1907M20	Blind door MEI 1900x700 steel 2.0mm
1900	800	MEIEDB1908M20	Blind door MEI 1900x800 steel 2.0mm
1900	900	MEIEDB1909M20	Blind door MEI 1900x900 steel 2.0mm
1900	1000	MEIEDB1910M20	Blind door MEI 1900x1000 steel 2.0mm
2000	300	MEIEDB2003M20	Blind door MEI 2000x300 steel 2.0mm
2000	400	MEIEDB2004M20	Blind door MEI 2000x400 steel 2.0mm
2000	500	MEIEDB2005M20	Blind door MEI 2000x500 steel 2.0mm
2000	600	MEIEDB2006M20	Blind door MEI 2000x600 steel 2.0mm
2000	700	MEIEDB2007M20	Blind door MEI 2000x700 steel 2.0mm
2000	800	MEIEDB2008M20	Blind door MEI 2000x800 steel 2.0mm
2000	900	MEIEDB2009M20	Blind door MEI 2000x900 steel 2.0mm
2000	1000	MEIEDB2010M20	Blind door MEI 2000x1000 steel 2.0mm
2100	300	MEIEDB2103M20	Blind door MEI 2100x300 steel 2.0mm
2100	400	MEIEDB2104M20	Blind door MEI 2100x400 steel 2.0mm
2100	500	MEIEDB2105M20	Blind door MEI 2100x500 steel 2.0mm
2100	600	MEIEDB2106M20	Blind door MEI 2100x600 steel 2.0mm
2100	700	MEIEDB2107M20	Blind door MEI 2100x700 steel 2.0mm
2100	800	MEIEDB2108M20	Blind door MEI 2100x800 steel 2.0mm
2100	900	MEIEDB2109M20	Blind door MEI 2100x900 steel 2.0mm
2100	1000	MEIEDB2110M20	Blind door MEI 2100x1000 steel 2.0mm
2200	300	MEIEDB2203M20	Blind door MEI 2200x300 steel 2.0mm
2200	400	MEIEDB2204M20	Blind door MEI 2200x400 steel 2.0mm
2200	500	MEIEDB2205M20	Blind door MEI 2200x500 steel 2.0mm
2200	600	MEIEDB2206M20	Blind door MEI 2200x600 steel 2.0mm
2200	700	MEIEDB2207M20	Blind door MEI 2200x700 steel 2.0mm
2200	800	MEIEDB2208M20	Blind door MEI 2200x800 steel 2.0mm
2200	900	MEIEDB2209M20	Blind door MEI 2200x900 steel 2.0mm
2200	1000	MEIEDB2210M20	Blind door MEI 2200x1000 steel 2.0mm

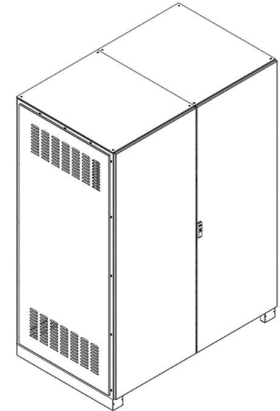


BLIND DOUBLE DOOR – CỬA ĐÔI TRƠN

Material: mild steel 2.0mm, painted in RAL 7035

Package: 1 set of blind door with overlapping and door with handle, 8set hinges and door stiffeners

Dimensions		Order codes	Description
H(mm)	W(mm)		
1800	1000	MEIEDD1810M20	Blind double door MEI 1800x1000 steel 2.0mm
1900	1000	MEIEDD1910M20	Blind double door MEI 1900x1000 steel 2.0mm
2000	1000	MEIEDD2010M20	Blind double door MEI 2000x1000 steel 2.0mm
2100	1000	MEIEDD2110M20	Blind double door MEI 2100x1000 steel 2.0mm
2200	1000	MEIEDD2210M20	Blind double door MEI 2200x1000 steel 2.0mm
1800	1200	MEIEDD1812M20	Blind double door MEI 1800x1200 steel 2.0mm
1900	1200	MEIEDD1912M20	Blind double door MEI 1900x1200 steel 2.0mm
2000	1200	MEIEDD2012M20	Blind double door MEI 2000x1200 steel 2.0mm
2100	1200	MEIEDD2112M20	Blind double door MEI 2100x1200 steel 2.0mm
2200	1200	MEIEDD2212M20	Blind double door MEI 2200x1200 steel 2.0mm

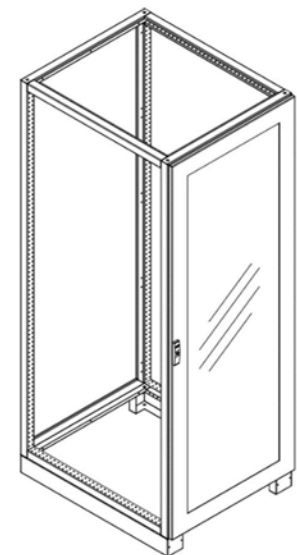


GLASS DOOR – CỬA KÍNH

Material: mild steel 2.0mm, painted in RAL 7035

Package: 1 pcs the Glass door, 1 set of lock, 4set hinges and door stiffeners

Dimensions		Order codes	Description
H(mm)	W(mm)		
1800	600	MEIEDG1806M20	Glass door MEI 1800x600 steel 2.0mm
1800	700	MEIEDG1807M20	Glass door MEI 1800x700 steel 2.0mm
1800	800	MEIEDG1808M20	Glass door MEI 1800x800 steel 2.0mm
1800	900	MEIEDG1809M20	Glass door MEI 1800x900 steel 2.0mm
1800	1000	MEIEDG1810M20	Glass door MEI 1800x1000 steel 2.0mm
1900	600	MEIEDG1906M20	Glass door MEI 1900x600 steel 2.0mm
1900	700	MEIEDG1907M20	Glass door MEI 1900x700 steel 2.0mm
1900	800	MEIEDG1908M20	Glass door MEI 1900x800 steel 2.0mm
1900	900	MEIEDG1909M20	Glass door MEI 1900x900 steel 2.0mm
1900	1000	MEIEDG1910M20	Glass door MEI 1900x1000 steel 2.0mm
2000	600	MEIEDG2006M20	Glass door MEI 2000x600 steel 2.0mm
2000	700	MEIEDG2007M20	Glass door MEI 2000x700 steel 2.0mm
2000	800	MEIEDG2008M20	Glass door MEI 2000x800 steel 2.0mm
2000	900	MEIEDG2009M20	Glass door MEI 2000x900 steel 2.0mm
2000	1000	MEIEDG2010M20	Glass door MEI 2000x1000 steel 2.0mm
2100	600	MEIEDG2106M20	Glass door MEI 2100x600 steel 2.0mm
2100	700	MEIEDG2107M20	Glass door MEI 2100x700 steel 2.0mm
2100	800	MEIEDG2108M20	Glass door MEI 2100x800 steel 2.0mm
2100	900	MEIEDG2109M20	Glass door MEI 2100x900 steel 2.0mm
2100	1000	MEIEDG2110M20	Glass door MEI 2100x1000 steel 2.0mm
2200	600	MEIEDG2206M20	Glass door MEI 2200x600 steel 2.0mm
2200	700	MEIEDG2207M20	Glass door MEI 2200x700 steel 2.0mm
2200	800	MEIEDG2208M20	Glass door MEI 2200x800 steel 2.0mm
2200	900	MEIEDG2209M20	Glass door MEI 2200x900 steel 2.0mm
2200	1000	MEIEDG2210M20	Glass door MEI 2200x1000 steel 2.0mm



Door accessories – Phụ kiện cửa

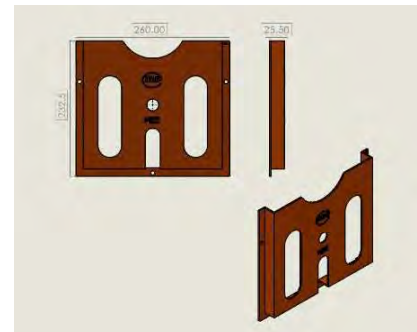
Order codes	Description
EDH	Door hinges
EDK	Door key locks
EDL	Door latch
EDT	Locking bracket
EDS	Hinges kit for panels



Document pocket – Túi đựng hồ sơ

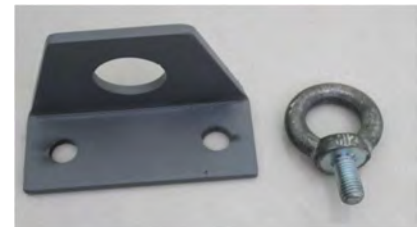
Material: Made of plastic, Orange color, A4 size.
 The pocket can be glued inside the blind door
 Package: 1 pcs document pocket

Order codes	Description
MEEPA4	Orange color, A4 size.



Lifting – Móc cầu

Order codes	Description
MEIELE	No.4 steel M12 eyebolts for lifting
MEIELR	No.2 lifting reinforcements for adjacent switchboards



INTERNAL KITS

KÍT LẮP BÊN TRONG

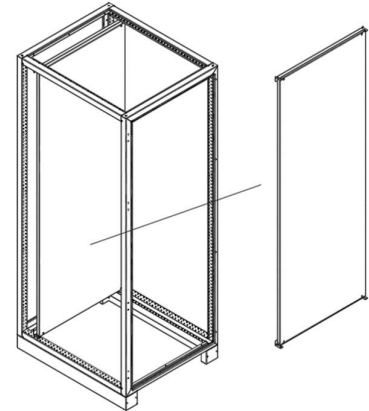
1	Mounting plates total height	Tấm thiết bị tổng chiều cao	28
2	Functional frame	Khung chức năng	29
3	Uprights frame for panels	Khung đứng lắp cửa trong	29
4	Top/Bottom fixed frame for internal	Che trên/dưới cho khung trong	29
5	Blind assembly plate	Tấm lắp thiết bị rời	30
6	Flat blind panel	Cửa trơn tấm thiết bị	31
7	Recessed blind panel	Cửa âm tấm thiết bị	32
8	Kits for DIN rail	Kit lắp DIN rail	32
9	Panels for DIN rail	Cửa DIN rail	33
10	Kits for installation of Air circuit-breaker	Kit lắp máy cắt không khí ACB	33
11	Uprights support for fixing busbar holder	Giá đỡ thanh cái đứng	34
12	Width support for fixing busbar holder	Giá đỡ thanh cái ngang	34
13	Depth support for fixing busbar holder	Giá đỡ thanh cái sâu	34

MOUNTING PLATES TOTAL HEIGHT – TẦM THIẾT TỔNG CHIỀU CAO

Material: 2.0mm Zam or Ecogal sheet metal

Package: 1pcs the mounting plate with crosspieces

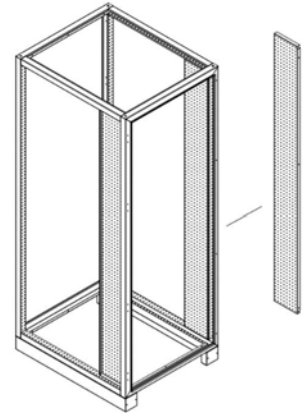
Dimensions		Order codes	Description
H(mm)	W(mm)		
1800	400	MEIKPH1804	Mounting plates total height MEI 1800x400 E2.0mm
1800	500	MEIKPH1805	Mounting plates total height MEI 1800x500 E2.0mm
1800	600	MEIKPH1806	Mounting plates total height MEI 1800x600 E2.0mm
1800	700	MEIKPH1807	Mounting plates total height MEI 1800x700 E2.0mm
1800	800	MEIKPH1808	Mounting plates total height MEI 1800x800 E2.0mm
1800	900	MEIKPH1809	Mounting plates total height MEI 1800x900 E2.0mm
1800	1000	MEIKPH1810	Mounting plates total height MEI 1800x1000 E2.0mm
1800	1200	MEIKPH1812	Mounting plates total height MEI 1800x1200 E2.0mm
1900	400	MEIKPH1904	Mounting plates total height MEI 1900x400 E2.0mm
1900	500	MEIKPH1905	Mounting plates total height MEI 1900x500 E2.0mm
1900	600	MEIKPH1906	Mounting plates total height MEI 1900x600 E2.0mm
1900	700	MEIKPH1907	Mounting plates total height MEI 1900x700 E2.0mm
1900	800	MEIKPH1908	Mounting plates total height MEI 1900x800 E2.0mm
1900	900	MEIKPH1909	Mounting plates total height MEI 1900x900 E2.0mm
1900	1000	MEIKPH1910	Mounting plates total height MEI 1900x1000 E2.0mm
1900	1200	MEIKPH1912	Mounting plates total height MEI 1900x1200 E2.0mm
2000	400	MEIKPH2004	Mounting plates total height MEI 2000x400 E2.0mm
2000	500	MEIKPH2005	Mounting plates total height MEI 2000x500 E2.0mm
2000	600	MEIKPH2006	Mounting plates total height MEI 2000x600 E2.0mm
2000	700	MEIKPH2007	Mounting plates total height MEI 2000x700 E2.0mm
2000	800	MEIKPH2008	Mounting plates total height MEI 2000x800 E2.0mm
2000	900	MEIKPH2009	Mounting plates total height MEI 2000x900 E2.0mm
2000	1000	MEIKPH2010	Mounting plates total height MEI 2000x1000 E2.0mm
2000	1200	MEIKPH2012	Mounting plates total height MEI 2000x1200 E2.0mm
2100	400	MEIKPH2104	Mounting plates total height MEI 2100x400 E2.0mm
2100	500	MEIKPH2105	Mounting plates total height MEI 2100x500 E2.0mm
2100	600	MEIKPH2106	Mounting plates total height MEI 2100x600 E2.0mm
2100	700	MEIKPH2107	Mounting plates total height MEI 2100x700 E2.0mm
2100	800	MEIKPH2108	Mounting plates total height MEI 2100x800 E2.0mm
2100	900	MEIKPH2109	Mounting plates total height MEI 2100x900 E2.0mm
2100	1000	MEIKPH2110	Mounting plates total height MEI 2100x1000 E2.0mm
2100	1200	MEIKPH2112	Mounting plates total height MEI 2100x1200 E2.0mm
2200	400	MEIKPH2204	Mounting plates total height MEI 2200x400 E2.0mm
2200	500	MEIKPH2205	Mounting plates total height MEI 2200x500 E2.0mm
2200	600	MEIKPH2206	Mounting plates total height MEI 2200x600 E2.0mm
2200	700	MEIKPH2207	Mounting plates total height MEI 2200x700 E2.0mm
2200	800	MEIKPH2208	Mounting plates total height MEI 2200x800 E2.0mm
2200	900	MEIKPH2209	Mounting plates total height MEI 2200x900 E2.0mm
2200	1000	MEIKPH2210	Mounting plates total height MEI 2200x1000 E2.0mm
2200	1200	MEIKPH2212	Mounting plates total height MEI 2200x1200 E2.0mm



FUNCTIONAL FRAME – KHUNG CHỨC NĂNG

Material: 1.5mm Zam or Ecogal sheet metal
 Package: 2pcs Functional frame

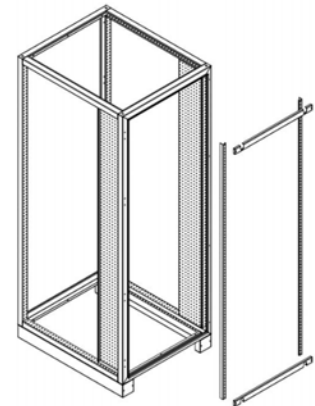
Dimensions	Order codes	Description
H(mm)		
1800	MEIKFF18	Functional frame MEI 1800 E1.5mm
1900	MEIKFF19	Functional frame MEI 1900 E1.5mm
2000	MEIKFF20	Functional frame MEI 2000 E1.5mm
2100	MEIKFF21	Functional frame MEI 2100 E1.5mm
2200	MEIKFF22	Functional frame MEI 2200 E1.5mm



UPRIGHTS FRAME FOR PANEL – KHUNG ĐỨNG LẮP CỬA TRONG

Material: 1.5mm Zam or Ecogal sheet metal
 Package: 2pcs Uprights fixed frame

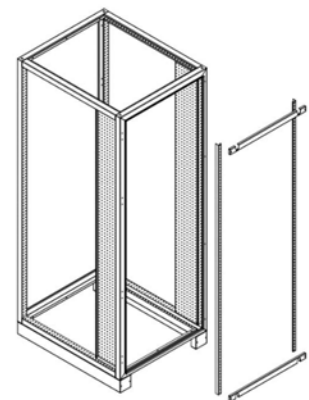
Dimensions	Order codes	Description
H(mm)		
1800	MEIKFU18	Uprights fixed frame for panels MEI 1800 E1.5mm
1900	MEIKFU19	Uprights fixed frame for panels MEI 1900 E1.5mm
2000	MEIKFU20	Uprights fixed frame for panels MEI 2000 E1.5mm
2100	MEIKFU21	Uprights fixed frame for panels MEI 2100 E1.5mm
2200	MEIKFU22	Uprights fixed frame for panels MEI 2200 E1.5mm
2300	MEIKFU23	Uprights fixed frame for panels MEI 2300 E1.5mm



TOP/BOTTOM FIXED FRAME FOR INTERNAL – CHE TRÊN/DƯỚI CHO KHUNG TRONG

Material: 1.5mm Zam or Ecogal sheet metal
 Package: 2pcs Top/Bottom fixed frame

Dimensions	Order codes	Description
W(mm)		
400	MEIKFT04	Top/Bottom fixed frame for internal MEI 400 E1.5mm
500	MEIKFT05	Top/Bottom fixed frame for internal MEI 500 E1.5mm
600	MEIKFT06	Top/Bottom fixed frame for internal MEI 600 E1.5mm
700	MEIKFT07	Top/Bottom fixed frame for internal MEI 700 E1.5mm
800	MEIKFT08	Top/Bottom fixed frame for internal MEI 800 E1.5mm
900	MEIKFT09	Top/Bottom fixed frame for internal MEI 900 E1.5mm
1000	MEIKFT10	Top/Bottom fixed frame for internal MEI 1000 E1.5mm
1200	MEIKFT12	Top/Bottom fixed frame for internal MEI 1200 E1.5mm

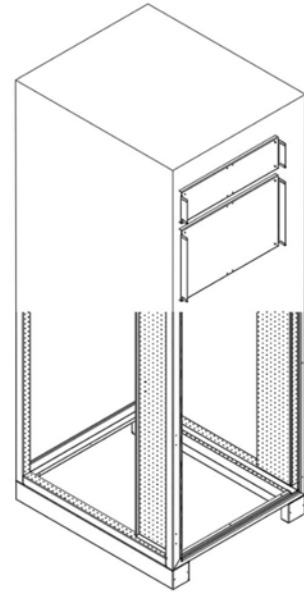


BLIND ASSEMBLY PLATE – TẤM THIẾT BỊ RỜI

Material: 2.0mm Zam or Ecogal sheet metal

Package: 1 pcs Blind assembly plate

Dimensions		Order codes	Description
H(mm)	W(mm)		
200	400	MEIKPM2004	Blind assembly plate MEI 200x400 E2.0mm
300	400	MEIKPM3004	Blind assembly plate MEI 300x400 E2.0mm
400	400	MEIKPM4004	Blind assembly plate MEI 400x400 E2.0mm
500	400	MEIKPM5004	Blind assembly plate MEI 500x400 E2.0mm
600	400	MEIKPM6004	Blind assembly plate MEI 600x400 E2.0mm
200	500	MEIKPM2005	Blind assembly plate MEI 200x500 E2.0mm
300	500	MEIKPM3005	Blind assembly plate MEI 300x500 E2.0mm
400	500	MEIKPM4005	Blind assembly plate MEI 400x500 E2.0mm
500	500	MEIKPM5005	Blind assembly plate MEI 500x500 E2.0mm
600	500	MEIKPM6005	Blind assembly plate MEI 600x500 E2.0mm
200	600	MEIKPM2006	Blind assembly plate MEI 200x600 E2.0mm
300	600	MEIKPM3006	Blind assembly plate MEI 300x600 E2.0mm
400	600	MEIKPM4006	Blind assembly plate MEI 400x600 E2.0mm
500	600	MEIKPM5006	Blind assembly plate MEI 500x600 E2.0mm
600	600	MEIKPM6006	Blind assembly plate MEI 600x600 E2.0mm
200	700	MEIKPM2007	Blind assembly plate MEI 200x700 E2.0mm
300	700	MEIKPM3007	Blind assembly plate MEI 300x700 E2.0mm
400	700	MEIKPM4007	Blind assembly plate MEI 400x700 E2.0mm
500	700	MEIKPM5007	Blind assembly plate MEI 500x700 E2.0mm
600	700	MEIKPM6007	Blind assembly plate MEI 600x700 E2.0mm
200	800	MEIKPM2008	Blind assembly plate MEI 200x800 E2.0mm
300	800	MEIKPM3008	Blind assembly plate MEI 300x800 E2.0mm
400	800	MEIKPM4008	Blind assembly plate MEI 400x800 E2.0mm
500	800	MEIKPM5008	Blind assembly plate MEI 500x800 E2.0mm
600	800	MEIKPM6008	Blind assembly plate MEI 600x800 E2.0mm
200	900	MEIKPM2009	Blind assembly plate MEI 200x900 E2.0mm
300	900	MEIKPM3009	Blind assembly plate MEI 300x900 E2.0mm
400	900	MEIKPM4009	Blind assembly plate MEI 400x900 E2.0mm
500	900	MEIKPM5009	Blind assembly plate MEI 500x900 E2.0mm
600	900	MEIKPM6009	Blind assembly plate MEI 600x900 E2.0mm
200	1000	MEIKPM2010	Blind assembly plate MEI 200x1000 E2.0mm
300	1000	MEIKPM3010	Blind assembly plate MEI 300x1000 E2.0mm
400	1000	MEIKPM4010	Blind assembly plate MEI 400x1000 E2.0mm
500	1000	MEIKPM5010	Blind assembly plate MEI 500x1000 E2.0mm
600	1000	MEIKPM6010	Blind assembly plate MEI 600x1000 E2.0mm

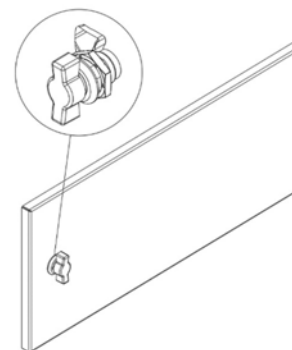


FLAT BLIND PANEL – CỬA TRƠN TẮM THIẾT BỊ

Material: 1.5mm mild steel, painted in RAL 7035

Package: 1 pcs Flat blind panel

Dimensions		Order codes	Description
H(mm)	W(mm)		
200	400	MEIKPB2004M15	Flat blind panel MEI 200x400 steel 1.5mm
300	400	MEIKPB3004M15	Flat blind panel MEI 300x400 steel 1.5mm
400	400	MEIKPB4004M15	Flat blind panel MEI 400x400 steel 1.5mm
500	400	MEIKPB5004M15	Flat blind panel MEI 500x400 steel 1.5mm
600	400	MEIKPB6004M15	Flat blind panel MEI 600x400 steel 1.5mm
200	500	MEIKPB2005M15	Flat blind panel MEI 200x500 steel 1.5mm
300	500	MEIKPB3005M15	Flat blind panel MEI 300x500 steel 1.5mm
400	500	MEIKPB4005M15	Flat blind panel MEI 400x500 steel 1.5mm
500	500	MEIKPB5005M15	Flat blind panel MEI 500x500 steel 1.5mm
600	500	MEIKPB6005M15	Flat blind panel MEI 600x500 steel 1.5mm
200	600	MEIKPB2006M15	Flat blind panel MEI 200x600 steel 1.5mm
300	600	MEIKPB3006M15	Flat blind panel MEI 300x600 steel 1.5mm
400	600	MEIKPB4006M15	Flat blind panel MEI 400x600 steel 1.5mm
500	600	MEIKPB5006M15	Flat blind panel MEI 500x600 steel 1.5mm
600	600	MEIKPB6006M15	Flat blind panel MEI 600x600 steel 1.5mm
200	700	MEIKPB2007M15	Flat blind panel MEI 200x700 steel 1.5mm
300	700	MEIKPB3007M15	Flat blind panel MEI 300x700 steel 1.5mm
400	700	MEIKPB4007M15	Flat blind panel MEI 400x700 steel 1.5mm
500	700	MEIKPB5007M15	Flat blind panel MEI 500x700 steel 1.5mm
600	700	MEIKPB6007M15	Flat blind panel MEI 600x700 steel 1.5mm
200	800	MEIKPB2008M15	Flat blind panel MEI 200x800 steel 1.5mm
300	800	MEIKPB3008M15	Flat blind panel MEI 300x800 steel 1.5mm
400	800	MEIKPB4008M15	Flat blind panel MEI 400x800 steel 1.5mm
500	800	MEIKPB5008M15	Flat blind panel MEI 500x800 steel 1.5mm
600	800	MEIKPB6008M15	Flat blind panel MEI 600x800 steel 1.5mm
200	900	MEIKPB2009M15	Flat blind panel MEI 200x900 steel 1.5mm
300	900	MEIKPB3009M15	Flat blind panel MEI 300x900 steel 1.5mm
400	900	MEIKPB4009M15	Flat blind panel MEI 400x900 steel 1.5mm
500	900	MEIKPB5009M15	Flat blind panel MEI 500x900 steel 1.5mm
600	900	MEIKPB6009M15	Flat blind panel MEI 600x900 steel 1.5mm
200	1000	MEIKPB2010M15	Flat blind panel MEI 200x1000 steel 1.5mm
300	1000	MEIKPB3010M15	Flat blind panel MEI 300x1000 steel 1.5mm
400	1000	MEIKPB4010M15	Flat blind panel MEI 400x1000 steel 1.5mm
500	1000	MEIKPB5010M15	Flat blind panel MEI 500x1000 steel 1.5mm
600	1000	MEIKPB6010M15	Flat blind panel MEI 600x1000 steel 1.5mm

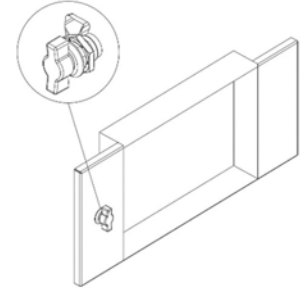


RECESSED BLIND PANEL – CỬA ÂM TẮM THIẾT BỊ

Material: 1.5mm mild steel, painted in RAL 7035

Package: 1 pcs Recessed blind panel

Dimensions		Order codes	Description
H(mm)	W(mm)		
200	400	MEIKPR2004M15	Recessed blind panel MEI 200x400 steel 1.5mm
300	400	MEIKPR3004M15	Recessed blind panel MEI 300x400 steel 1.5mm
400	400	MEIKPR4004M15	Recessed blind panel MEI 400x400 steel 1.5mm
200	500	MEIKPR2005M15	Recessed blind panel MEI 200x500 steel 1.5mm
300	500	MEIKPR3005M15	Recessed blind panel MEI 300x500 steel 1.5mm
400	500	MEIKPR4005M15	Recessed blind panel MEI 400x500 steel 1.5mm
200	600	MEIKPR2006M15	Recessed blind panel MEI 200x600 steel 1.5mm
300	600	MEIKPR3006M15	Recessed blind panel MEI 300x600 steel 1.5mm
400	600	MEIKPR4006M15	Recessed blind panel MEI 400x600 steel 1.5mm
200	700	MEIKPR2007M15	Recessed blind panel MEI 200x700 steel 1.5mm
300	700	MEIKPR3007M15	Recessed blind panel MEI 300x700 steel 1.5mm
400	700	MEIKPR4007M15	Recessed blind panel MEI 400x700 steel 1.5mm
200	800	MEIKPR2008M15	Recessed blind panel MEI 200x800 steel 1.5mm
300	800	MEIKPR3008M15	Recessed blind panel MEI 300x800 steel 1.5mm
400	800	MEIKPR4008M15	Recessed blind panel MEI 400x800 steel 1.5mm
200	900	MEIKPR2009M15	Recessed blind panel MEI 200x900 steel 1.5mm
300	900	MEIKPR3009M15	Recessed blind panel MEI 300x900 steel 1.5mm
400	900	MEIKPR4009M15	Recessed blind panel MEI 400x900 steel 1.5mm
500	900	MEIKPR5009M15	Recessed blind panel MEI 500x900 steel 1.5mm
600	900	MEIKPR6009M15	Recessed blind panel MEI 600x900 steel 1.5mm
200	1000	MEIKPR2010M15	Recessed blind panel MEI 200x1000 steel 1.5mm
300	1000	MEIKPR3010M15	Recessed blind panel MEI 300x1000 steel 1.5mm
400	1000	MEIKPR4010M15	Recessed blind panel MEI 400x1000 steel 1.5mm

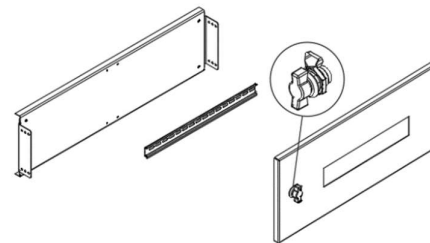


KIT FOR DIN RAIL – KÍT LẮP DIN RAIL

Material: 2.0mm Zam or Ecogal sheet metal

Package: 1pcs Kits for DIN rail

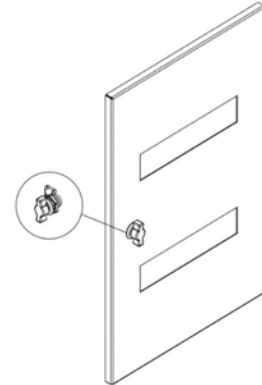
Dimensions	Order codes	Description
W(mm)		
400	MEIKDK04	Kits for DIN rail MEI 400
500	MEIKDK05	Kits for DIN rail MEI 500
600	MEIKDK06	Kits for DIN rail MEI 600
700	MEIKDK07	Kits for DIN rail MEI 700
800	MEIKDK08	Kits for DIN rail MEI 800
900	MEIKDK09	Kits for DIN rail MEI 900
1000	MEIKDK10	Kits for DIN rail MEI 1000
1200	MEIKDK12	Kits for DIN rail MEI 1200



PANEL FOR DIN RAIL – CỬA DIN RAIL

Material: 1.5mm mild steel, painted in RAL 7035
 Package: 1 pcs Panel for DIN rail

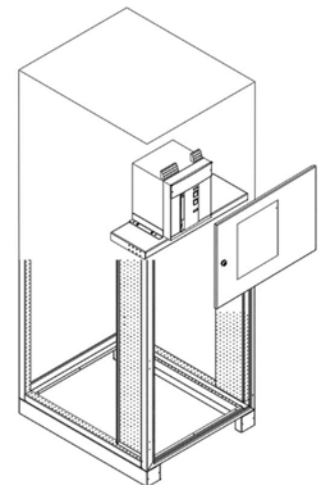
Dimensions		Order codes	Description
H(mm)	W(mm)		
200	400	MEIKDP2004M15	Panel for DIN rail MEI 200 400 steel 1.5mm
200	500	MEIKDP2005M15	Panel for DIN rail MEI 200 500 steel 1.5mm
200	600	MEIKDP2006M15	Panel for DIN rail MEI 200 600 steel 1.5mm
200	700	MEIKDP2007M15	Panel for DIN rail MEI 200 700 steel 1.5mm
200	800	MEIKDP2008M15	Panel for DIN rail MEI 200 800 steel 1.5mm
200	900	MEIKDP2009M15	Panel for DIN rail MEI 200 900 steel 1.5mm
200	1000	MEIKDP2010M15	Panel for DIN rail MEI 200 1000 steel 1.5mm
200	1200	MEIKDP2012M15	Panel for DIN rail MEI 200 1200 steel 1.5mm
300	400	MEIKDP3004M15	Panel for DIN rail MEI 300 400 steel 1.5mm
300	500	MEIKDP3005M15	Panel for DIN rail MEI 300 500 steel 1.5mm
300	600	MEIKDP3006M15	Panel for DIN rail MEI 300 600 steel 1.5mm
300	700	MEIKDP3007M15	Panel for DIN rail MEI 300 700 steel 1.5mm
300	800	MEIKDP3008M15	Panel for DIN rail MEI 300 800 steel 1.5mm
300	900	MEIKDP3009M15	Panel for DIN rail MEI 300 900 steel 1.5mm
300	1000	MEIKDP3010M15	Panel for DIN rail MEI 300 1000 steel 1.5mm
300	1200	MEIKDP3012M15	Panel for DIN rail MEI 300 1200 steel 1.5mm



KITS FOR ACB INSTALLATION – KÍT LẮP ACB

Material: 2.0mm Zam or Ecogal sheet metal
 Package: 1pcs Kit for installing ACB

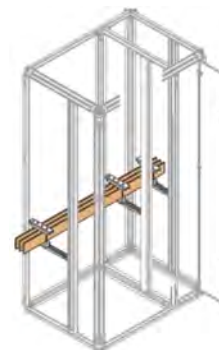
Dimensions	Order codes	Description
W(mm)		
600	MEIKAK06	Kit for installing ACB W600
700	MEIKAK07	Kit for installing ACB W700
800	MEIKAK08	Kit for installing ACB W800
900	MEIKAK09	Kit for installing ACB W900
1000	MEIKAK10	Kit for installing ACB W1000
1200	MEIKAK12	Kit for installing ACB W1200



UPRIGHTS SUPPORT FOR FIXING BUSBAR – GIÁ ĐỠ THANH CÁI ĐỨNG

Material: 2.0mm Zam or Ecogal sheet metal
 Package: 1pcs Uprights support for fixing busbar

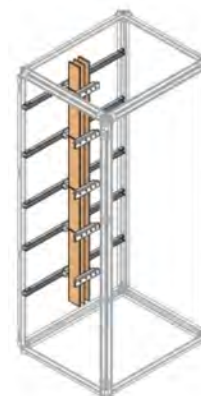
Dimensions	Order codes	Description
H(mm)		
1800	MEIEBU18	Uprights support for fixing busbar holder MEI 1800
1900	MEIEBU19	Uprights support for fixing busbar holder MEI 1900
2000	MEIEBU20	Uprights support for fixing busbar holder MEI 2000
2100	MEIEBU21	Uprights support for fixing busbar holder MEI 2100
2200	MEIEBU22	Uprights support for fixing busbar holder MEI 2200
2300	MEIEBU23	Uprights support for fixing busbar holder MEI 2300



WIDTH SUPPORT FOR FIXING BUSBAR – GIÁ ĐỠ THANH CÁI NGANG

Material: 2.0mm Zam or Ecogal sheet metal
 Package: 1pcs Width support for fixing busbar

Dimensions	Order codes	Description
W(mm)		
400	MEIEBW04	Width support for fixing busbar holder MEI 400
500	MEIEBW05	Width support for fixing busbar holder MEI 500
600	MEIEBW06	Width support for fixing busbar holder MEI 600
700	MEIEBW07	Width support for fixing busbar holder MEI 700
800	MEIEBW08	Width support for fixing busbar holder MEI 800
900	MEIEBW09	Width support for fixing busbar holder MEI 900
1000	MEIEBW10	Width support for fixing busbar holder MEI 1000
1200	MEIEBW12	Width support for fixing busbar holder MEI 1200



DEPTH SUPPORT FOR FIXING BUSBAR – GIÁ ĐỠ THANH CÁI SÂU

Material: 2.0mm Zam or Ecogal sheet metal
 Package: 1pcs Depth support for fixing busbar

Dimensions	Order codes	Description
W(mm)		
400	MEIEBD04	Depth support for fixing busbar holder MEI 400
500	MEIEBD05	Depth support for fixing busbar holder MEI 500
600	MEIEBD06	Depth support for fixing busbar holder MEI 600
700	MEIEBD07	Depth support for fixing busbar holder MEI 700
800	MEIEBD08	Depth support for fixing busbar holder MEI 800
900	MEIEBD09	Depth support for fixing busbar holder MEI 900
1000	MEIEBD10	Depth support for fixing busbar holder MEI 1000
1200	MEIEBD12	Depth support for fixing busbar holder MEI 1200



SEGREGATION

VÁCH NGĂN

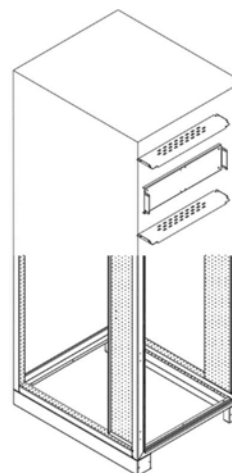
1	Horizontal segregation compartment	Tấm che ngang khung thiết bị	36
2	Front segregation compartment	Tấm che đứng khung thiết bị	36
3	Vertical segregation of terminals	Tấm ngăn đầu cực đứng	37
4	Horizontal segregation of terminals	Tấm ngăn đầu cực ngang	38
5	Segregation for the Air circuit-breaker	Vách ngăn máy cắt ACB	39
6	Air circuit-breaker terminal separator	Tấm ngăn đầu cực ACB	39
7	Horizontal busbar segregation	Vách che ngang busbar	40
8	Front/Rear busbar segregations	Vách che trước/sau busbar	41
9	Front/Rear segregations for structure	Vách che trước/sau khung	42
10	Side segregation for structure	Vách che hông khung tủ	43
11	Roof for structure	Mái che tủ	44

HORIZONTAL SEGREGATION COMPARTMENT – TẦM CHE NGANG KHUNG THIẾT BỊ

Material: 1.2mm Zam or Ecogal sheet metal

Package: 1pcs Horizontal segregation compartment

Dimensions	Order codes	Description
W(mm)		
400	MEISCH04	Horizontal segregation compartment MEI 400
500	MEISCH05	Horizontal segregation compartment MEI 500
600	MEISCH06	Horizontal segregation compartment MEI 600
700	MEISCH07	Horizontal segregation compartment MEI 700
800	MEISCH08	Horizontal segregation compartment MEI 800
900	MEISCH09	Horizontal segregation compartment MEI 900
1000	MEISCH10	Horizontal segregation compartment MEI 1000
1200	MEISCH12	Horizontal segregation compartment MEI 1200

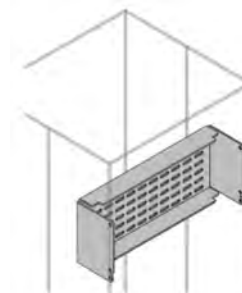


FRONT SEGREGATION COMPARTMENT – TẦM CHE ĐỨNG KHUNG THIẾT BỊ

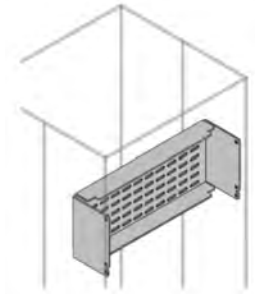
Material: 1.2mm Zam or Ecogal sheet metal

Package: 1pcs Front segregation compartment

Dimensions	Order codes	Description
W(mm)		
400	MEISCF0204	Front segregation compartment 200x400
500	MEISCF0205	Front segregation compartment 200x500
600	MEISCF0206	Front segregation compartment 200x600
700	MEISCF0207	Front segregation compartment 200x700
800	MEISCF0208	Front segregation compartment 200x800
900	MEISCF0209	Front segregation compartment 200x900
1000	MEISCF0210	Front segregation compartment 200x1000
1200	MEISCF0212	Front segregation compartment 200x1200
400	MEISCF0304	Front segregation compartment 300x400
500	MEISCF0305	Front segregation compartment 300x500
600	MEISCF0306	Front segregation compartment 300x600
700	MEISCF0307	Front segregation compartment 300x700
800	MEISCF0308	Front segregation compartment 300x800
900	MEISCF0309	Front segregation compartment 300x900
1000	MEISCF0310	Front segregation compartment 300x1000
1200	MEISCF0312	Front segregation compartment 300x1200
400	MEISCF0404	Front segregation compartment 400x400
500	MEISCF0405	Front segregation compartment 400x500
600	MEISCF0406	Front segregation compartment 400x600
700	MEISCF0407	Front segregation compartment 400x700
800	MEISCF0408	Front segregation compartment 400x800
900	MEISCF0409	Front segregation compartment 400x900
1000	MEISCF0410	Front segregation compartment 400x1000
1200	MEISCF0412	Front segregation compartment 400x1200
400	MEISCF0504	Front segregation compartment 500x400
500	MEISCF0505	Front segregation compartment 500x500
600	MEISCF0506	Front segregation compartment 500x600
700	MEISCF0507	Front segregation compartment 500x700
800	MEISCF0508	Front segregation compartment 500x800



900	MEISCF0509	Front segregation compartment 500x900
1000	MEISCF0510	Front segregation compartment 500x1000
1200	MEISCF0512	Front segregation compartment 500x1200
400	MEISCF0604	Front segregation compartment 600x400
500	MEISCF0605	Front segregation compartment 600x500
600	MEISCF0606	Front segregation compartment 600x600
700	MEISCF0607	Front segregation compartment 600x700
800	MEISCF0608	Front segregation compartment 600x800
900	MEISCF0609	Front segregation compartment 600x900
1000	MEISCF0610	Front segregation compartment 600x1000
1200	MEISCF0612	Front segregation compartment 600x1200

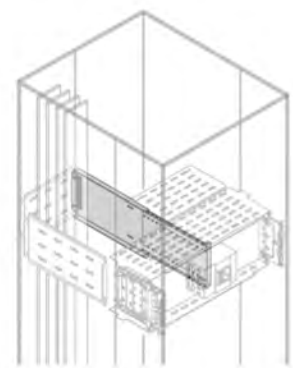


VERTICAL SEGREGATION OF TERMINAL – TẮM NGẮN ĐẦU CỰC ĐỨNG

Material: 1.2mm Zam or Ecogal sheet metal

Package: 1pcs Vertical segregation of terminals

Dimensions		Order codes	Description
H(mm)	D(mm)		
200	400	MEISTV0204	Vertical segregation of terminals 200x400
200	500	MEISTV0205	Vertical segregation of terminals 200x500
200	600	MEISTV0206	Vertical segregation of terminals 200x600
200	700	MEISTV0207	Vertical segregation of terminals 200x700
200	800	MEISTV0208	Vertical segregation of terminals 200x800
200	900	MEISTV0209	Vertical segregation of terminals 200x900
200	1000	MEISTV0210	Vertical segregation of terminals 200x1000
200	1200	MEISTV0212	Vertical segregation of terminals 200x1200
300	400	MEISTV0304	Vertical segregation of terminals 300x400
300	500	MEISTV0305	Vertical segregation of terminals 300x500
300	600	MEISTV0306	Vertical segregation of terminals 300x600
300	700	MEISTV0307	Vertical segregation of terminals 300x700
300	800	MEISTV0308	Vertical segregation of terminals 300x800
300	900	MEISTV0309	Vertical segregation of terminals 300x900
300	1000	MEISTV0310	Vertical segregation of terminals 300x1000
300	1200	MEISTV0312	Vertical segregation of terminals 300x1200
400	400	MEISTV0404	Vertical segregation of terminals 400x400
400	500	MEISTV0405	Vertical segregation of terminals 400x500
400	600	MEISTV0406	Vertical segregation of terminals 400x600
400	700	MEISTV0407	Vertical segregation of terminals 400x700
400	800	MEISTV0408	Vertical segregation of terminals 400x800
400	900	MEISTV0409	Vertical segregation of terminals 400x900
400	1000	MEISTV0410	Vertical segregation of terminals 400x1000
400	1200	MEISTV0412	Vertical segregation of terminals 400x1200
500	400	MEISTV0504	Vertical segregation of terminals 500x400
500	500	MEISTV0505	Vertical segregation of terminals 500x500
500	600	MEISTV0506	Vertical segregation of terminals 500x600
500	700	MEISTV0507	Vertical segregation of terminals 500x700
500	800	MEISTV0508	Vertical segregation of terminals 500x800
500	900	MEISTV0509	Vertical segregation of terminals 500x900
500	1000	MEISTV0510	Vertical segregation of terminals 500x1000
500	1200	MEISTV0512	Vertical segregation of terminals 500x1200
600	400	MEISTV0604	Vertical segregation of terminals 600x400
600	500	MEISTV0605	Vertical segregation of terminals 600x500
600	600	MEISTV0606	Vertical segregation of terminals 600x600
600	700	MEISTV0607	Vertical segregation of terminals 600x700
600	800	MEISTV0608	Vertical segregation of terminals 600x800
600	900	MEISTV0609	Vertical segregation of terminals 600x900
600	1000	MEISTV0610	Vertical segregation of terminals 600x1000
600	1200	MEISTV0612	Vertical segregation of terminals 600x1200

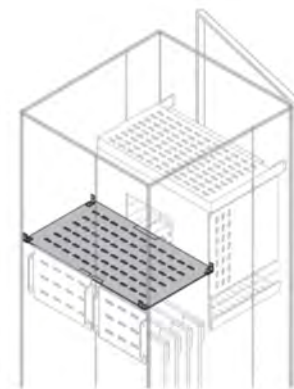


HORIZONTAL SEGREGATION OF TERMINAL – TẦM NGĂN ĐẦU CỰC NGANG

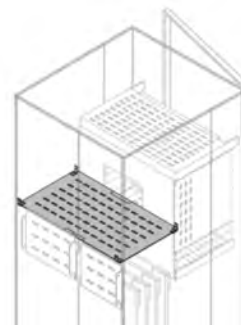
Material: 1.2mm Zam or Ecogal sheet metal

Package: 1pcs Horizontal segregation of terminals

Dimensions		Order codes	Description
W(mm)	D(mm)		
400	400	MEISTH0404	Horizontal segregation of terminals 400x400
400	500	MEISTH0405	Horizontal segregation of terminals 400x500
400	600	MEISTH0406	Horizontal segregation of terminals 400x600
400	700	MEISTH0407	Horizontal segregation of terminals 400x700
400	800	MEISTH0408	Horizontal segregation of terminals 400x800
400	900	MEISTH0409	Horizontal segregation of terminals 400x900
400	1000	MEISTH0410	Horizontal segregation of terminals 400x1000
400	1200	MEISTH0412	Horizontal segregation of terminals 400x1200
500	400	MEISTH0504	Horizontal segregation of terminals 500x400
500	500	MEISTH0505	Horizontal segregation of terminals 500x500
500	600	MEISTH0506	Horizontal segregation of terminals 500x600
500	700	MEISTH0507	Horizontal segregation of terminals 500x700
500	800	MEISTH0508	Horizontal segregation of terminals 500x800
500	900	MEISTH0509	Horizontal segregation of terminals 500x900
500	1000	MEISTH0510	Horizontal segregation of terminals 500x1000
500	1200	MEISTH0512	Horizontal segregation of terminals 500x1200
600	400	MEISTH0604	Horizontal segregation of terminals 600x400
600	500	MEISTH0605	Horizontal segregation of terminals 600x500
600	600	MEISTH0606	Horizontal segregation of terminals 600x600
600	700	MEISTH0607	Horizontal segregation of terminals 600x700
600	800	MEISTH0608	Horizontal segregation of terminals 600x800
600	900	MEISTH0609	Horizontal segregation of terminals 600x900
600	1000	MEISTH0610	Horizontal segregation of terminals 600x1000
600	1200	MEISTH0612	Horizontal segregation of terminals 600x1200
700	400	MEISTH0704	Horizontal segregation of terminals 700x400
700	500	MEISTH0705	Horizontal segregation of terminals 700x500
700	600	MEISTH0706	Horizontal segregation of terminals 700x600
700	700	MEISTH0707	Horizontal segregation of terminals 700x700
700	800	MEISTH0708	Horizontal segregation of terminals 700x800
700	900	MEISTH0709	Horizontal segregation of terminals 700x900
700	1000	MEISTH0710	Horizontal segregation of terminals 700x1000
700	1200	MEISTH0712	Horizontal segregation of terminals 700x1200
800	400	MEISTH0804	Horizontal segregation of terminals 800x400
800	500	MEISTH0805	Horizontal segregation of terminals 800x500
800	600	MEISTH0806	Horizontal segregation of terminals 800x600
800	700	MEISTH0807	Horizontal segregation of terminals 800x700
800	800	MEISTH0808	Horizontal segregation of terminals 800x800
800	900	MEISTH0809	Horizontal segregation of terminals 800x900
800	1000	MEISTH0810	Horizontal segregation of terminals 800x1000
800	1200	MEISTH0812	Horizontal segregation of terminals 800x1200
900	400	MEISTH0904	Horizontal segregation of terminals 900x400
900	500	MEISTH0905	Horizontal segregation of terminals 900x500
900	600	MEISTH0906	Horizontal segregation of terminals 900x600
900	700	MEISTH0907	Horizontal segregation of terminals 900x700
900	800	MEISTH0908	Horizontal segregation of terminals 900x800
900	900	MEISTH0909	Horizontal segregation of terminals 900x900



900	1000	MEISTH0910	Horizontal segregation of terminals 900x1000
900	1200	MEISTH0912	Horizontal segregation of terminals 900x1200
1000	400	MEISTH1004	Horizontal segregation of terminals 1000x400
1000	500	MEISTH1005	Horizontal segregation of terminals 1000x500
1000	600	MEISTH1006	Horizontal segregation of terminals 1000x600
1000	700	MEISTH1007	Horizontal segregation of terminals 1000x700
1000	800	MEISTH1008	Horizontal segregation of terminals 1000x800
1000	900	MEISTH1009	Horizontal segregation of terminals 1000x900
1000	1000	MEISTH1010	Horizontal segregation of terminals 1000x1000
1000	1200	MEISTH1012	Horizontal segregation of terminals 1000x1200

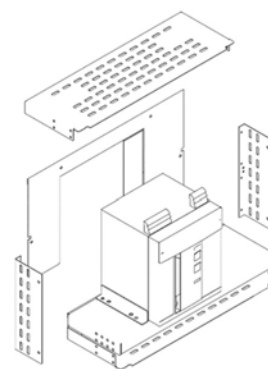


SEGREGATION FOR ACB – VÁCH NGĂN CHO ACB

Material: 1.2mm Zam or Ecogal sheet metal

Package: 1pcs Segregation for ACB

Dimensions			Order codes	Description
H(mm)	W(mm)	D(mm)		
383	250	130	MEISCAF13P	Segregation for ACB Frame 1 3P 630-1600
383	322	221	MEISCAF14P	Segregation for ACB Frame 1 4P 630-1600
500	400	221	MEISCAF23P	Segregation for ACB Frame 2 3P 800-2500
500	490	221	MEISCAF24P	Segregation for ACB Frame 2 4P 800-2500
500	500	221	MEISCAF43P	Segregation for ACB Frame 4 3P 2000-4000
500	600	221	MEISCAF44P	Segregation for ACB Frame 4 4P 2000-4000
500	900	221	MEISCAF63P	Segregation for ACB Frame 6 3P 4000-6300
500	1000	221	MEISCAF64P	Segregation for ACB Frame 6 4P 4000-6300
500	1200	221	MEISCAF64PF	Segregation for ACB Frame 6 4P 4000-6300 Full N

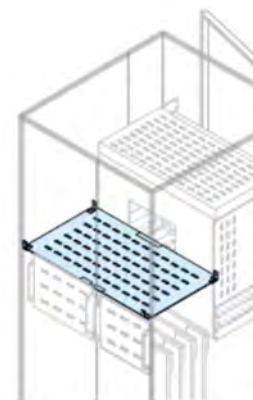


ACB TERMINAL SEPARATOR – TẮM NGĂN ĐẦU CỰC ACB

Material: 1.2mm Zam or Ecogal sheet metal

Package: 1pcs Air circuit-breaker terminal separator

Dimensions		Order codes	Description
W(mm)	D(mm)		
600	600	MEISTA0606	Air circuit-breaker terminal separator 600x600
600	700	MEISTA0607	Air circuit-breaker terminal separator 600x700
600	800	MEISTA0608	Air circuit-breaker terminal separator 600x800
600	900	MEISTA0609	Air circuit-breaker terminal separator 600x900
600	1000	MEISTA0610	Air circuit-breaker terminal separator 600x1000
600	1200	MEISTA0612	Air circuit-breaker terminal separator 600x1200
800	600	MEISTA0806	Air circuit-breaker terminal separator 800x600
800	700	MEISTA0807	Air circuit-breaker terminal separator 800x700
800	800	MEISTA0808	Air circuit-breaker terminal separator 800x800
800	900	MEISTA0809	Air circuit-breaker terminal separator 800x900
800	1000	MEISTA0810	Air circuit-breaker terminal separator 800x1000
800	1200	MEISTA0812	Air circuit-breaker terminal separator 800x1200
1000	600	MEISTA1006	Air circuit-breaker terminal separator 1000x600
1000	700	MEISTA1007	Air circuit-breaker terminal separator 1000x700
1000	800	MEISTA1008	Air circuit-breaker terminal separator 1000x800
1000	900	MEISTA1009	Air circuit-breaker terminal separator 1000x900
1000	1000	MEISTA1010	Air circuit-breaker terminal separator 1000x1000
1000	1200	MEISTA1012	Air circuit-breaker terminal separator 1000x1200
1200	600	MEISTA1206	Air circuit-breaker terminal separator 1200x600



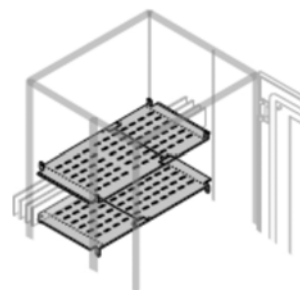
1200	700	MEISTA1207	Air circuit-breaker terminal separator 1200x700
1200	800	MEISTA1208	Air circuit-breaker terminal separator 1200x800
1200	900	MEISTA1209	Air circuit-breaker terminal separator 1200x900
1200	1000	MEISTA1210	Air circuit-breaker terminal separator 1200x1000
1200	1200	MEISTA1212	Air circuit-breaker terminal separator 1200x1200

HORIZONTAL BUSBAR SEGREGATION – VÁCH CHE NGANG BUSBAR

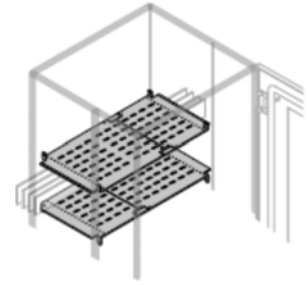
Material: 1.2mm Zam or Ecogal sheet metal

Package: 1pcs Horizontal busbar segregation

Dimensions		Order codes	Description
W(mm)	D(mm)		
400	400	MEISBH0404	Horizontal busbar segregation 400x400
400	500	MEISBH0405	Horizontal busbar segregation 400x500
400	600	MEISBH0406	Horizontal busbar segregation 400x600
400	700	MEISBH0407	Horizontal busbar segregation 400x700
400	800	MEISBH0408	Horizontal busbar segregation 400x800
400	900	MEISBH0409	Horizontal busbar segregation 400x900
400	1000	MEISBH0410	Horizontal busbar segregation 400x1000
400	1200	MEISBH0412	Horizontal busbar segregation 400x1200
500	400	MEISBH0504	Horizontal busbar segregation 500x400
500	500	MEISBH0505	Horizontal busbar segregation 500x500
500	600	MEISBH0506	Horizontal busbar segregation 500x600
500	700	MEISBH0507	Horizontal busbar segregation 500x700
500	800	MEISBH0508	Horizontal busbar segregation 500x800
500	900	MEISBH0509	Horizontal busbar segregation 500x900
500	1000	MEISBH0510	Horizontal busbar segregation 500x1000
500	1200	MEISBH0512	Horizontal busbar segregation 500x1200
600	400	MEISBH0604	Horizontal busbar segregation 600x400
600	500	MEISBH0605	Horizontal busbar segregation 600x500
600	600	MEISBH0606	Horizontal busbar segregation 600x600
600	700	MEISBH0607	Horizontal busbar segregation 600x700
600	800	MEISBH0608	Horizontal busbar segregation 600x800
600	900	MEISBH0609	Horizontal busbar segregation 600x900
600	1000	MEISBH0610	Horizontal busbar segregation 600x1000
600	1200	MEISBH0612	Horizontal busbar segregation 600x1200
700	400	MEISBH0704	Horizontal busbar segregation 700x400
700	500	MEISBH0705	Horizontal busbar segregation 700x500
700	600	MEISBH0706	Horizontal busbar segregation 700x600
700	700	MEISBH0707	Horizontal busbar segregation 700x700
700	800	MEISBH0708	Horizontal busbar segregation 700x800
700	900	MEISBH0709	Horizontal busbar segregation 700x900
700	1000	MEISBH0710	Horizontal busbar segregation 700x1000
700	1200	MEISBH0712	Horizontal busbar segregation 700x1200
800	400	MEISBH0804	Horizontal busbar segregation 800x400
800	500	MEISBH0805	Horizontal busbar segregation 800x500
800	600	MEISBH0806	Horizontal busbar segregation 800x600
800	700	MEISBH0807	Horizontal busbar segregation 800x700
800	800	MEISBH0808	Horizontal busbar segregation 800x800
800	900	MEISBH0809	Horizontal busbar segregation 800x900
800	1000	MEISBH0810	Horizontal busbar segregation 800x1000



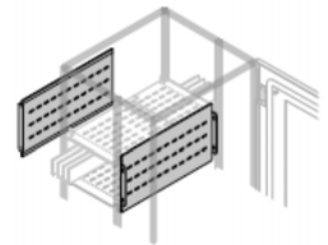
800	1200	MEISBH0812	Horizontal busbar segregation 800x1200
900	400	MEISBH0904	Horizontal busbar segregation 900x400
900	500	MEISBH0905	Horizontal busbar segregation 900x500
900	600	MEISBH0906	Horizontal busbar segregation 900x600
900	700	MEISBH0907	Horizontal busbar segregation 900x700
900	800	MEISBH0908	Horizontal busbar segregation 900x800
900	900	MEISBH0909	Horizontal busbar segregation 900x900
900	1000	MEISBH0910	Horizontal busbar segregation 900x1000
900	1200	MEISBH0912	Horizontal busbar segregation 900x1200
1000	400	MEISBH1004	Horizontal busbar segregation 1000x400
1000	500	MEISBH1005	Horizontal busbar segregation 1000x500
1000	600	MEISBH1006	Horizontal busbar segregation 1000x600
1000	700	MEISBH1007	Horizontal busbar segregation 1000x700
1000	800	MEISBH1008	Horizontal busbar segregation 1000x800
1000	900	MEISBH1009	Horizontal busbar segregation 1000x900
1000	1000	MEISBH1010	Horizontal busbar segregation 1000x1000
1000	1200	MEISBH1012	Horizontal busbar segregation 1000x1200
1200	400	MEISBH1204	Horizontal busbar segregation 1200x400
1200	500	MEISBH1205	Horizontal busbar segregation 1200x500
1200	600	MEISBH1206	Horizontal busbar segregation 1200x600
1200	700	MEISBH1207	Horizontal busbar segregation 1200x700
1200	800	MEISBH1208	Horizontal busbar segregation 1200x800
1200	900	MEISBH1209	Horizontal busbar segregation 1200x900
1200	1000	MEISBH1210	Horizontal busbar segregation 1200x1000
1200	1200	MEISBH1212	Horizontal busbar segregation 1200x1200



FRONT/REAR BUSBAR SEGREGATION – VÁCH CHE TRƯỚC/SAU BUSBAR

Material: 1.2mm Zam or Ecogal sheet metal
 Package: 1pcs Front/Rear busbar segregation

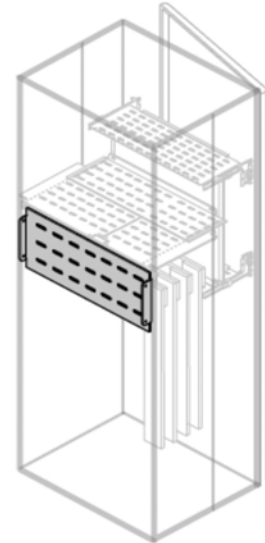
Dimensions		Order codes	Description
H(mm)	W(mm)		
200	400	MEISBF0204	Front/Rear busbar segregation 200x400
200	500	MEISBF0205	Front/Rear busbar segregation 200x500
200	600	MEISBF0206	Front/Rear busbar segregation 200x600
200	700	MEISBF0207	Front/Rear busbar segregation 200x700
200	800	MEISBF0208	Front/Rear busbar segregation 200x800
200	900	MEISBF0209	Front/Rear busbar segregation 200x900
200	1000	MEISBF0210	Front/Rear busbar segregation 200x1000
200	1200	MEISBF0212	Front/Rear busbar segregation 200x1200
300	400	MEISBF0304	Front/Rear busbar segregation 300x400
300	500	MEISBF0305	Front/Rear busbar segregation 300x500
300	600	MEISBF0306	Front/Rear busbar segregation 300x600
300	700	MEISBF0307	Front/Rear busbar segregation 300x700
300	800	MEISBF0308	Front/Rear busbar segregation 300x800
300	900	MEISBF0309	Front/Rear busbar segregation 300x900
300	1000	MEISBF0310	Front/Rear busbar segregation 300x1000
300	1200	MEISBF0312	Front/Rear busbar segregation 300x1200



FRONT/REAR SEGREGATION FOR STRUCTURE – VÁCH CHE TRƯỚC/SAU KHUNG

Material: 1.2mm Zam or Ecogal sheet metal
 Package: 1pcs Side/Rear segregation for structure

Dimensions		Order codes	Description
H(mm)	W(mm)		
100	400	MEISFR0104	Front/Rear segregation for structure 200x400
100	500	MEISFR0105	Front/Rear segregation for structure 200x500
100	600	MEISFR0106	Front/Rear segregation for structure 200x600
100	700	MEISFR0107	Front/Rear segregation for structure 200x700
100	800	MEISFR0108	Front/Rear segregation for structure 200x800
200	400	MEISFR0204	Front/Rear segregation for structure 200x400
200	500	MEISFR0205	Front/Rear segregation for structure 200x500
200	600	MEISFR0206	Front/Rear segregation for structure 200x600
200	700	MEISFR0207	Front/Rear segregation for structure 200x700
200	800	MEISFR0208	Front/Rear segregation for structure 200x800
200	900	MEISFR0209	Front/Rear segregation for structure 200x900
200	1000	MEISFR0210	Front/Rear segregation for structure 200x1000
200	1200	MEISFR0212	Front/Rear segregation for structure 200x1200
300	400	MEISFR0304	Front/Rear segregation for structure 300x400
300	500	MEISFR0305	Front/Rear segregation for structure 300x500
300	600	MEISFR0306	Front/Rear segregation for structure 300x600
300	700	MEISFR0307	Front/Rear segregation for structure 300x700
300	800	MEISFR0308	Front/Rear segregation for structure 300x800
300	900	MEISFR0309	Front/Rear segregation for structure 300x900
300	1000	MEISFR0310	Front/Rear segregation for structure 300x1000
300	1200	MEISFR0312	Front/Rear segregation for structure 300x1200
400	400	MEISFR0404	Front/Rear segregation for structure 300x400
400	500	MEISFR0405	Front/Rear segregation for structure 300x500
400	600	MEISFR0406	Front/Rear segregation for structure 300x600
400	700	MEISFR0407	Front/Rear segregation for structure 300x700
400	800	MEISFR0408	Front/Rear segregation for structure 300x800
400	900	MEISFR0409	Front/Rear segregation for structure 300x900
400	1000	MEISFR0410	Front/Rear segregation for structure 300x1000
400	1200	MEISFR0412	Front/Rear segregation for structure 300x1200
600	400	MEISFR0604	Front/Rear segregation for structure 300x400
600	500	MEISFR0605	Front/Rear segregation for structure 300x500
600	600	MEISFR0606	Front/Rear segregation for structure 300x600
600	700	MEISFR0607	Front/Rear segregation for structure 300x700
600	800	MEISFR0608	Front/Rear segregation for structure 300x800
600	900	MEISFR0609	Front/Rear segregation for structure 300x900
600	1000	MEISFR0610	Front/Rear segregation for structure 300x1000
600	1200	MEISFR0612	Front/Rear segregation for structure 300x1200

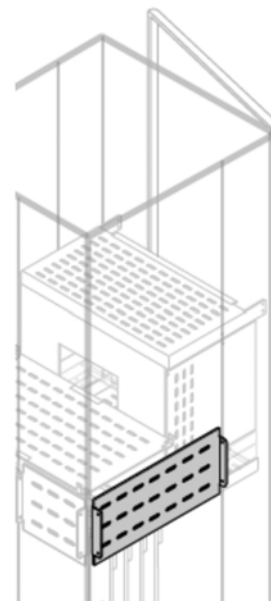


SIDE SEGREGATION FOR STRUCTURE – VÁCH CHE HÔNG KHUNG

Material: 1.2mm Zam or Ecogal sheet metal

Package: 1pcs Side segregation for structure

Dimensions		Order codes	Description
H(mm)	D(mm)		
100	400	MEISSF0104	Side segregation for structure 200x400
100	500	MEISSF0105	Side segregation for structure 200x500
100	600	MEISSF0106	Side segregation for structure 200x600
100	700	MEISSF0107	Side segregation for structure 200x700
100	800	MEISSF0108	Side segregation for structure 200x800
200	400	MEISSF0204	Side segregation for structure 200x400
200	500	MEISSF0205	Side segregation for structure 200x500
200	600	MEISSF0206	Side segregation for structure 200x600
200	700	MEISSF0207	Side segregation for structure 200x700
200	800	MEISSF0208	Side segregation for structure 200x800
200	900	MEISSF0209	Side segregation for structure 200x900
200	1000	MEISSF0210	Side segregation for structure 200x1000
200	1200	MEISSF0212	Side segregation for structure 200x1200
300	400	MEISSF0304	Side segregation for structure 300x400
300	500	MEISSF0305	Side segregation for structure 300x500
300	600	MEISSF0306	Side segregation for structure 300x600
300	700	MEISSF0307	Side segregation for structure 300x700
300	800	MEISSF0308	Side segregation for structure 300x800
300	900	MEISSF0309	Side segregation for structure 300x900
300	1000	MEISSF0310	Side segregation for structure 300x1000
300	1200	MEISSF0312	Side segregation for structure 300x1200
400	400	MEISSF0404	Side segregation for structure 300x400
400	500	MEISSF0405	Side segregation for structure 300x500
400	600	MEISSF0406	Side segregation for structure 300x600
400	700	MEISSF0407	Side segregation for structure 300x700
400	800	MEISSF0408	Side segregation for structure 300x800
400	900	MEISSF0409	Side segregation for structure 300x900
400	1000	MEISSF0410	Side segregation for structure 300x1000
400	1200	MEISSF0412	Side segregation for structure 300x1200
600	400	MEISSF0604	Side segregation for structure 300x400
600	500	MEISSF0605	Side segregation for structure 300x500
600	600	MEISSF0606	Side segregation for structure 300x600
600	700	MEISSF0607	Side segregation for structure 300x700
600	800	MEISSF0608	Side segregation for structure 300x800
600	900	MEISSF0609	Side segregation for structure 300x900
600	1000	MEISSF0610	Side segregation for structure 300x1000
600	1200	MEISSF0612	Side segregation for structure 300x1200

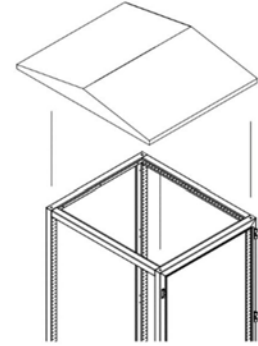


**ROOF FOR STRUCTURE – MÁI CHE TỦ**

Material: 1.5mm mild steel, painted in RAL 7035

Package: 1 pcs roof for structure

Dimensions			Order codes	Description
H(mm)	W(mm)	D(mm)		
100	400	400	MEIERP0404M15	Roof for cabinet MEI 400x400 steel 1.5mm
100	400	500	MEIERP0405M15	Roof for cabinet MEI 400x500 steel 1.5mm
100	400	600	MEIERP0406M15	Roof for cabinet MEI 400x600 steel 1.5mm
100	400	700	MEIERP0407M15	Roof for cabinet MEI 400x700 steel 1.5mm
100	400	800	MEIERP0408M15	Roof for cabinet MEI 400x800 steel 1.5mm
100	400	900	MEIERP0409M15	Roof for cabinet MEI 400x900 steel 1.5mm
100	400	1000	MEIERP0410M15	Roof for cabinet MEI 400x1000 steel 1.5mm
100	400	1200	MEIERP0412M15	Roof for cabinet MEI 400x1200 steel 1.5mm
100	500	400	MEIERP0504M15	Roof for cabinet MEI 500x400 steel 1.5mm
100	500	500	MEIERP0505M15	Roof for cabinet MEI 500x500 steel 1.5mm
100	500	600	MEIERP0506M15	Roof for cabinet MEI 500x600 steel 1.5mm
100	500	700	MEIERP0507M15	Roof for cabinet MEI 500x700 steel 1.5mm
100	500	800	MEIERP0508M15	Roof for cabinet MEI 500x800 steel 1.5mm
100	500	900	MEIERP0509M15	Roof for cabinet MEI 500x900 steel 1.5mm
100	500	1000	MEIERP0510M15	Roof for cabinet MEI 500x1000 steel 1.5mm
100	500	1200	MEIERP0512M15	Roof for cabinet MEI 500x1200 steel 1.5mm
100	600	400	MEIERP0604M15	Roof for cabinet MEI 600x400 steel 1.5mm
100	600	500	MEIERP0605M15	Roof for cabinet MEI 600x500 steel 1.5mm
100	600	600	MEIERP0606M15	Roof for cabinet MEI 600x600 steel 1.5mm
100	600	700	MEIERP0607M15	Roof for cabinet MEI 600x700 steel 1.5mm
100	600	800	MEIERP0608M15	Roof for cabinet MEI 600x800 steel 1.5mm
100	600	900	MEIERP0609M15	Roof for cabinet MEI 600x900 steel 1.5mm
100	600	1000	MEIERP0610M15	Roof for cabinet MEI 600x1000 steel 1.5mm
100	600	1200	MEIERP0612M15	Roof for cabinet MEI 600x1200 steel 1.5mm
100	700	400	MEIERP0704M15	Roof for cabinet MEI 700x400 steel 1.5mm
100	700	500	MEIERP0705M15	Roof for cabinet MEI 700x500 steel 1.5mm
100	700	600	MEIERP0706M15	Roof for cabinet MEI 700x600 steel 1.5mm
100	700	700	MEIERP0707M15	Roof for cabinet MEI 700x700 steel 1.5mm
100	700	800	MEIERP0708M15	Roof for cabinet MEI 700x800 steel 1.5mm
100	700	900	MEIERP0709M15	Roof for cabinet MEI 700x900 steel 1.5mm
100	700	1000	MEIERP0710M15	Roof for cabinet MEI 700x1000 steel 1.5mm
100	700	1200	MEIERP0712M15	Roof for cabinet MEI 700x1200 steel 1.5mm
100	800	400	MEIERP0804M15	Roof for cabinet MEI 800x400 steel 1.5mm
100	800	500	MEIERP0805M15	Roof for cabinet MEI 800x500 steel 1.5mm
100	800	600	MEIERP0806M15	Roof for cabinet MEI 800x600 steel 1.5mm
100	800	700	MEIERP0807M15	Roof for cabinet MEI 800x700 steel 1.5mm
100	800	800	MEIERP0808M15	Roof for cabinet MEI 800x800 steel 1.5mm
100	800	900	MEIERP0809M15	Roof for cabinet MEI 800x900 steel 1.5mm
100	800	1000	MEIERP0810M15	Roof for cabinet MEI 800x1000 steel 1.5mm
100	800	1200	MEIERP0812M15	Roof for cabinet MEI 800x1200 steel 1.5mm
100	900	400	MEIERP0904M15	Roof for cabinet MEI 900x400 steel 1.5mm
100	900	500	MEIERP0905M15	Roof for cabinet MEI 900x500 steel 1.5mm
100	900	600	MEIERP0906M15	Roof for cabinet MEI 900x600 steel 1.5mm
100	900	700	MEIERP0907M15	Roof for cabinet MEI 900x700 steel 1.5mm
100	900	800	MEIERP0908M15	Roof for cabinet MEI 900x800 steel 1.5mm
100	900	900	MEIERP0909M15	Roof for cabinet MEI 900x900 steel 1.5mm
100	900	1000	MEIERP0910M15	Roof for cabinet MEI 900x1000 steel 1.5mm
100	900	1200	MEIERP0912M15	Roof for cabinet MEI 900x1200 steel 1.5mm
100	1000	400	MEIERP1004M15	Roof for cabinet MEI 1000x400 steel 1.5mm
100	1000	500	MEIERP1005M15	Roof for cabinet MEI 1000x500 steel 1.5mm
100	1000	600	MEIERP1006M15	Roof for cabinet MEI 1000x600 steel 1.5mm
100	1000	700	MEIERP1007M15	Roof for cabinet MEI 1000x700 steel 1.5mm
100	1000	800	MEIERP1008M15	Roof for cabinet MEI 1000x800 steel 1.5mm
100	1000	900	MEIERP1009M15	Roof for cabinet MEI 1000x900 steel 1.5mm
100	1000	1000	MEIERP1010M15	Roof for cabinet MEI 1000x1000 steel 1.5mm
100	1000	1200	MEIERP1012M15	Roof for cabinet MEI 1000x1200 steel 1.5mm





QUALITY
EFFICIENCY
PROFESSIONALISM



CÔNG TY CỔ PHẦN KỸ THUẬT CƠ ĐIỆN MEE

MEE MECHANICAL ELECTRICAL ENGINEERING JSC

Lô HT-E10-6-9, Đường số 19, Khu công nghiệp Hiệp Phước, Xã Hiệp Phước, Huyện Nhà Bè, TP. Hồ Chí Minh, Việt Nam
Mã số thuế: 0310439936

Lot HT-E10-6-9, Road 19, Hiep Phuoc Industrial Park, Hiep Phuoc Commune, Nha Be Dist., Ho Chi Minh City, Vietnam
Tax code: 0310439936

www.mee.com.vn

+84 938 848 788

info@mee.com.vn